

3'0 X 6'8 GLAZED PREMIUM FIBERGLASS SINGLE DOOR INSWING / OUTSWING "NON-IMPACT"

EVALUATED FOR USE IN THE STATE OF TEXAS

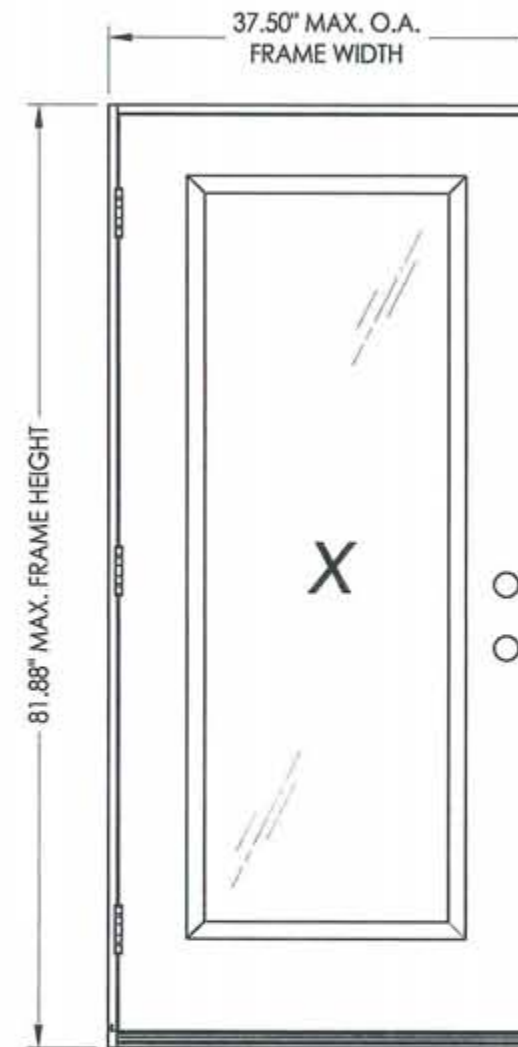
The Trinity Glazed Premium Fiberglass Door described herein complies with the 2006 International Residential Code (IRC), Sections R301 & R613 and the 2006 International Building Code (IBC), Sections 1405.12, 1609, 1714.5, 2403 and 2404 (including Texas revisions) subject to the following conditions:

1. Anchors shall be as listed and spaced as shown in the details. Anchor embedment to base material shall be beyond wall dressing or stucco.
2. When used in areas requiring wind-borne debris protection this product is required to be protected with an impact resistant covering that complies with Section R301.2.1.2 of the IRC and Section 1609.1.2 of the IBC.
3. Allowable design pressure requirements must be equal to or less than the design pressure rating shown in the design pressure chart, sheet 1 of this drawing.
4. Conditions not covered by this drawing are subject to further engineering analysis.

SUPPORTING DOCUMENTS & EVIDENCE

1. Testing per ASTM E330-02 as performed by Testing Evaluation Laboratories Inc. and reported in test report number TEL 08-01370020, TEL 05-0411-6 and TEL 06-0223-3, signed by Wendell W. Haney, P.E.
2. Calculations (Anchoring and Glass load resistance report ASTM E1300-04) prepared by Lyndon F. Schmidt, P.E.
3. Certificate of Participation issued by the National Accreditation and Management Institute, Inc., certifying that Trinity Glass Int'l is manufacturing products within a Quality Assurance program.

| TABLE OF CONTENTS | |
|-------------------|--|
| SHEET # | DESCRIPTION |
| 1 | Typical elevations, design pressures & general notes |
| 2 | Door panel construction details & glazing details |
| 3 | Horizontal cross sections |
| 4 | Vertical cross sections |
| 5 | Frame anchoring |
| 6 | Components |
| 7 | Bill of materials |



| SWING | MAX. FRAME DIMENSION | GLASS TYPE | DESIGN PRESSURE (PSF) | |
|----------|----------------------|------------|-----------------------|----------|
| | | | POSITIVE | NEGATIVE |
| INSWING | 37.50" x 81.88" | G1 | +65.0 | -65.0 |
| OUTSWING | 37.50" x 80.75" | | +65.0 | -65.0 |



Documents Prepared By: Lyndon F. Schmidt, P.E.
TEXAS P.E. #104123

RW BUILDING CONSULTANTS, INC.
P.O. Box 230 Valrico FL 33595
Phone No.: 813.659.9197

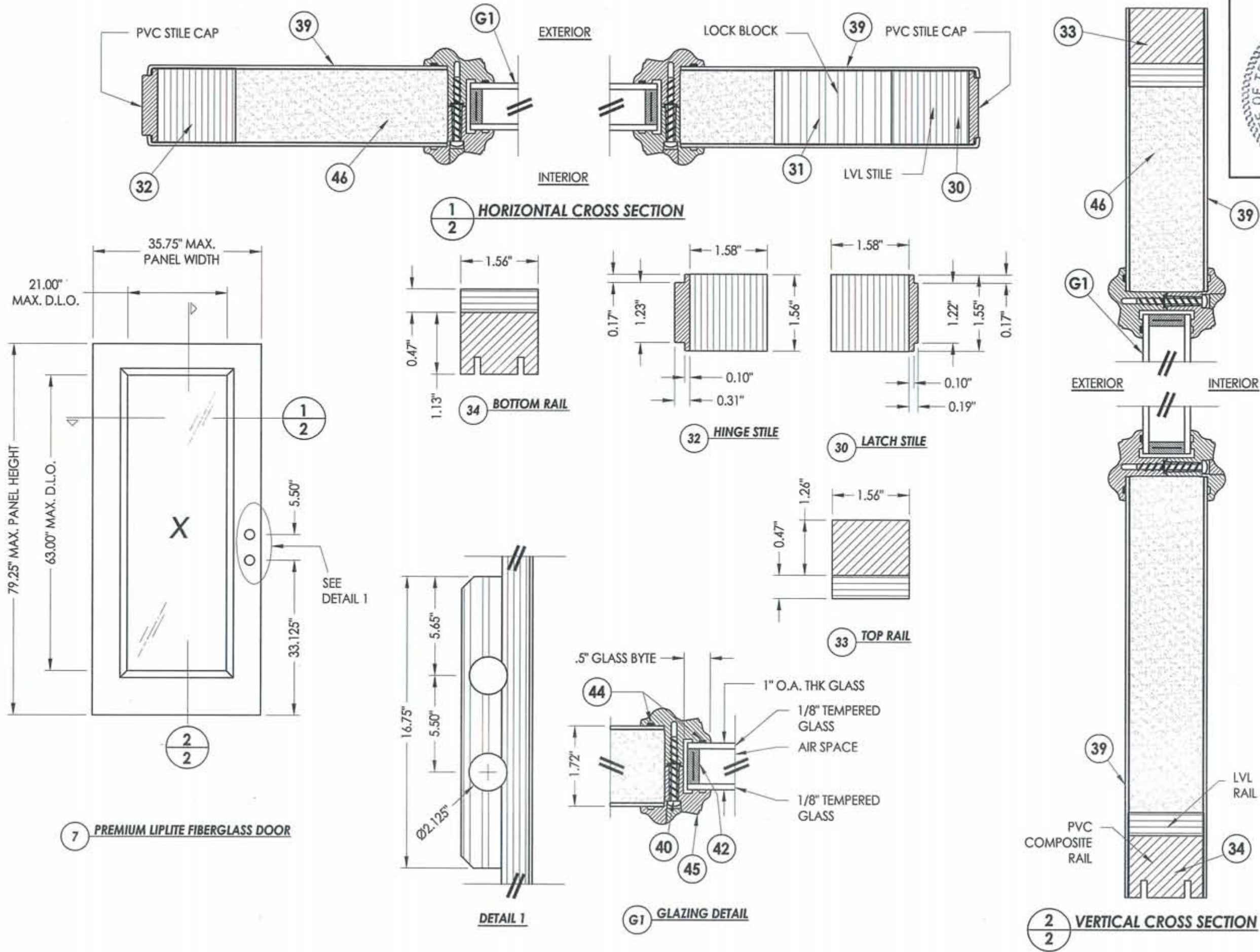
TEXAS BOARD OF PROFESSIONAL ENGINEERS
CERTIFICATE OF REGISTRATION # F-11852

PRODUCT: TRINITY GLASS INT'L PREMIUM LIPLITE FIBERGLASS

PART OR ASSEMBLY: TYPICAL ELEVATION, DESIGN PRESSURES & GENERAL NOTES

| REVISIONS | |
|-----------|---------|
| NO. | DATE |
| 2 | 7/23/09 |
| 1 | 6/28/06 |

DATE: 8/25/05
SCALE: N.T.S.
DWG. BY: EW
CHK. BY: LFS
DRAWING NO.: TX-591
SHEET 1 of 7



Documents Prepared By: Lyndon F. Schmidt, P.E.
 TEXAS P.E. #104123

RW BUILDING CONSULTANTS, INC.
 P.O. Box 230 Valrico FL 33595
 Phone No.: 813.659.9197

TEXAS BOARD OF PROFESSIONAL ENGINEERS
 CERTIFICATE OF REGISTRATION # F-11852

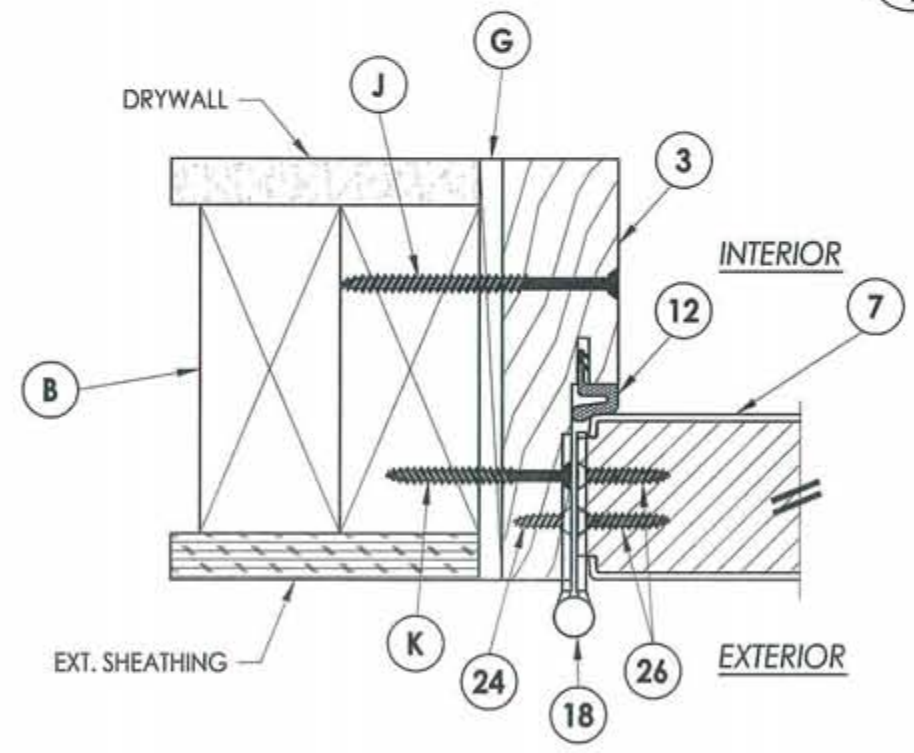
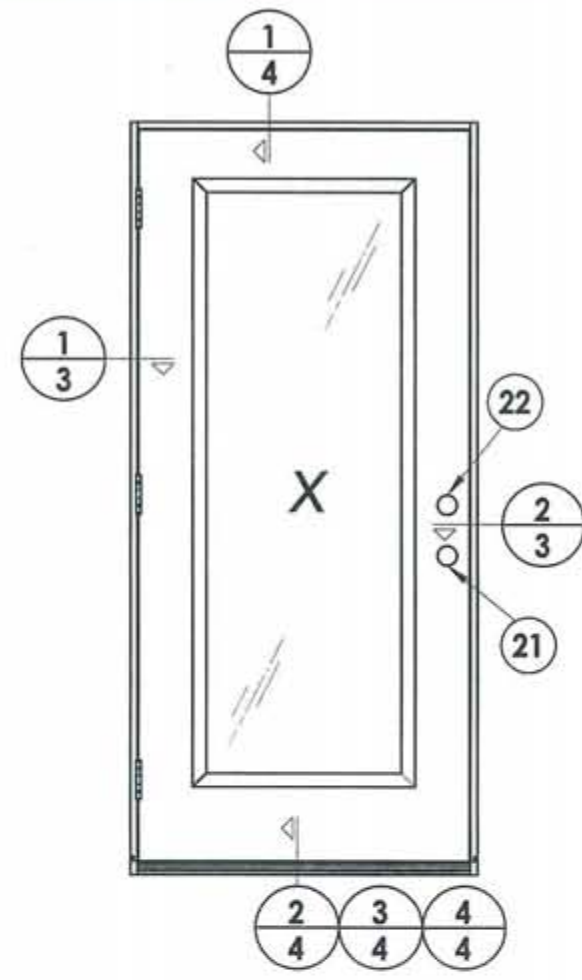
PRODUCT: TRINITY GLASS INT'L PREMIUM LIPLITE FIBERGLASS

PART OR ASSEMBLY: DOOR PANEL CONSTRUCTION DETAILS AND GLAZING DETAILS

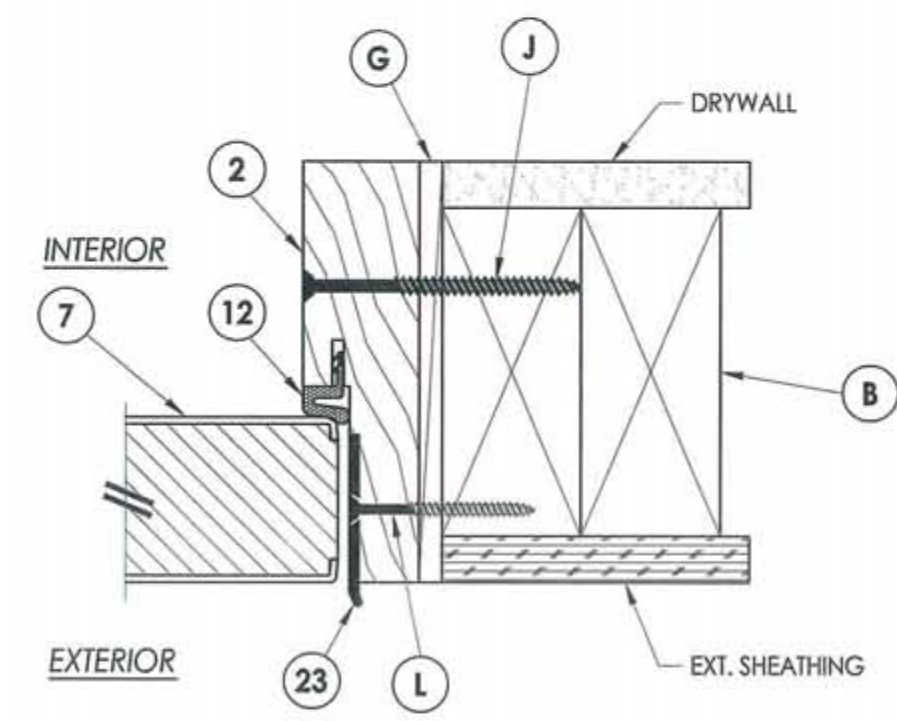
| REVISIONS | |
|-----------|---------|
| NO. | DATE |
| 2 | 7/23/09 |
| 1 | 6/28/06 |

DATE: 8/25/05
 SCALE: N.T.S.
 DWG. BY: EW
 CHK. BY: LFS
 DRAWING NO.: TX-591
 SHEET 2 OF 7

R:\A - Projects\Project Folders\Proj. 1101 - 1200\pf1122\ID_RWBC Drawings\TX-591\TX-591.dwg_3



1 HORIZONTAL CROSS SECTION
3 Outswing shown
 Inswing also approved



2 HORIZONTAL CROSS SECTION
3 Outswing shown
 Inswing also approved

| LOCK & DEADBOLT RATINGS CHART | | | | |
|-------------------------------|-------------------------|--------|----------------------------|----------|
| MANUFACTURER | MODEL | ITEM # | MAX. DESIGN PRESSURE (PSF) | |
| | | | POSITIVE | NEGATIVE |
| KWIKSET | LOCK: 740 | 21 | +65.0 | -65.0 |
| | DEADBOLT: 780 | 22 | | |
| KWIKSET | LOCK: COMBO 660 | 21 | +65.0 | -65.0 |
| | DEADBOLT: COMBO 660 | 22 | | |
| SCHLAGE | LOCK: MAX. SECURITY | 21 | +60.0 | -60.0 |
| | DEADBOLT: MAX. SECURITY | 22 | | |



Documents Prepared By: Lyndon F. Schmidt, P.E.
 TEXAS P.E. #104123

RW BUILDING CONSULTANTS, INC.
 P.O. Box 230 Valrico FL 33595
 Phone No.: 813.659.9197

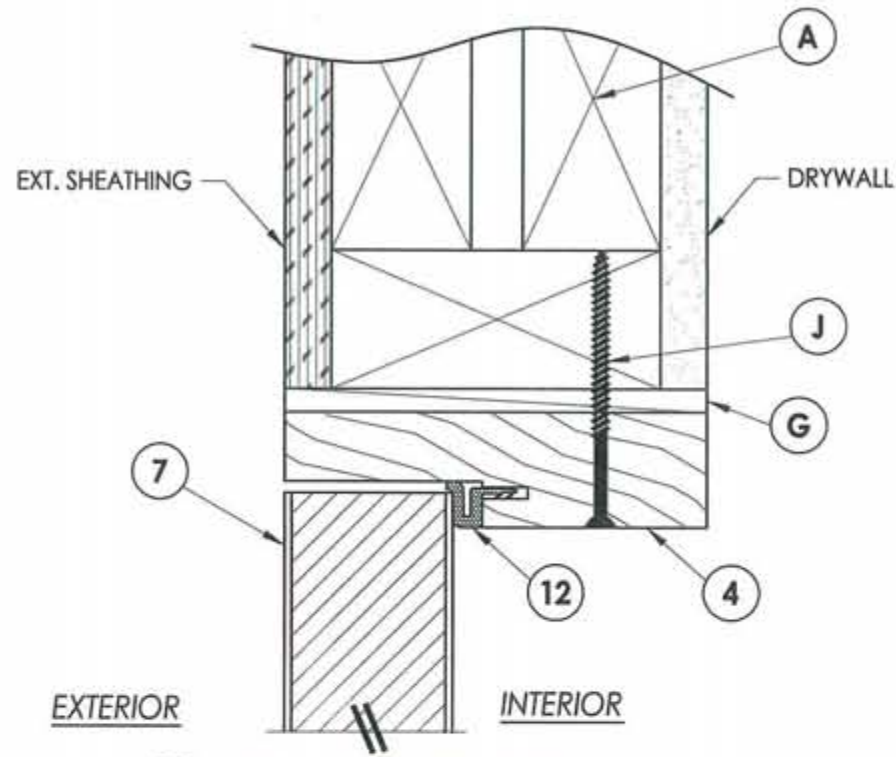
TEXAS BOARD OF PROFESSIONAL ENGINEERS
 CERTIFICATE OF REGISTRATION # F-11852

PRODUCT: TRINITY GLASS INT'L
 PREMIUM LIPLITE FIBERGLASS

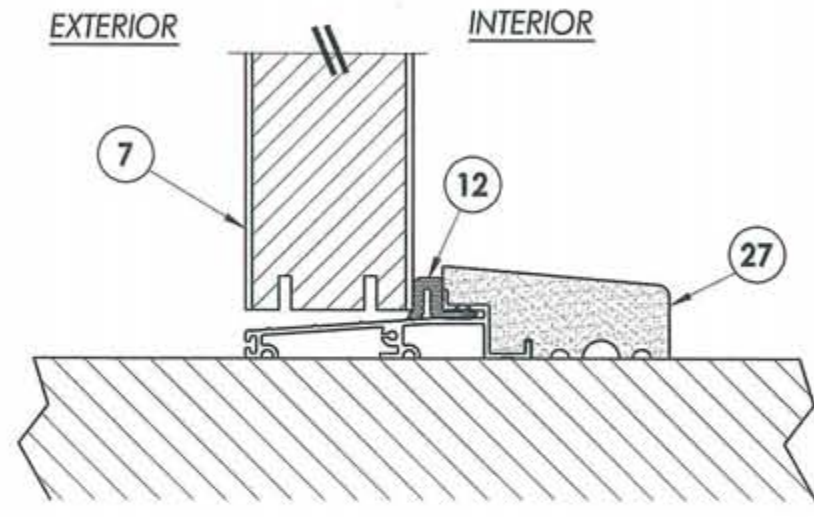
PART OR ASSEMBLY:
 HORIZONTAL CROSS SECTIONS

| NO. | DATE | REVISIONS |
|-----|---------|-------------------------------|
| 2 | 7/23/09 | TDI PRODUCT EVALUATION UPDATE |
| 1 | 6/28/06 | REVISED LOCKSET NOMENCLATURE |
| | | AL |
| | | EW |
| | | BY |

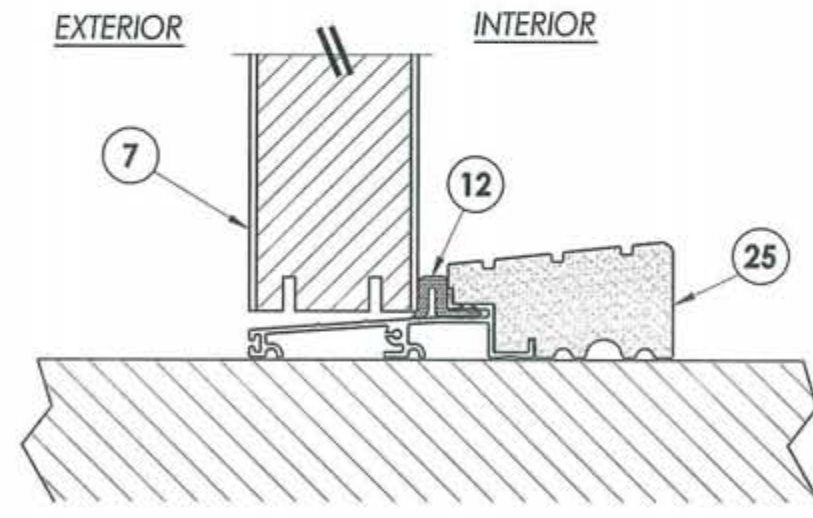
DATE: 8/25/05
 SCALE: N.T.S.
 DWG. BY: EW
 CHK. BY: LFS
 DRAWING NO.: TX-591
 SHEET 3 of 7



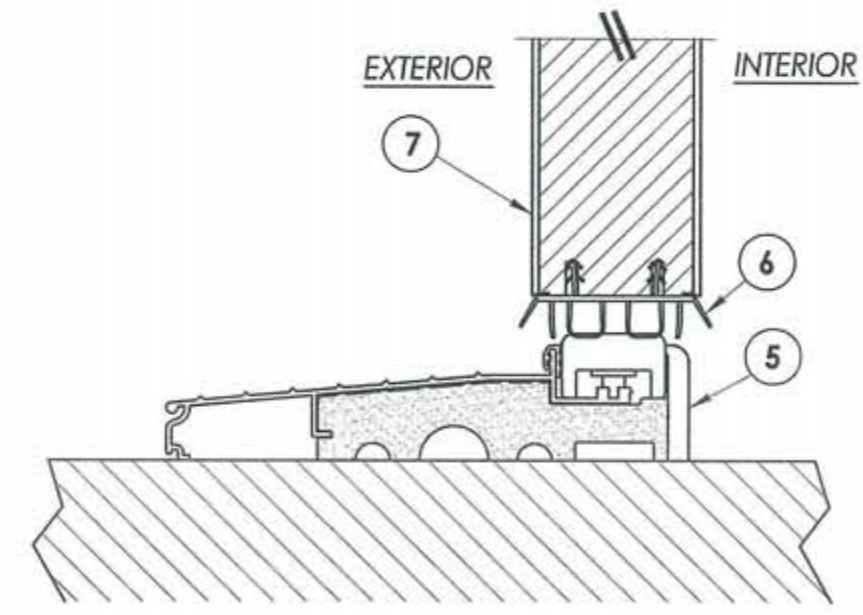
1 VERTICAL CROSS SECTION
4 Outswing shown
 Inswing also approved



2 VERTICAL CROSS SECTION
4 Outswing configuration



3 VERTICAL CROSS SECTION
4



4 VERTICAL CROSS SECTION
4 Inswing configuration

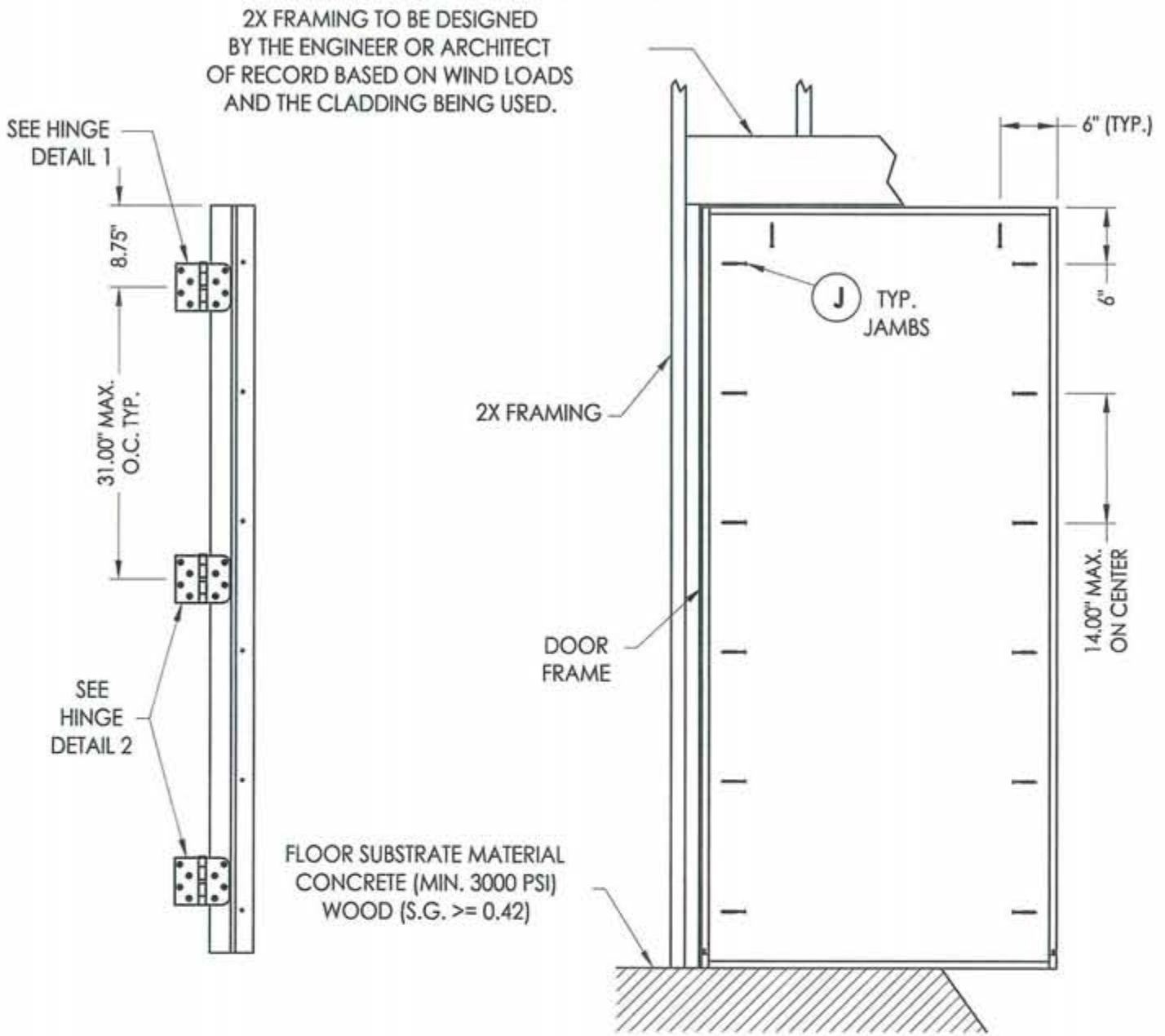


Documents Prepared By: Lyndon F. Schmidt, P.E.
 TEXAS P.E. #104123
 1-6-10
RW BUILDING CONSULTANTS, INC.
 P.O. Box 230 Valrico FL 33595
 Phone No.: 813.659.9197
 TEXAS BOARD OF PROFESSIONAL ENGINEERS
 CERTIFICATE OF REGISTRATION # F-11852

PRODUCT: TRINITY GLASS INT'L
 PREMIUM LIPLITE FIBERGLASS
 PART OR ASSEMBLY:
 VERTICAL CROSS SECTIONS

| NO. | DATE | REVISIONS |
|-----|---------|-------------------------------|
| 2 | 7/23/09 | TDI PRODUCT EVALUATION UPDATE |
| 1 | 6/28/06 | REVISED LOCKSET NOMENCLATURE |
| | | AL |
| | | EW |
| | | BY |

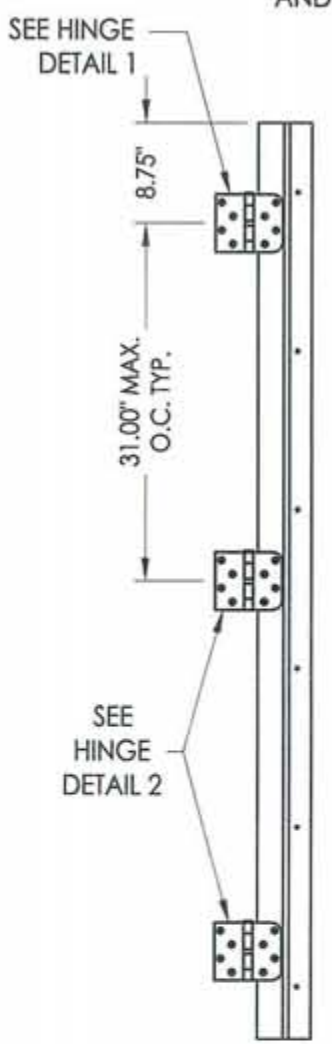
DATE: 8/25/05
 SCALE: N.T.S.
 DWG. BY: EW
 CHK. BY: LFS
 DRAWING NO.: TX-591
 SHEET 4 of 7



HINGE JAMB

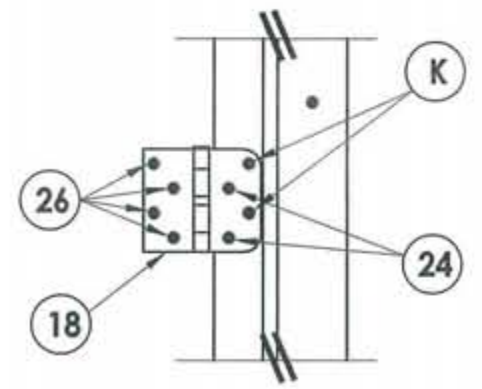
FRAME ANCHORING
Stud construction

STRIKE JAMB

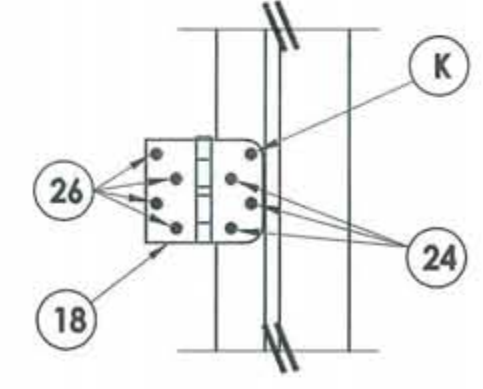


SEE HINGE
DETAIL 1

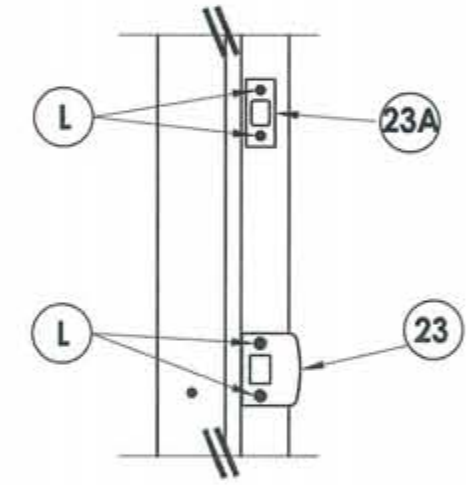
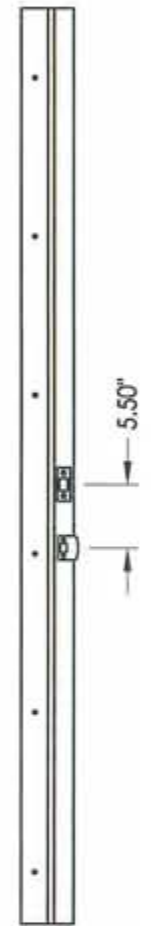
SEE HINGE
DETAIL 2



HINGE DETAIL 1



HINGE DETAIL 2



STRIKE PLATE DETAIL



Documents Prepared By: Lyndon F. Schmidt, P.E.
TEXAS P.E. #104123

RW BUILDING CONSULTANTS, INC.
P.O. Box 230 Valrico FL 33595
Phone No.: 813.659.9197

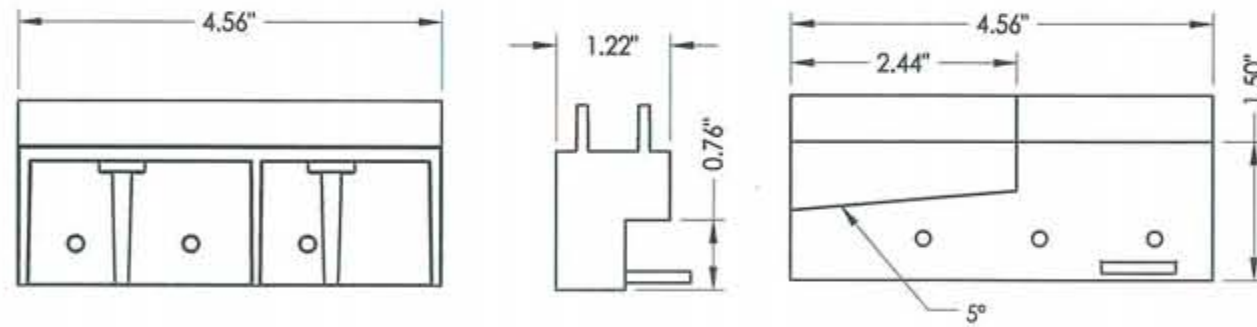
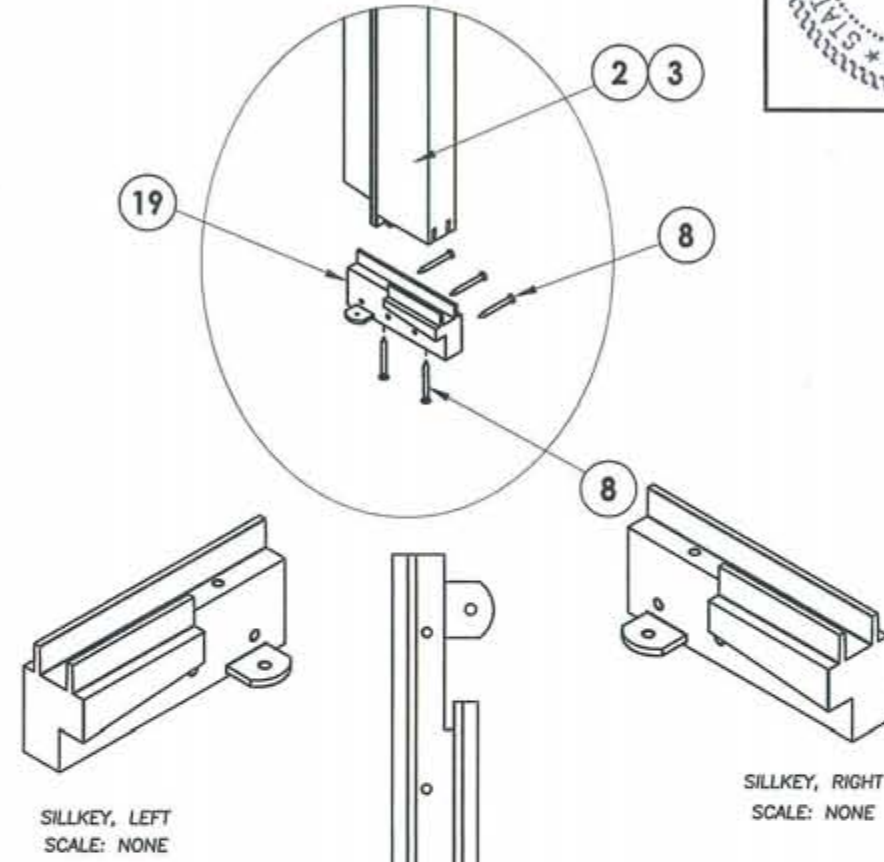
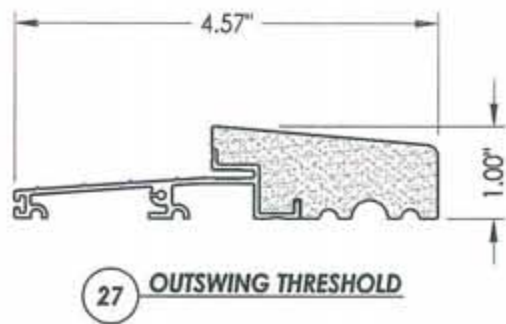
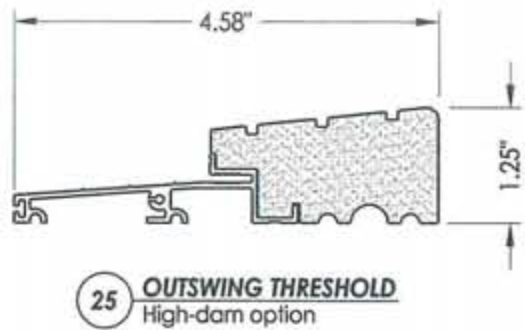
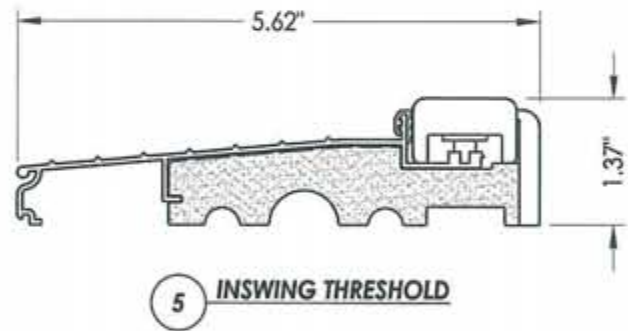
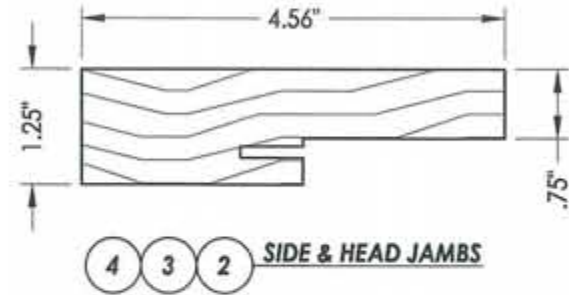
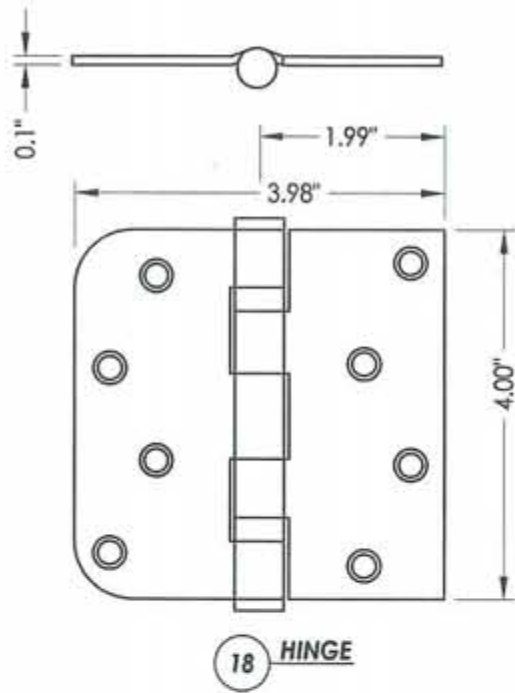
TEXAS BOARD OF PROFESSIONAL ENGINEERS
CERTIFICATE OF REGISTRATION # F-11852

PRODUCT: TRINITY GLASS INT'L
PREMIUM LIP/LITE FIBERGLASS

PART OR ASSEMBLY:
FRAME ANCHORING

| NO. | DATE | REVISIONS |
|-----|---------|-------------------------------|
| 2 | 7/23/09 | TDI PRODUCT EVALUATION UPDATE |
| 1 | 6/28/06 | REVISED LOCKSET NOMENCLATURE |
| | | NO. DATE |
| | | EW BY |

DATE: 8/25/05
SCALE: N.T.S.
DWG. BY: EW
CHK. BY: LFS
DRAWING NO.: TX-591
SHEET 5 OF 7



Documents Prepared By: Lyndon F. Schmidt, P.E.
TEXAS P.E. #104123

RW BUILDING CONSULTANTS, INC.
P.O. Box 230 Valrico FL 33595
Phone No.: 813.659.9197

TEXAS BOARD OF PROFESSIONAL ENGINEERS
CERTIFICATE OF REGISTRATION # F-11852

PRODUCT: TRINITY GLASS INT'L
PREMIUM LIPLITE FIBERGLASS
PART OR ASSEMBLY: COMPONENTS

| NO. | DATE | REVISIONS |
|-----|---------|-------------------------------|
| 2 | 7/23/09 | TDI PRODUCT EVALUATION UPDATE |
| 1 | 6/28/06 | REVISED LOCKSET NOMENCLATURE |
| | | BY |

DATE: 8/25/05
SCALE: N.T.S.
DWG. BY: EW
CHK. BY: LFS
DRAWING NO.: TX-591
SHEET 6 OF 7

| BILL OF MATERIALS | | |
|-------------------|---|--------------|
| ITEM | DESCRIPTION | MATERIAL |
| A | 2X HEADER FRAMING SG >= 0.42 | WOOD |
| B | 2X FRAMING SG >= 0.42 | WOOD |
| G | MAX. 1/4" SHIM SPACE | WOOD |
| J | #10 X 3" PFH WS | STEEL |
| K | #9 X 2" PFH WS | STEEL |
| L | #8 X 2-1/2" PFH WS | STEEL |
| 2 | STRIKE JAMB - FINGER-JOINT PINE - SG >= 0.42 | WOOD |
| 3 | HINGE JAMB - FINGER-JOINT PINE - SG >= 0.42 | WOOD |
| 4 | HEAD - FINGER-JOINT PINE - SG >= 0.42 | WOOD |
| 5 | INSWING THRESHOLD ALUMINUM W/ COMPOSITE SUBSTRATE | ALUMINUM |
| 6 | DOOR BOTTOM SWEEP | PVC |
| 7 | DOOR PANEL - SEE DOOR PANEL DETAIL SHEET FOR CONSTRUCTION DETAILS | - |
| 8 | #6 X 1-1/4" PFH DRYWALL SCREW | STEEL |
| 12 | WEATHER STRIP QEBD650 Q-LON | - |
| 18 | 3.983" X 4.0" HINGE MIN 0.098" THICK | STEEL |
| 19 | SILLKEY | PC/ASA |
| 21 | LOCK (SEE LOCK & DEADBOLT RATINGS CHART) | STEEL |
| 22 | DEADBOLT (SEE LOCK & DEADBOLT RATINGS CHART) | STEEL |
| 23 | STRIKE PLATE | STEEL |
| 23A | DEADBOLT PLATE | STEEL |
| 24 | #9 X 5/8" PFH SCREW | STEEL |
| 25 | OUTSWING HIGH-DAM THRESHOLD ALUMINUM W/ COMPOSITE SUBSTRATE | ALUM./ COMP. |
| 26 | #9 X 1" PFH SCREW | STEEL |
| 27 | OUTSWING THRESHOLD ALUMINUM W/ COMPOSITE SUBSTRATE | ALUM./ COMP. |
| 30 | LATCH STILE - SG >= 0.42 | LVL/PVC |
| 31 | LVL LOCK BLOCK | POPLAR |
| 32 | HINGE STILE - SG >= 0.42 | LVL/PVC |
| 33 | TOP RAIL - POPLAR LVL & WPC COMBINATION | POPLAR/WPC |
| 34 | BOTTOM RAIL - POPLAR LVL & WPC COMBINATION | POPLAR/WPC |
| 39 | FIBERGLASS SKIN 0.079" MIN. THICKNESS (Fy = 5,203 PSI MIN.) | FIBERGLASS |
| 40 | #8 X 1-1/8" SELF THREADING SCREW | STEEL |
| 42 | ALUMINUM & BUTYL SPACER SYSTEM | ALUM./BUTYL |
| 44 | HOT MELT SEALANT / SILICONE | - |
| 45 | LITE FRAME | PC/ASA |
| 46 | FOAM CORE | POLYURETHANE |



Documents Prepared By: Lyndon F. Schmidt, P.E.
TEXAS P.E. #104123

PRODUCT:
TRINITY GLASS INT'L
PREMIUM LITE FIBERGLASS

PART OR ASSEMBLY:
BILL OF MATERIALS

| NO. | DATE | REVISIONS |
|-----|---------|-------------------------------|
| 2 | 7/23/09 | TDI PRODUCT EVALUATION UPDATE |
| 1 | 6/28/06 | REVISED LOCKSET NOMENCLATURE |
| | | AL |
| | | EW |
| | | BY |

DATE: 8/25/05
SCALE: N.T.S.
DWG. BY: EW
CHK. BY: LFS
DRAWING NO.: TX-591
SHEET 7 OF 7

RW BUILDING CONSULTANTS, INC.
P.O. Box 230 Vairico FL, 33595
Phone No.: 813.659.9197
TEXAS BOARD OF PROFESSIONAL ENGINEERS
CERTIFICATE OF REGISTRATION # F-11852