

3'0 X 6'8
OPAQUE PREMIUM FIBERGLASS
SINGLE DOOR
IN SWING / OUT SWING
"IMPACT"

EVALUATED FOR USE IN THE STATE OF TEXAS

The Trinity Opaque Premium Fiberglass Door described herein complies with the 2006 International Residential Code (IRC), Sections R301 & R613 and the 2006 International Building Code (IBC), Sections 1405.12, 1609, 1714.5, 2403 and 2404 (including Texas revisions) subject to the following conditions:

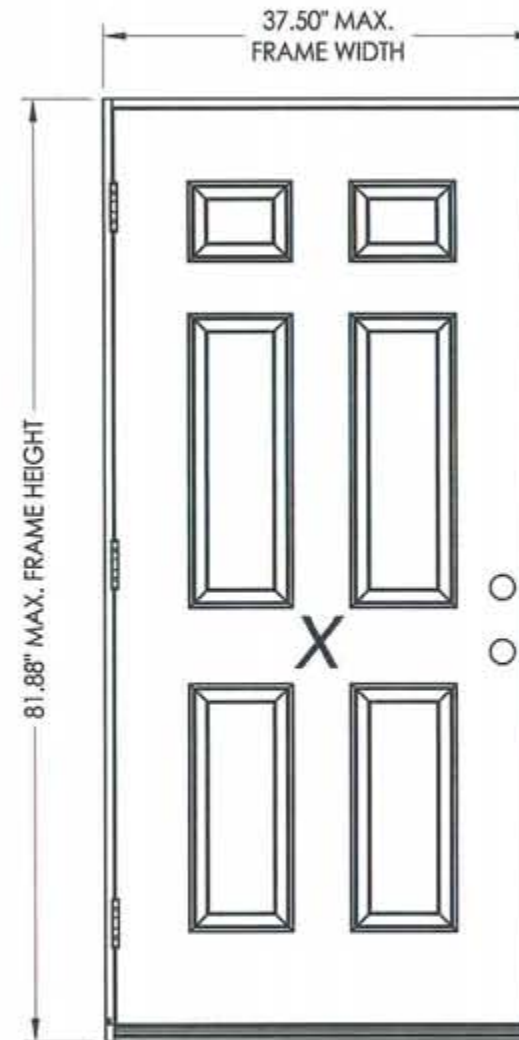
1. Anchors shall be as listed and spaced as shown in the details. Anchor embedment to base material shall be beyond wall dressing or stucco.
2. When used in wind borne debris regions, the opaque door panel complies with Sections R301.2.1.2 of the IRC and 1609.1.2 of the IRC as an impact resistant product and does not require the use of an approved impact resistant covering. This product does not meet the requirements for enhanced protection of essential facilities as defined in ASTM E1996.
3. Allowable design pressure requirements must be equal to or less than the design pressure rating shown in the design pressure chart, sheet 1 of this drawing.
4. Conditions not covered by this drawing are subject to further engineering analysis.

SUPPORTING DOCUMENTS & EVIDENCE

1. Testing per ASTM E330-02, ASTM E1886-02 and ASTM E1996-02 as performed by Testing Evaluation Laboratories, Inc. and reported in test report number TEL 08-01370020-A and TEL 05-0418-1, signed by Wendell W. Haney, P.E.
2. Calculations (Anchoring) prepared by Lyndon F. Schmidt, P.E.
3. Certificate of Participation issued by the National Accreditation and Management Institute, Inc., certifying that Trinity Glass Int'l is manufacturing products within a Quality Assurance program.

TABLE OF CONTENTS

SHEET #	DESCRIPTION
1	Typical elevations, design pressures & general notes
2	Door panel construction details
3	Horizontal cross sections
4	Vertical cross sections
5	Frame anchoring
6	Components
7	Bill of materials



SWING	MAX. FRAME DIMENSION	DESIGN PRESSURE (PSF)	
		POSITIVE	NEGATIVE
IN SWING	37.50" x 81.88"	+75.0	-75.0
OUT SWING	37.50" x 80.75"	+75.0	-75.0

Refer to Table (sheet 3) for Passage Lock Rating Limitations

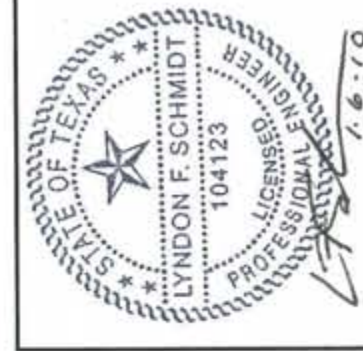
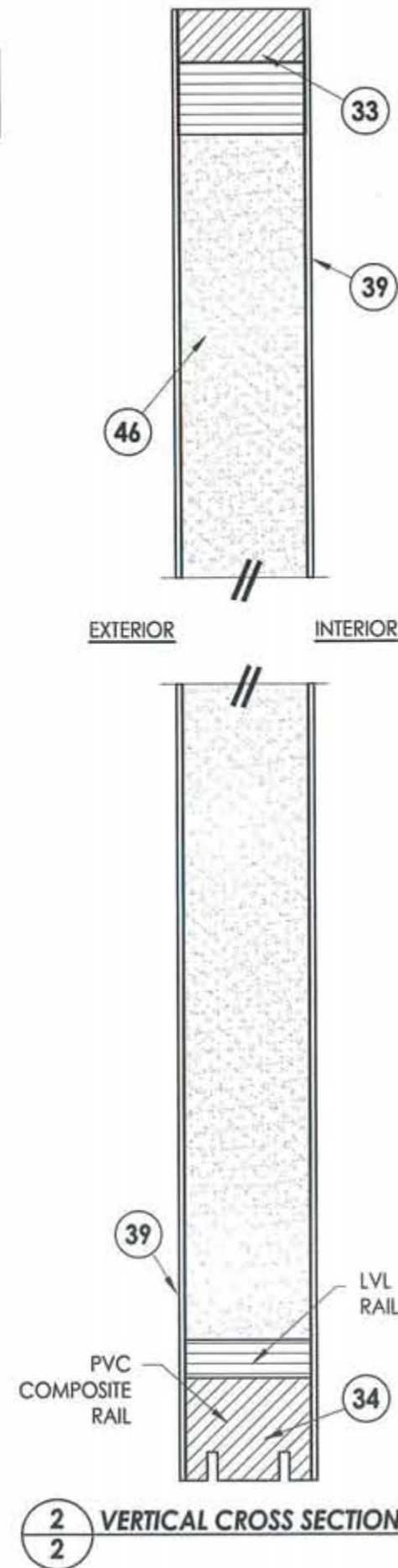
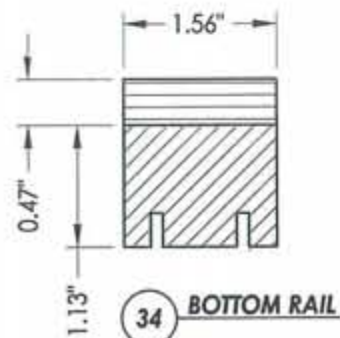
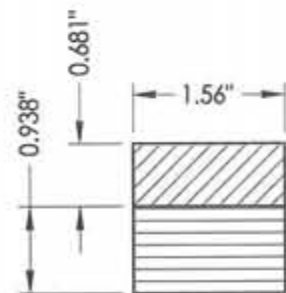
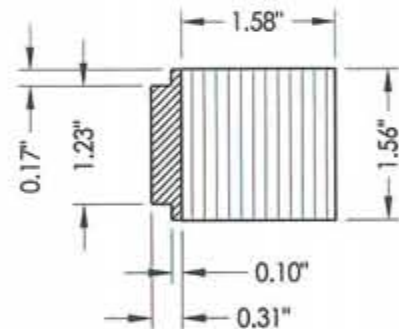
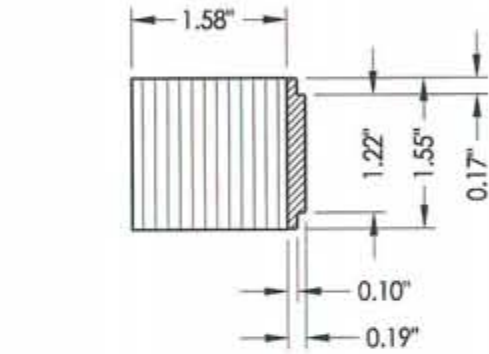
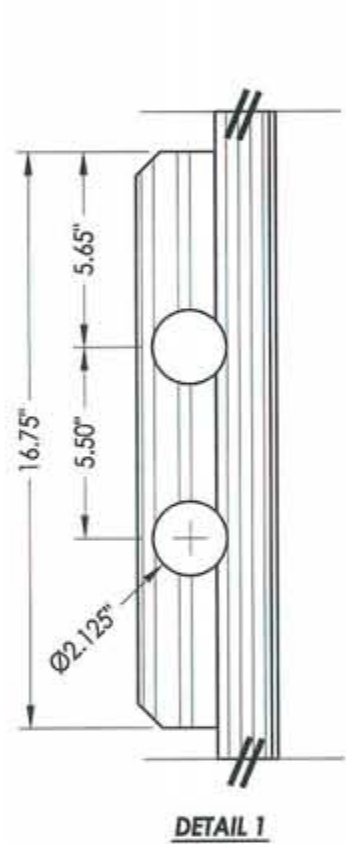
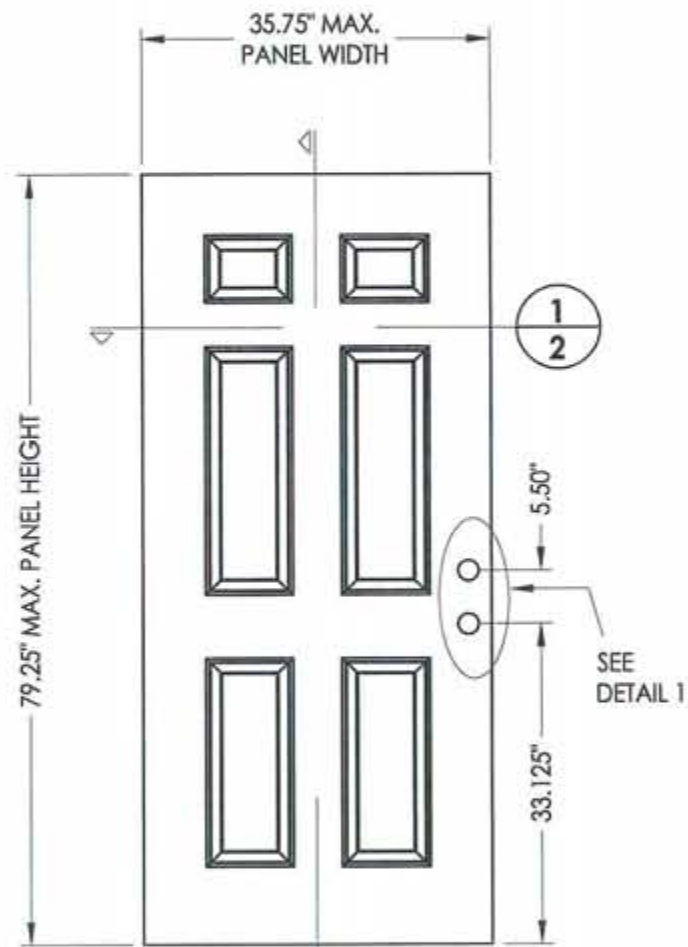
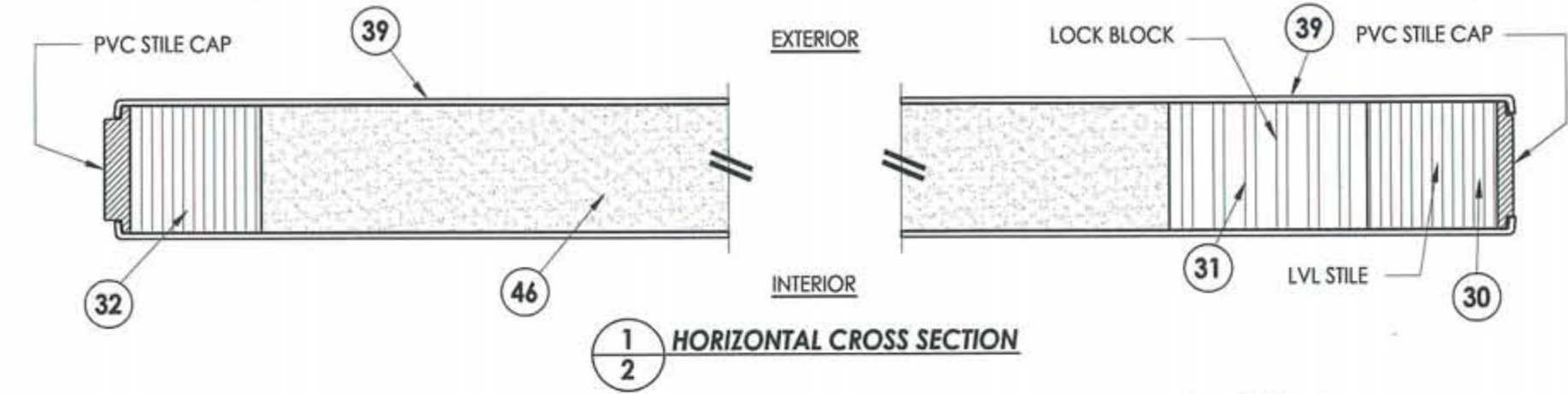


Documents Prepared By: Lyndon F. Schmidt, P.E.
TEXAS P.E. #104123

RW BUILDING CONSULTANTS, INC.
P.O. Box 230 Vairico FL. 33595
Phone No.: 813.659.9197

TEXAS BOARD OF PROFESSIONAL ENGINEERS
CERTIFICATE OF REGISTRATION # F-11852

PRODUCT: TRINITY GLASS INT'L 6 8 PREMIUM OPAQUE		PART OR ASSEMBLY: TYPICAL ELEVATION, DESIGN PRESSURES & GENERAL NOTES	
		AL	EW
		TDI PRODUCT EVALUATION UPDATE	REVISOR
		7/27/09	6/28/06
		NO.	DATE
		REVISIONS	
DATE: 8/24/05			
SCALE: N.T.S.			
DWG. BY: EW			
CHK. BY: LFS			
DRAWING NO.: TX-584			
SHEET 1 OF 7			



Documents Prepared By: Lyndon F. Schmidt, P.E.
TEXAS P.E. #104123

RW BUILDING CONSULTANTS, INC.
P.O. Box 230 Valrico FL 33595
Phone No.: 813.659.9197

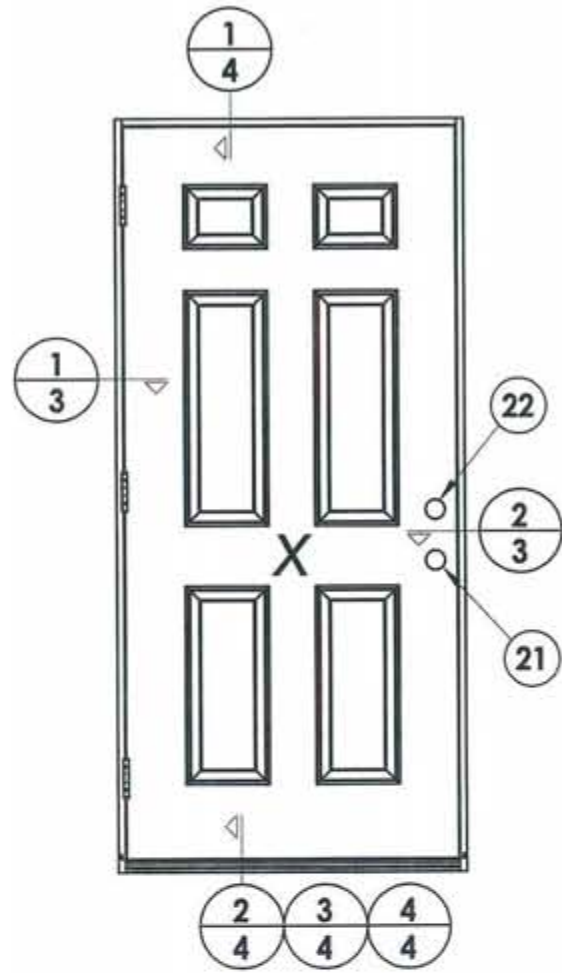
TEXAS BOARD OF PROFESSIONAL ENGINEERS
CERTIFICATE OF REGISTRATION # F-11852

PRODUCT: TRINITY GLASS INT'L
6'8" PREMIUM OPAQUE

PART OR ASSEMBLY:
DOOR PANEL
CONSTRUCTION DETAILS

REVISIONS	
NO.	DATE
2	7/27/09
1	6/28/06

DATE: 8/24/05
SCALE: N.T.S.
DWG. BY: EW
CHK. BY: LFS
DRAWING NO.: TX-584
SHEET 2 OF 7



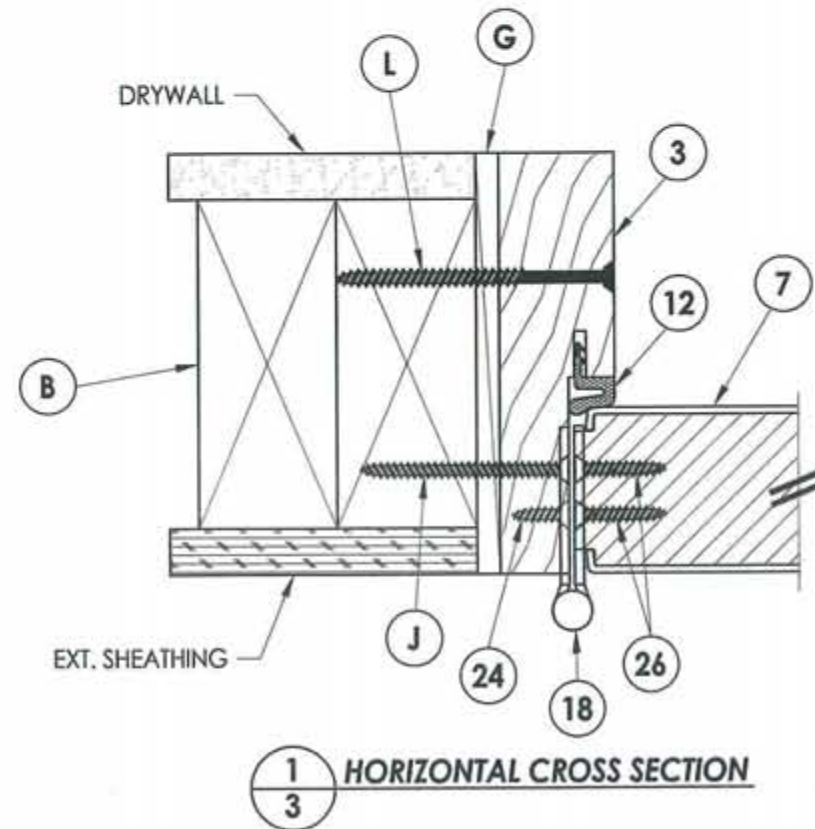
LOCK & DEADBOLT RATINGS CHART				
MANUFACTURER	MODEL	ITEM #	MAX. DESIGN PRESSURE (PSF)	
			POSITIVE	NEGATIVE
KWIKSET	LOCK: 740	21	+75.0	-75.0
	DEADBOLT: 780	22		
KWIKSET	LOCK: COMBO 660	21	+65.0	-65.0
	DEADBOLT: COMBO 660	22		
SCHLAGE	LOCK: MAX. SECURITY	21	+60.0	-60.0
	DEADBOLT: MAX. SECURITY	22		



Documents Prepared By: Lyndon F. Schmidt, P.E.
TEXAS P.E. #104123

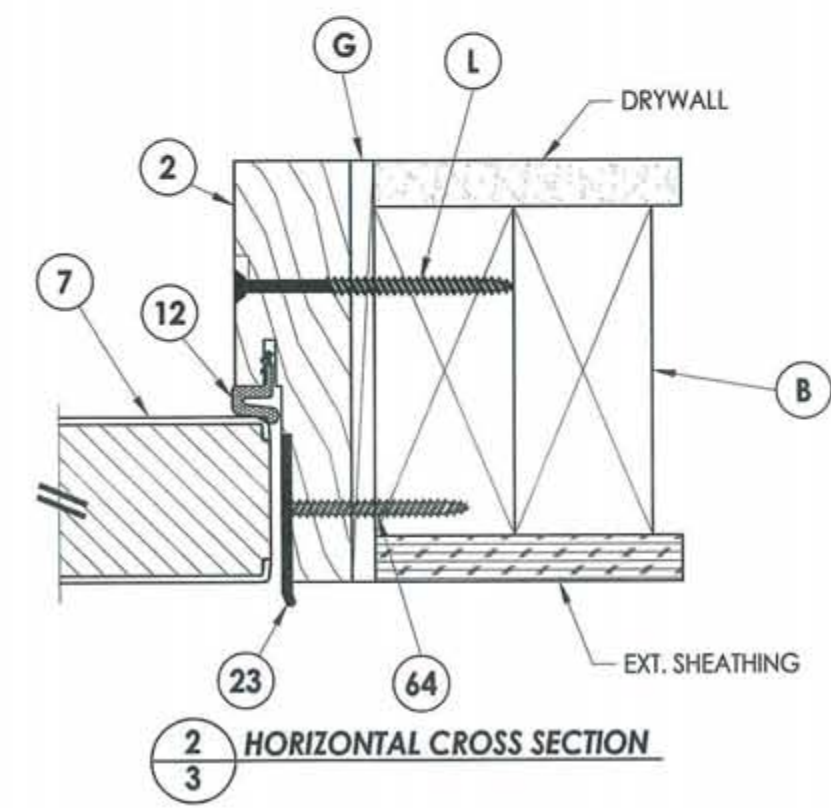
RW BUILDING CONSULTANTS, INC.
P.O. Box 230 Valrico FL 33595
Phone No.: 813.659.9197

TEXAS BOARD OF PROFESSIONAL ENGINEERS
CERTIFICATE OF REGISTRATION # F-11852

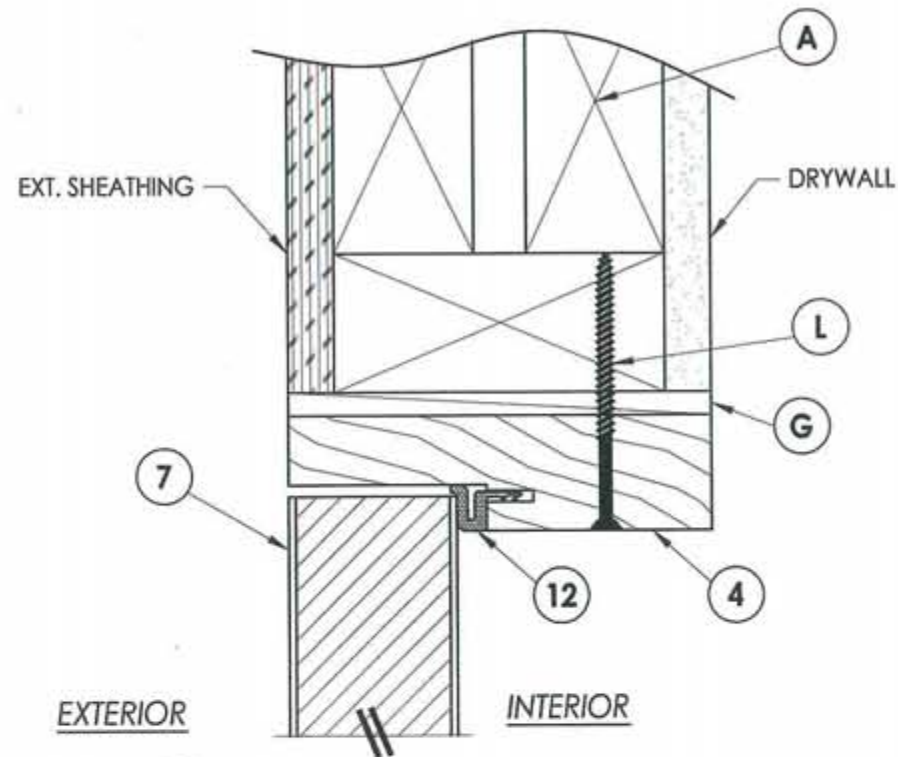


INTERIOR

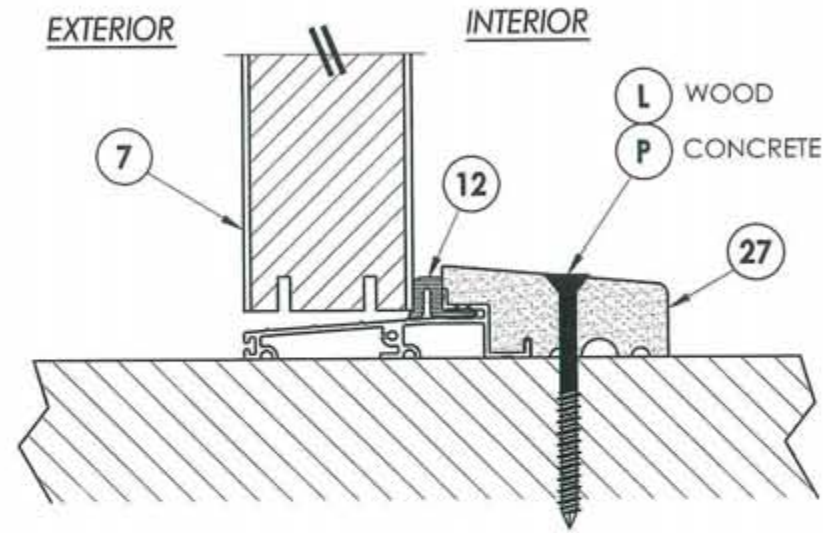
EXTERIOR



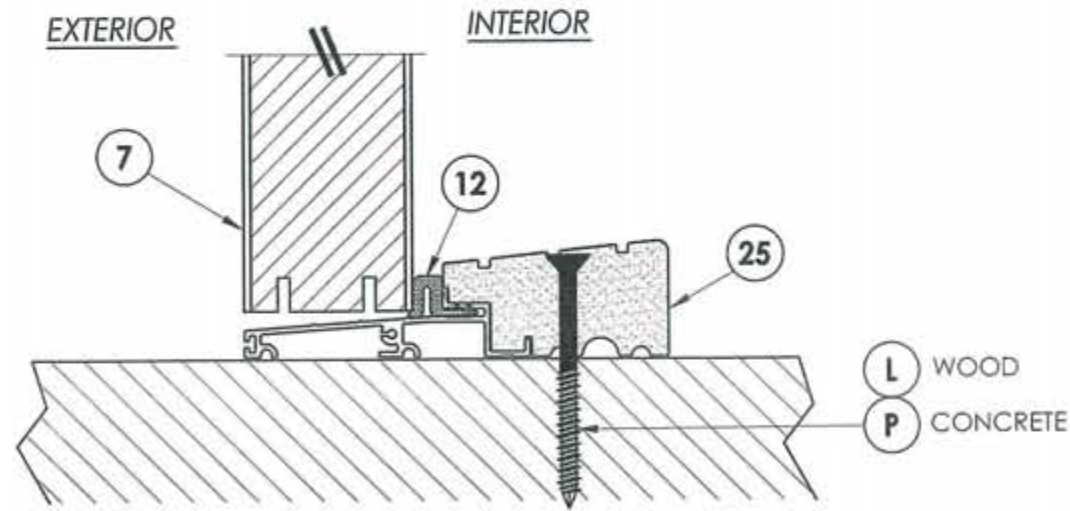
PRODUCT:	TRINITY GLASS INT'L 6'8 PREMIUM OPAQUE	
PART OR ASSEMBLY:	HORIZONTAL CROSS SECTIONS	
NO.	DATE	BY
2	7/27/09	AL
1	6/28/06	EW
REVISIONS		
DATE:	8/24/05	
SCALE:	N.T.S.	
DWG. BY:	EW	
CHK. BY:	LFS	
DRAWING NO.:	TX-584	
SHEET	3 of 7	



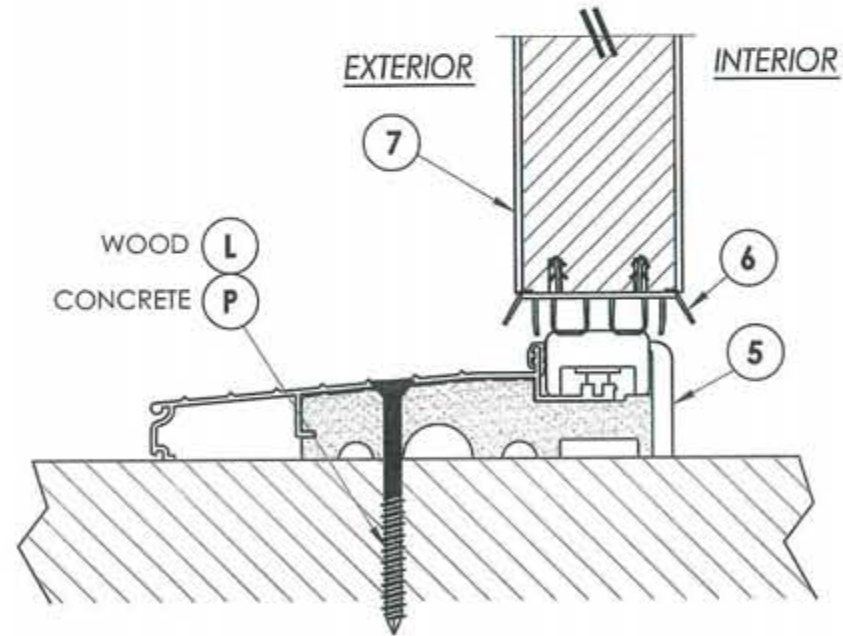
1 VERTICAL CROSS SECTION
4 Outswing shown
 Inswing also approved



2 VERTICAL CROSS SECTION
4 Outswing configuration



3 VERTICAL CROSS SECTION
4 Outswing configuration



4 VERTICAL CROSS SECTION
4 Inswing configuration

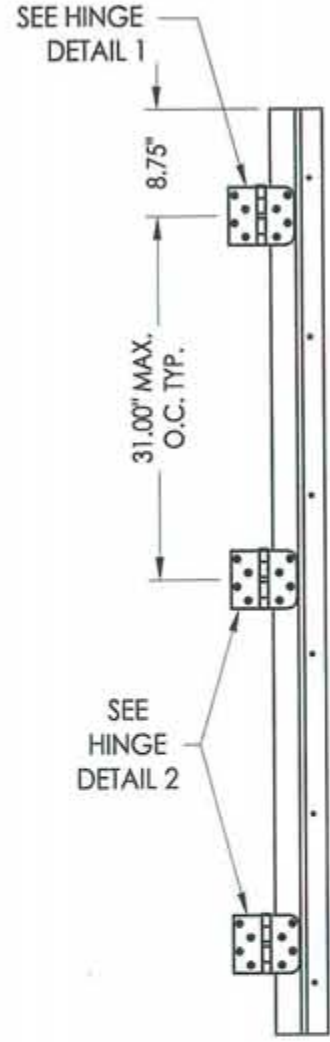


Documents Prepared By: Lyndon F. Schmidt, P.E.
 TEXAS P.E. #104123

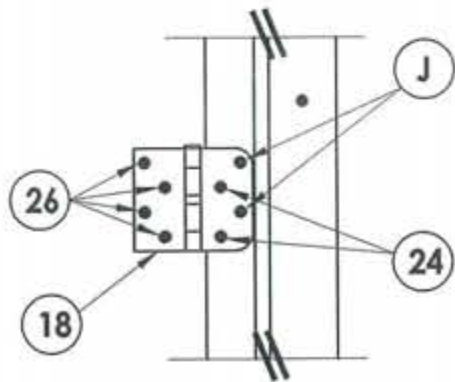
RW BUILDING CONSULTANTS, INC.
 P.O. Box 230 Valrico FL 33595
 Phone No.: 813.659.9197
 TEXAS BOARD OF PROFESSIONAL ENGINEERS
 CERTIFICATE OF REGISTRATION # F-11852

PRODUCT:		TRINITY GLASS INT'L 6'8 PREMIUM OPAQUE	
PART OR ASSEMBLY:		VERTICAL CROSS SECTIONS	
		AL	EW
		TDI PRODUCT EVALUATION UPDATE	REVISOR
		7/27/09	6/28/06
		1	NO.
		DATE	BY
REVISIONS			
DATE:		8/24/05	
SCALE:		N.T.S.	
DWG. BY:		EW	
CHK. BY:		LFS	
DRAWING NO.:		TX-584	
SHEET		4 OF 7	

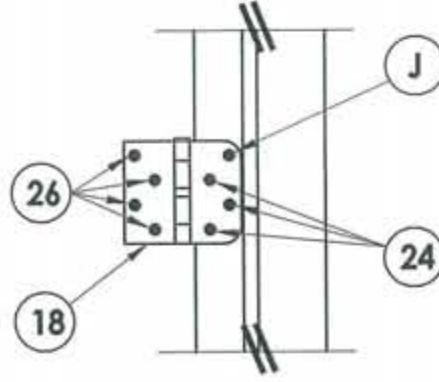
2X FRAMING TO BE DESIGNED BY THE ENGINEER OR ARCHITECT OF RECORD BASED ON WIND LOADS AND THE CLADDING BEING USED.



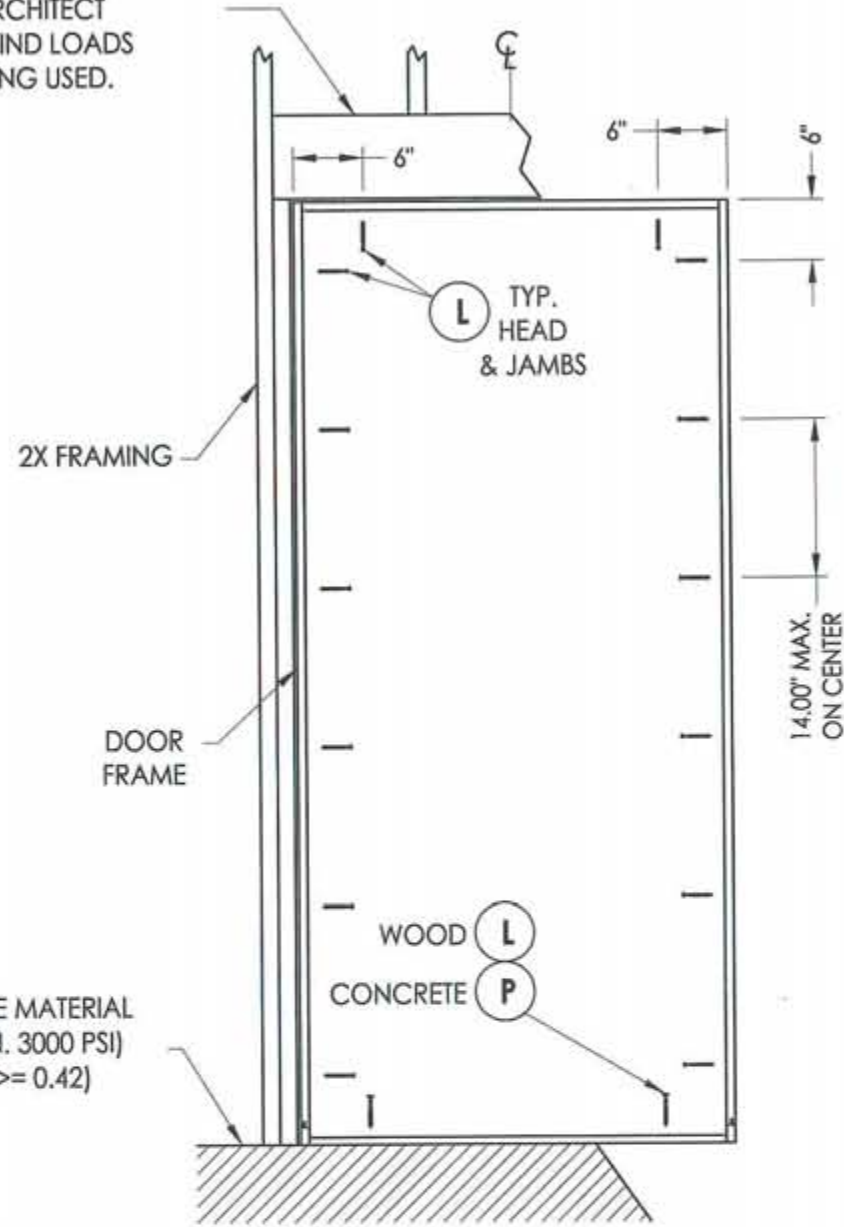
HINGE JAMB



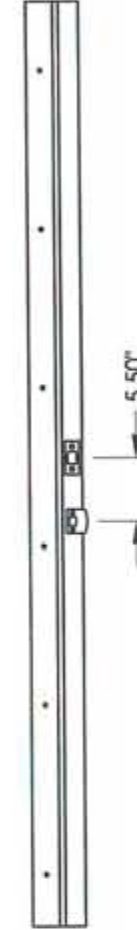
HINGE DETAIL 1



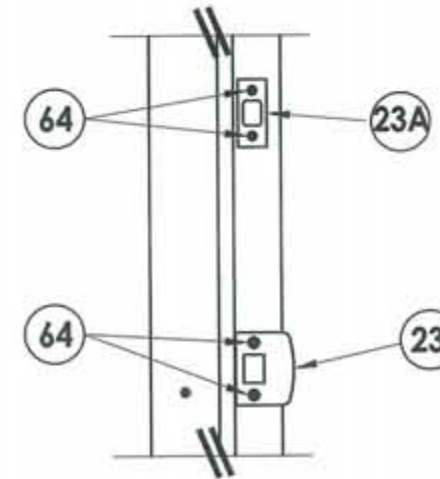
HINGE DETAIL 2



FRAME ANCHORING
Stud construction



STRIKE JAMB



STRIKE PLATE DETAIL

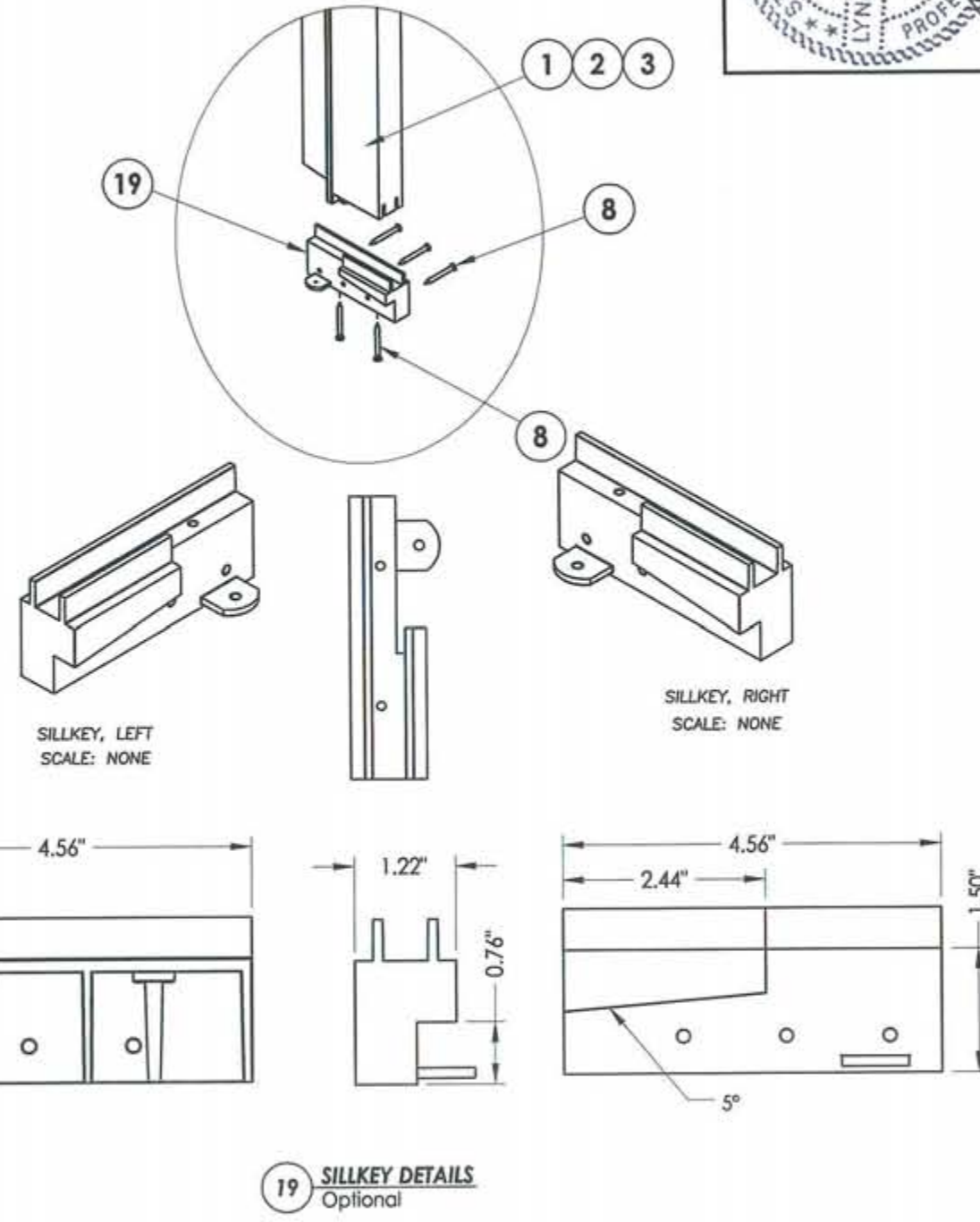
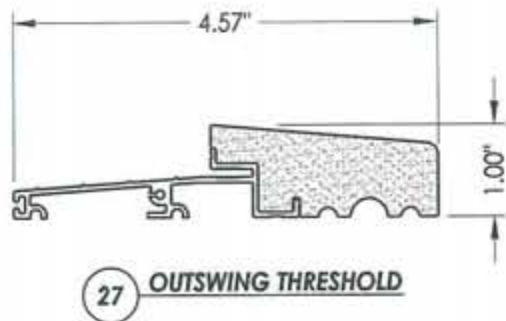
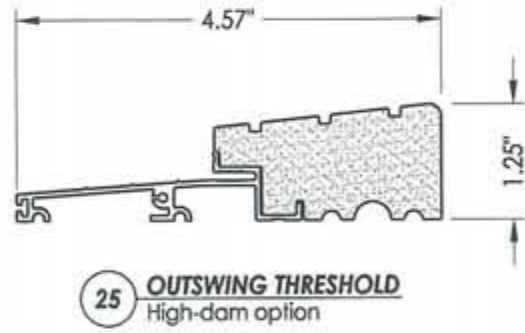
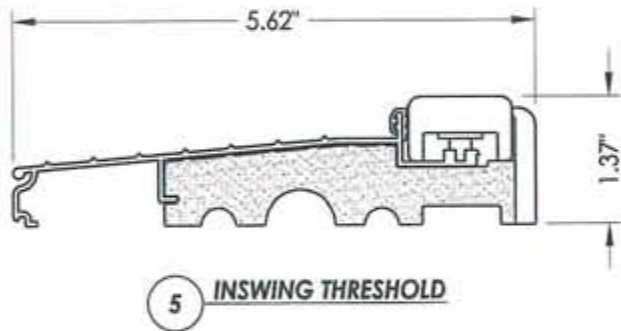
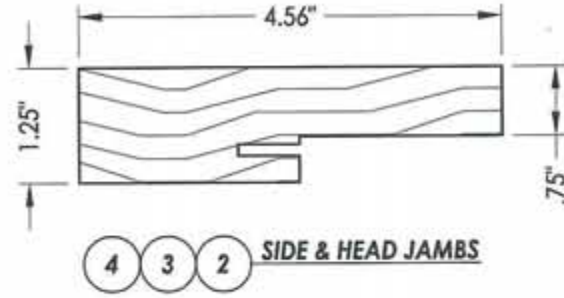
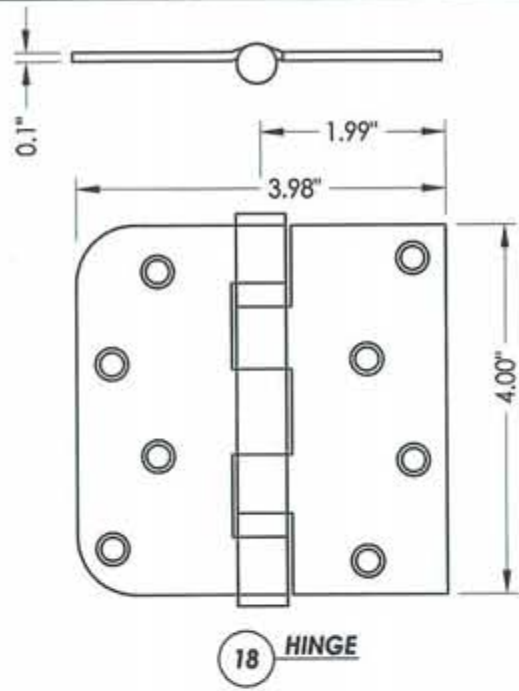


Documents Prepared By: Lyndon F. Schmidt, P.E.
TEXAS P.E. #104123

RW BUILDING CONSULTANTS, INC.
P.O. Box 230 Valrico FL, 33595
Phone No.: 813.659.9197

TEXAS BOARD OF PROFESSIONAL ENGINEERS
CERTIFICATE OF REGISTRATION # F-11852

PRODUCT:		TRINITY GLASS INT'L 6'8" PREMIUM OPAQUE	
PART OR ASSEMBLY:		FRAME ANCHORING	
NO.	DATE	BY	REVISIONS
2	7/27/09	AL	TDI PRODUCT EVALUATION UPDATE
1	6/28/06	EW	REVISED LOCKSET NOMENCLATURE
DATE: 8/24/05			
SCALE: N.T.S.			
DWG. BY: EW			
CHK. BY: LFS			
DRAWING NO.: TX-584			
SHEET 5 OF 7			



Documents Prepared By: Lyndon F. Schmidt, P.E.
TEXAS P.E. #104123

RW BUILDING CONSULTANTS, INC.
P.O. Box 230 Valrico FL 33595
Phone No.: 813.659.9197

TEXAS BOARD OF PROFESSIONAL ENGINEERS
CERTIFICATE OF REGISTRATION # F-11852

PRODUCT: TRINITY GLASS INT'L 6 8 PREMIUM OPAQUE		PART OR ASSEMBLY: COMPONENTS	
NO.	DATE	BY	REVISIONS
2	7/27/09	AL	TDI PRODUCT EVALUATION UPDATE
1	6/28/06	EW	REVISED LOCKSET NOMENCLATURE
DATE: 8/24/05		SCALE: N.T.S.	
DWG. BY: EW		CHK. BY: LFS	
DRAWING NO.: TX-584		SHEET 6 OF 7	

BILL OF MATERIALS		
ITEM	DESCRIPTION	MATERIAL
A	2X HEADER FRAMING SG >= 0.42	WOOD
B	2X FRAMING SG >= 0.42	WOOD
G	MAX. 1/4" SHIM SPACE	WOOD
J	#9 X 2-1/4" PFH WS	STEEL
L	#8 X 3" PFH WS	STEEL
P	3/16" X 2-3/4" ELCO OR ITW PFH CONCRETE SCREW	STEEL
2	STRIKE JAMB - FINGER-JOINT PINE - SG >= 0.42	WOOD
3	HINGE JAMB - FINGER-JOINT PINE - SG >= 0.42	WOOD
4	HEAD - FINGER-JOINT PINE - SG >= 0.42	WOOD
5	INSWING THRESHOLD ALUMINUM W/ COMPOSITE SUBSTRATE	ALUMINUM
6	DOOR BOTTOM SWEEP	PVC
7	DOOR PANEL - SEE DOOR PANEL DETAIL SHEET FOR CONSTRUCTION DETAILS	-
8	#6 X 1-1/4 PFH DRYWALL SCREW	STEEL
12	WEATHER STRIP QEBD650 Q-LON	-
18	3.983" X 4.0" HINGE MIN 0.098" THICK	STEEL
19	SILLKEY	PC/ASA
21	LOCK (SEE LOCK & DEADBOLT RATINGS CHART)	STEEL
22	DEADBOLT (SEE LOCK & DEADBOLT RATINGS CHART)	STEEL
23	STRIKE PLATE	STEEL
23A	DEADBOLT PLATE	STEEL
24	#9 X 5/8" PFH WS	STEEL
25	OUTSWING HIGH-DAM THRESHOLD ALUMINUM W/ COMPOSITE SUBSTRATE	ALUM./ COMP.
26	#9 X 1" PFH WS	STEEL
27	OUTSWING THRESHOLD ALUMINUM W/ COMPOSITE SUBSTRATE	ALUM./ COMP.
30	LATCH STILE - SG >= 0.42	LVL/PVC
31	LVL LOCK BLOCK	POPLAR
32	HINGE STILE - SG >= 0.42	LVL/PVC
33	TOP RAIL - POPLAR LVL & WPC COMBINATION	POPLAR/WPC
34	BOTTOM RAIL - POPLAR LVL & WPC COMBINATION	POPLAR/WPC
39	FIBERGLASS SKIN 0.079" MIN. THICKNESS (Fy = 5,203 PSI MIN.)	FIBERGLASS
46	FOAM CORE	POLYURETHANE
64	#8 x 2" PFH SCREW	STEEL

CONCRETE ANCHOR NOTES:

1. Substitution of equal concrete anchors from a different supplier may have different edge distance and center distance requirements.
2. Concrete anchor locations at the corners may be adjusted to maintain the min. edge distance to mortar joints. If concrete anchor locations noted as "MAX. ON CENTER" must be adjusted to maintain the min. edge distance to mortar joints, additional concrete anchors may be required to ensure the "MAX. ON CENTER" dimensions are not exceeded.
3. Concrete anchor table:

ANCHOR TYPE	ANCHOR SIZE	MIN. EMBEDMENT	MIN. CLEARANCE TO MASONRY EDGE	MIN. CLEARANCE TO ADJACENT ANCHOR
ITW	3/16"	1-3/4"	2-5/8"	2-1/4"
ELCO	3/16"	1-3/4"	1"	3"



Documents Prepared By: Lyndon F. Schmidt, P.E.
TEXAS P.E. #104123

RW BUILDING CONSULTANTS, INC.
P.O. Box 230 Veroico FL 33595
Phone No.: 813.659.9197

TEXAS BOARD OF PROFESSIONAL ENGINEERS
CERTIFICATE OF REGISTRATION # F-11852

PRODUCT:		TRINITY GLASS INT'L 6'8 PREMIUM OPAQUE	
PART OR ASSEMBLY:		BILL OF MATERIALS	
NO.	DATE	REVISIONS	BY
2	7/27/09	TDI PRODUCT EVALUATION UPDATE	AL
1	6/28/06	REVISED LOCKSET NOMENCLATURE	EW
DATE: 8/24/05			
SCALE: N.T.S.			
DWG. BY: EW			
CHK. BY: LFS			
DRAWING NO.: TX-584			
SHEET 7 OF 7			