



**MIAMI-DADE COUNTY**  
BUILDING CODE COMPLIANCE OFFICE (BCCO)  
PRODUCT CONTROL DIVISION

MIAMI-DADE COUNTY, FLORIDA  
METRO-DADE FLAGLER BUILDING  
140 WEST FLAGLER STREET, SUITE 1603  
MIAMI, FLORIDA 33130-1563  
(305) 375-2901 FAX (305) 375-2908

**NOTICE OF ACCEPTANCE (NOA)**

[www.buildingcodeonline.com](http://www.buildingcodeonline.com)

**Trinity Glass International**  
4621 192<sup>nd</sup> Street East  
Tacoma, WA 98446

**SCOPE:**

This NOA is being issued under the applicable rules and regulations governing the use of construction materials. The documentation submitted has been reviewed by Miami-Dade County Product Control Division and accepted by the Board of Rules and Appeals (BORA) to be used in Miami Dade County and other areas where allowed by the Authority Having Jurisdiction (AHJ).

This NOA shall not be valid after the expiration date stated below. The Miami-Dade County Product Control Division (In Miami Dade County) and/or the AHJ (in areas other than Miami Dade County) reserve the right to have this product or material tested for quality assurance purposes. If this product or material fails to perform in the accepted manner, the manufacturer will incur the expense of such testing and the AHJ may immediately revoke, modify, or suspend the use of such product or material within their jurisdiction. BORA reserves the right to revoke this acceptance, if it is determined by Miami-Dade County Product Control Division that this product or material fails to meet the requirements of the applicable building code.

This product is approved as described herein, and has been designed to comply with the Florida Building Code, including the High Velocity Hurricane Zone.

**DESCRIPTION: 6'-8" Outswing Opaque Fiberglass Door w/ wo glazed Sidelites-LMI**

**APPROVAL DOCUMENT:** Drawing No. S-2729, titled "Opaque Fiberglass Outswing Door ' ', sheets 1 through 12 of 12, dated 10/05/06 and last revised on 01-14-2008, prepared by RW Building Consultants, Inc., signed and sealed by Lyndon F. Schmidt, P.E., bearing the Miami-Dade County Product Control Approval stamp with the Notice of Acceptance number and approval date by the Miami-Dade County Product Control Division.

**MISSILE IMPACT RATING: Large and Small Missile Impact**

**LABELING:** Each unit shall bear a permanent label with the manufacturer's name or logo, city, state and following statement: "Miami-Dade County Product Control Approved", unless otherwise noted herein.

**RENEWAL** of this NOA shall be considered after a renewal application has been filed and there has been no change in the applicable building code negatively affecting the performance of this product.

**TERMINATION** of this NOA will occur after the expiration date or if there has been a revision or change in the materials, use, and/or manufacture of the product or process. Misuse of this NOA as an endorsement of any product, for sales, advertising or any other purposes shall automatically terminate this NOA. Failure to comply with any section of this NOA shall be cause for termination and removal of NOA.

**ADVERTISEMENT:** The NOA number preceded by the words Miami-Dade County, Florida, and followed by the expiration date may be displayed in advertising literature. If any portion of the NOA is displayed, then it shall be done in its entirety.

**INSPECTION:** A copy of this entire NOA shall be provided to the user by the manufacturer or its distributors and shall be available for inspection at the job site at the request of the Building Official.

This NOA consists of this page 1 and evidence page E-1, as well as approval document mentioned above.

The submitted documentation was reviewed by **Ishaq I. Chanda, P.E.**



4  
1/28/08

NOA No 06-1113.05  
Expiration Date: February 21, 2013  
Approval Date: February 21, 2008  
Page 1

**Trinity Glass International**

**NOTICE OF ACCEPTANCE: EVIDENCE SUBMITTED**

**A. DRAWINGS**

1. Manufacturer's die drawings and sections.
2. Drawing No. S-2729, titled "Glazed Fiberglass Outswing Door", sheets 1 through 12 of 12, dated 10/05/06 and last revised on 01-14-2008, prepared by RW Building Consultants, Inc., signed and sealed by Lyndon F. Schmidt, P.E.

**B. TESTS**

1. Test reports on Test reports on 1) Air Infiltration Test, per FBC, TAS 202-94  
2) Uniform Static Air Pressure Test, Loading per FBC, TAS 202-94  
3) Water Resistance Test, per FBC, TAS 202-94  
4) Forced Entry Test, per FBC 2411 3.2.1 and TAS 202-94  
5) Small Missile impact Test per FBC, TAS 201-94  
6) Cyclic Wind Pressure Loading per FBC, TAS 203-94

along with marked-up drawings and installation diagram of 6'0 x 6'8 Opaque Fiber Glass Outswing doors w/ glazed sidelites, prepared by Testing Evaluation Laboratories, Inc., Test Report No. TEL-06-0918-2, dated 10/1006, signed and sealed by Wendell W. Haney, P.E.

2. Additional test report No. TEL-06-0918-2, per TAS 201, 202 and 203-94 for 6'0 x 6'8 Glazed Fiber Glass Outswing doors w/ glazed sidelites, issued by Testing Evaluation Laboratories, Inc.

**C. CALCULATIONS**

1. Anchor verification calculations and structural analysis, complying with FBC-2004, prepared by RW Building Consultants, Inc., dated 11/03/06, signed and sealed by Lyndon F. Schmidt, P.E.
2. Glazing complies w/ ASTM E1300-98/02.

**D. QUALITY ASSURANCE**

1. Miami Dade Building Code Compliance Office (BCCO).

**E. MATERIAL CERTIFICATIONS**

1. Notice of Acceptance No. 05-1206.01 issued to Trinity Glass International, for their Unfinished Fiberglass Door Skin, expiring on 03/02/11.
2. Notice of Acceptance No. 07-0828.01 issued to Trinity Glass International, for their Trinity Lite Frame, expiring on 07/03/12.
3. Notice of Acceptance No. 05-1208.02 issued to DuPont DeNeumours, Inc. for their "Butacite PVB Interlayer", expiring on 12/11/10.
4. Test Report No. ETC-05-781-17122.1, prepared by ETC Laboratories., issued to Trinity Glass International, dated 10/19/05 and revised on 01/020/8, Polyurethane Foam, tested per ASTM 1929 D "Self Ignition Temperature"; ASTM E84 "Flame Spread Index" and "Smoke Developed Index", signed and sealed by Joseph Labora Doldan, P.E.

**F. STATEMENTS**

1. Statement letter of conformance and no financial interest, dated 01/14/08, signed and sealed by Lyndon Schmidt, P.E.
2. Statement letter of lab compliance as part of test report.

**G. OTHER**

1. "DSE-814" Silicone Adhesive Sealant by Dong Yang Silicone, co. Ishaq I. Chanda

**Ishaq I. Chanda, P. E.**

**Product Control Examiner**

**NOA No 06-1113.05**

**Expiration Date: February 21, 2013**

**Approval Date: February 21, 2008**



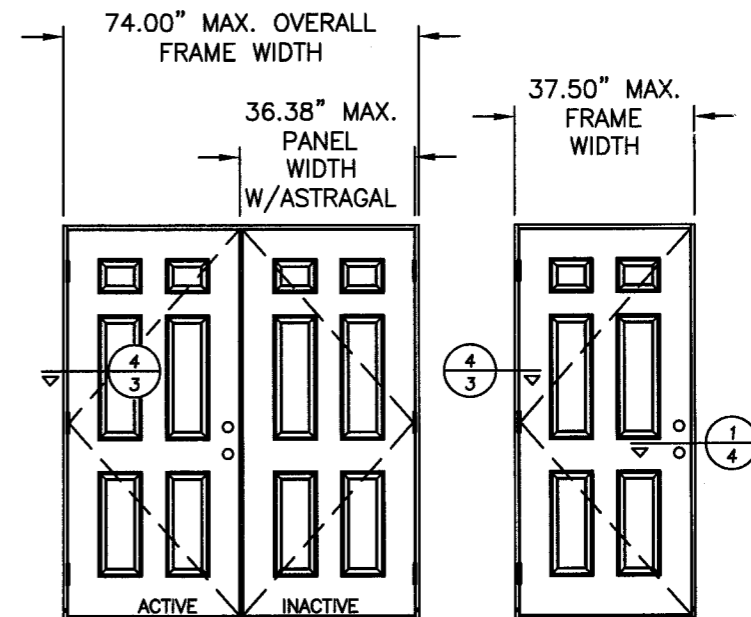
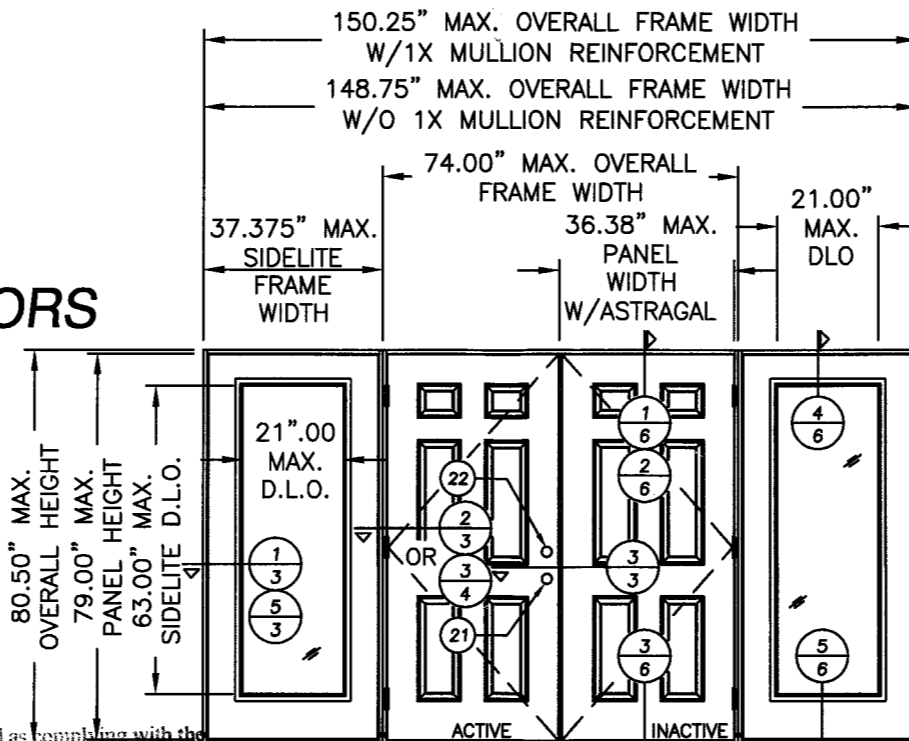
4621 192nd STREET EAST TACOMA, WA 98446  
 TEL: 253-875-7300 FAX: 253-875-7301

# OPAQUE FIBERGLASS OUTSWING DOORS WITH & W/OUT SIDELITE(S) "IMPACT"

## GENERAL NOTES

1. THIS PRODUCT HAS BEEN EVALUATED AND IS IN COMPLIANCE WITH THE 2004 FLORIDA BUILDING CODE INCLUDING THE "HIGH VELOCITY HURRICANE ZONE" ("HVHZ").
2. PRODUCT ANCHORS SHALL BE AS LISTED AND SPACED AS SHOWN ON DETAILS. ANCHOR EMBEDMENT TO BASE MATERIAL SHALL BE BEYOND WALL DRESSING OR STUCCO.
3. WHEN USED IN THE "HVHZ" THIS PRODUCT COMPLIES WITH SECTION 1626 OF THE FLORIDA BUILDING CODE AND DOES NOT REQUIRE AN IMPACT RESISTANT COVERING.
4. WHEN USED IN AREAS OUTSIDE OF THE "HVHZ" REQUIRING WIND-BORNE DEBRIS PROTECTION THIS PRODUCT COMPLIES WITH SECTION 1609.1.4 OF THE FLORIDA BUILDING CODE AND DOES NOT REQUIRE AN IMPACT RESISTANT COVERING.
5. FOR 2X STUD FRAMING CONSTRUCTION, THE ANCHORING OF THESE UNITS SHALL BE THE SAME AS THAT SHOWN FOR 2X BUCK MASONRY CONSTRUCTION.
6. SITE CONDITIONS THAT DEVIATE FROM THE DETAILS OF THIS DRAWING REQUIRE FURTHER ENGINEERING ANALYSIS BY A LICENSED ENGINEER OR A REGISTERED ARCHITECT AND TO BE APPROVED BY BUILDING OFFICIAL.
7. 1X AND 2X WOOD BUCKS BY OTHERS, MUST BE ANCHORED PROPERLY TO TRANSFER LOADS TO STRUCTURE AND TO BE REVIEWED BY BUILDING OFFICIAL.
8. FOR DESIGN PRESSURE RATING SEE CHART UNDER EACH PRODUCT ELEVATION.
9. THIS PRODUCT MEETS THE WATER REQUIREMENTS FOR THE HIGH VELOCITY HURRICANE ZONE (HVHZ).

Approved as complying with the Florida Building Code  
 Date FEB 21, 2008  
 NOA# 06-1113-05  
 Miami Dade Product Control Division  
 By Shay I. Chande



DESIGN PRESSURE (PSF)		
W/O MULLION REINFORCEMENT DETAIL (2/3)	+55.0	-55.0
W/MULLION REINFORCEMENT DETAIL (3/4)	+60.0	-60.0

DESIGN PRESSURE (PSF)		
	+60.0	-60.0
	+65.0	-65.0

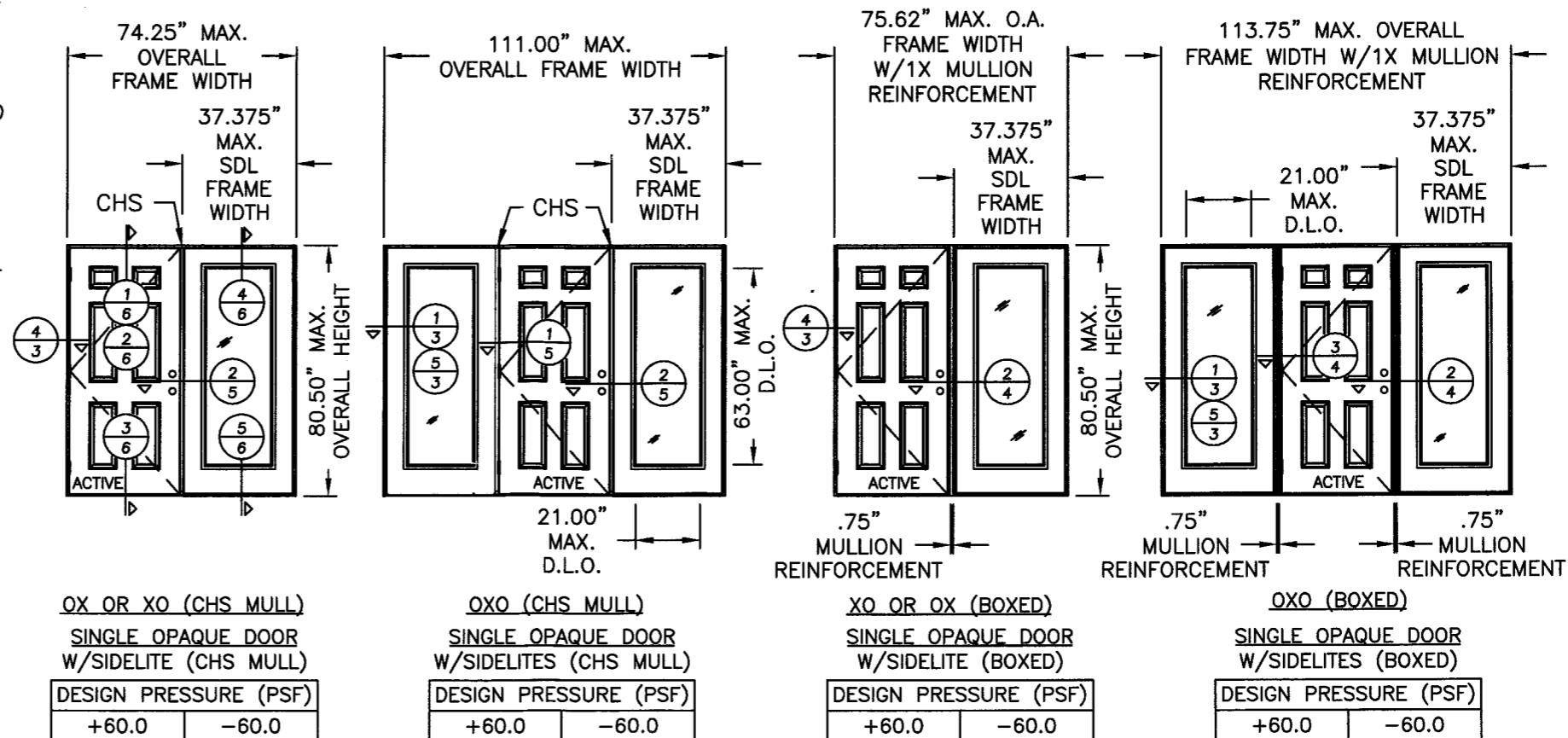


TABLE OF CONTENTS	
1	TYPICAL ELEVATIONS, DESIGN PRESSURES & GENERAL NOTES
2	DOOR / SIDELITE PANEL CROSS SECTIONS & GLAZING DETAIL
3	HORIZONTAL CROSS SECTIONS
4	HORIZONTAL CROSS SECTIONS
5	HORIZONTAL CROSS SECTIONS
6	VERTICAL CROSS SECTIONS
7	FRAME ANCHORING DOUBLE & DOUBLE BOXED UNITS
8	FRAME ANCHORING SINGLE & SINGLE BOXED UNITS
9	FRAME ANCHORING CHS UNITS
10	COMPONENTS
11	ASTRAGAL DETAILS
12	BILL OF MATERIALS & COMPONENTS

Documents Prepared By: **RW** BUILDING CONSULTANTS, INC.  
 P.O. Box 230 Vairico FL 33595  
 Phone No.: 813.659.9197  
 Florida Board of Professional Engineers  
 Certificate of Authorization No. 9813  
 Lyndon, F. Schmidt, P.E. No. 43409

PRODUCT: OPAQUE FIBERGLASS OUTSWING DOORS WITH & W/OUT SIDELITE(S)  
 PART OR ASSEMBLY:  
 TYPICAL ELEVATIONS, DESIGN PRESSURES & GENERAL NOTES

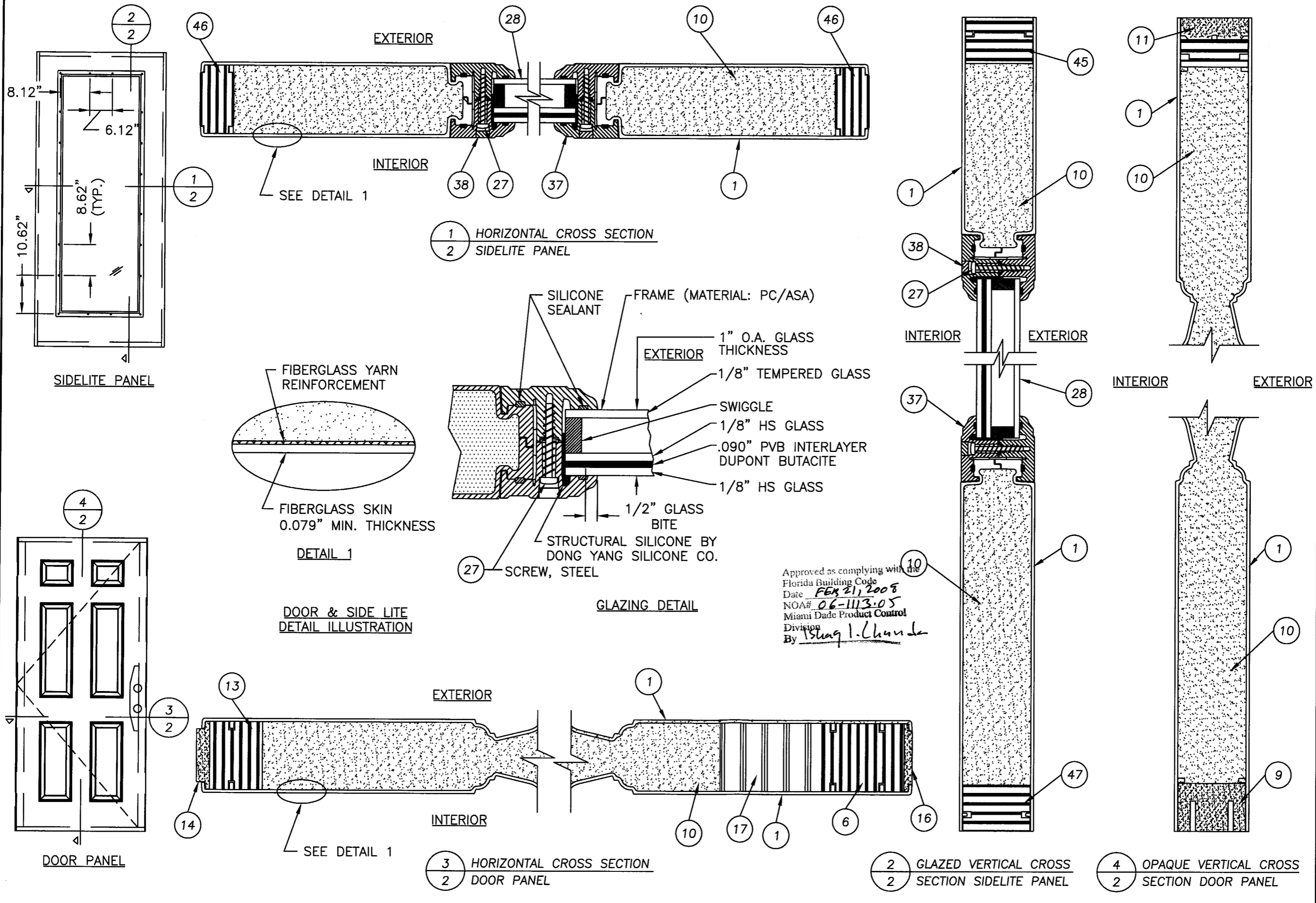
NO	DATE	BY	REVISIONS
2	01/14/08	YV	REVISED PER DADE LETTER
1	01/31/07	AEM	REVISED PER DADE NOTES

DATE: 10/05/06  
 SCALE: N.T.S.  
 DWG. BY: EW  
 CHK. BY: LFS  
 DRAWING NO.: S-2729  
 SHEET 1 of 12

R:\A - Projects\Project Folders\Proj 1001-1100\p1055\S-2729-REV2\S-2729.dwg, Model

© 2006 R.W. BUILDING CONSULTANTS INC.

R:\A - Projects\Project Folders\Proj 1001-1100\pf1055\S-2729-REV2\S-2729.dwg, Model



Approved as complying with the Florida Building Code  
 Date FEB 21, 2008  
 NOA# 06-1113.05  
 Miami Dade Product Control Division  
 By Shang L. Chen

Documents Prepared By: **RW** BUILDING CONSULTANTS, INC.  
 P.O. Box 230 Vairico FL 33595  
 Phone No.: 813.659.9197

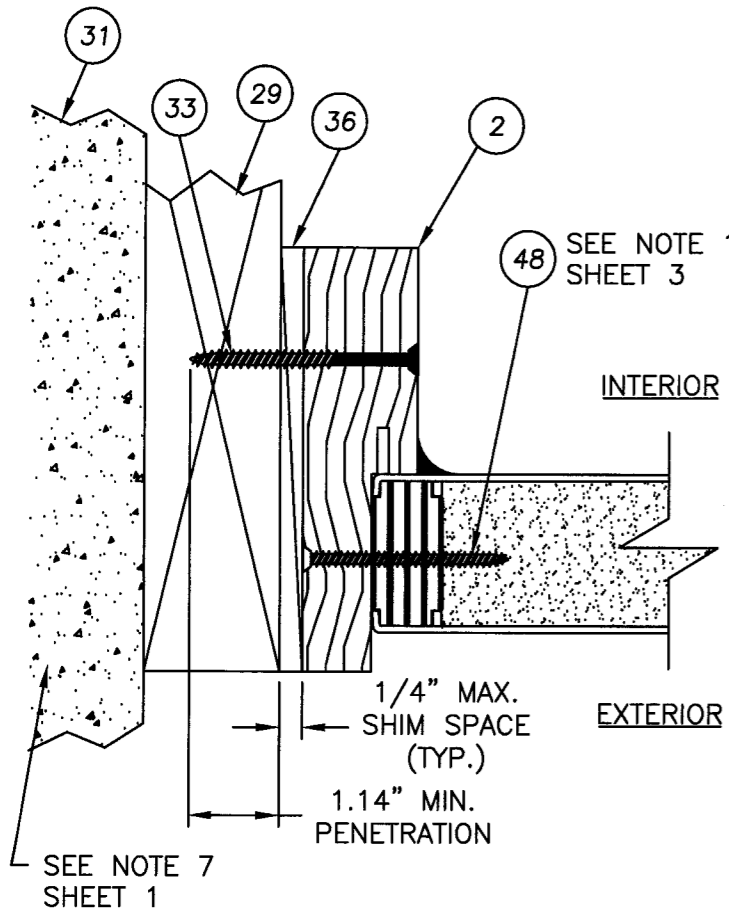
Florida Board of Professional Engineers  
 Certificate of Authorization No. 9813  
 Lyndon, F. Schmidt, P.E. No. 43409

PRODUCT: OPAQUE FIBERGLASS OUTSWING DOORS WITH & W/OUT SIDELITE(S)  
 PART OR ASSEMBLY: DOOR / SIDELITE PANEL CROSS SECTIONS & GLAZING DETAIL

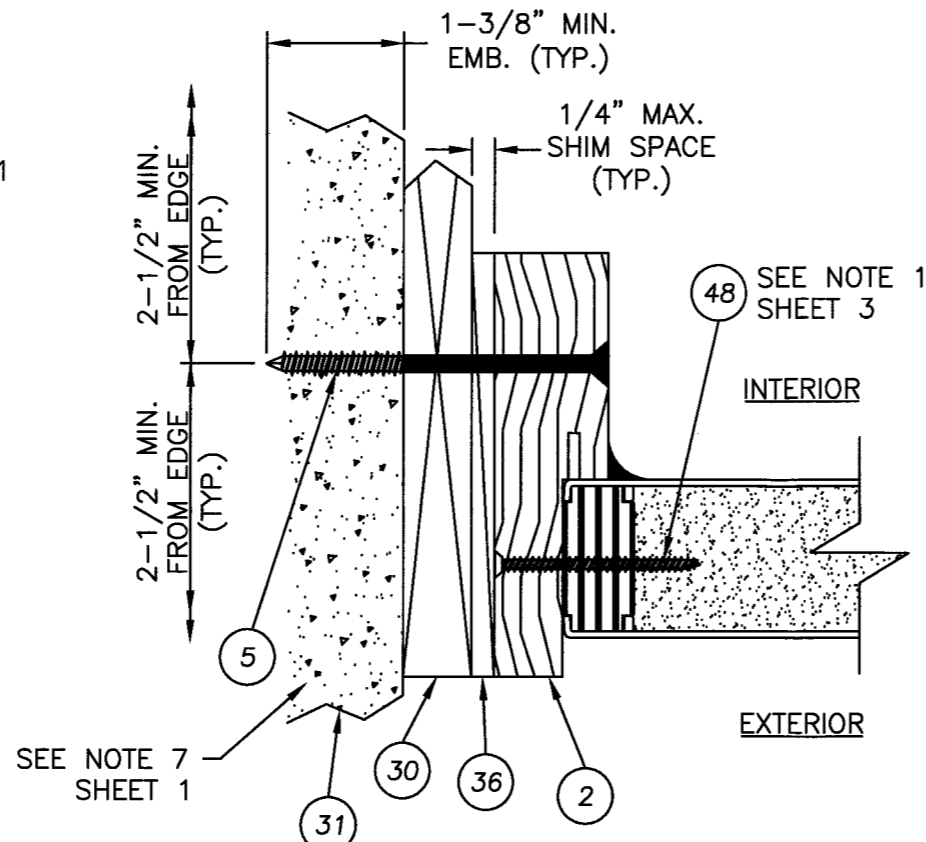
NO.	DATE	REVISIONS	BY
2	01/14/08	REVISED PER DADE LETTER	YV
1	01/31/07	REVISED PER DADE NOTES	AEM

DATE: 10/05/06  
 SCALE: N.T.S.  
 DWG. BY: EW  
 CHK. BY: LFS  
 DRAWING NO.: S-2729  
 SHEET 2 OF 12

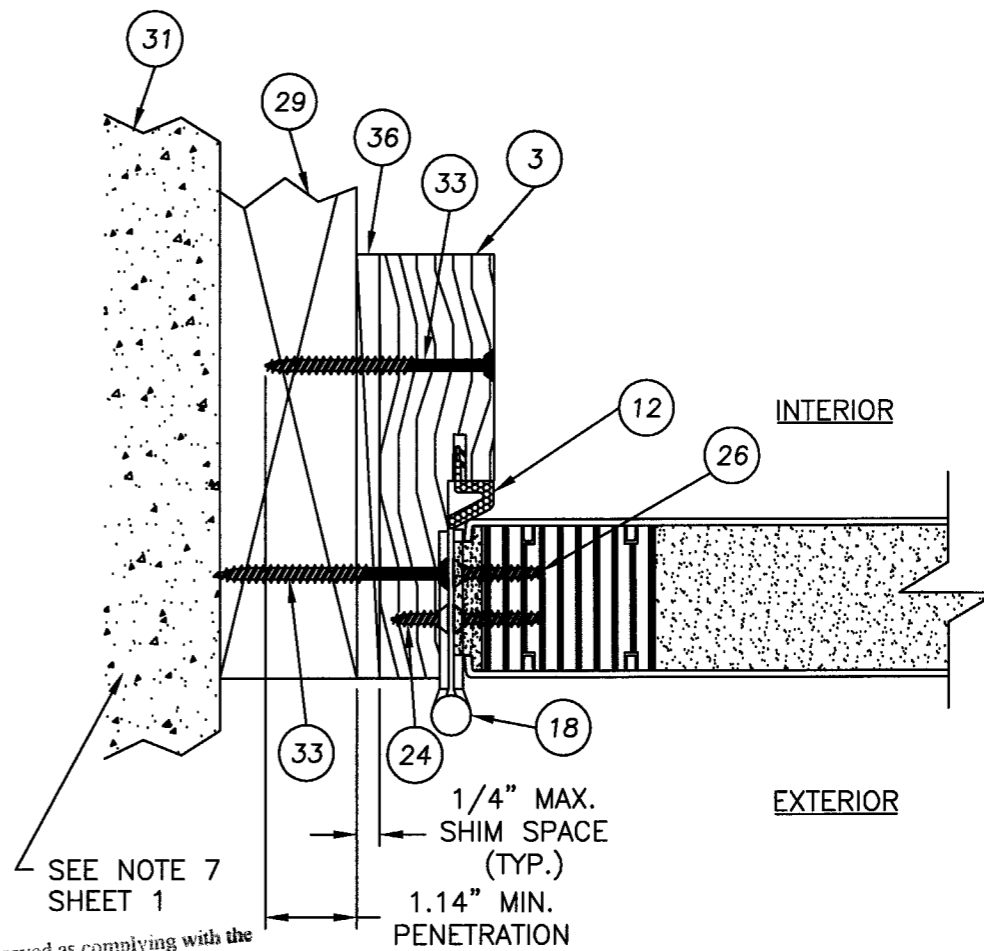
© 2006 R.W. BUILDING CONSULTANTS INC.



1 HORIZONTAL CROSS SECTION  
3 @ SIDELITE JAMB

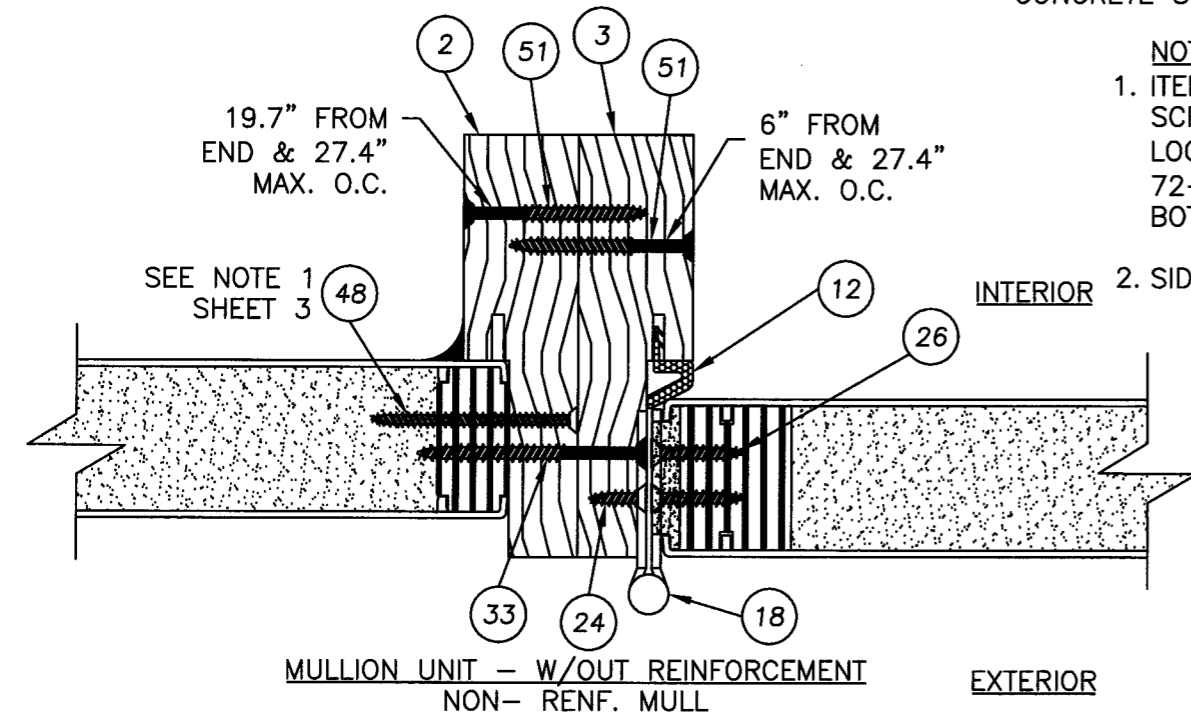


5 VERTICAL CROSS SECTION  
3 SHOWN W/1X SUB-BUCK SUBSTITUTING  
CONCRETE SCREWS FOR SCREWS



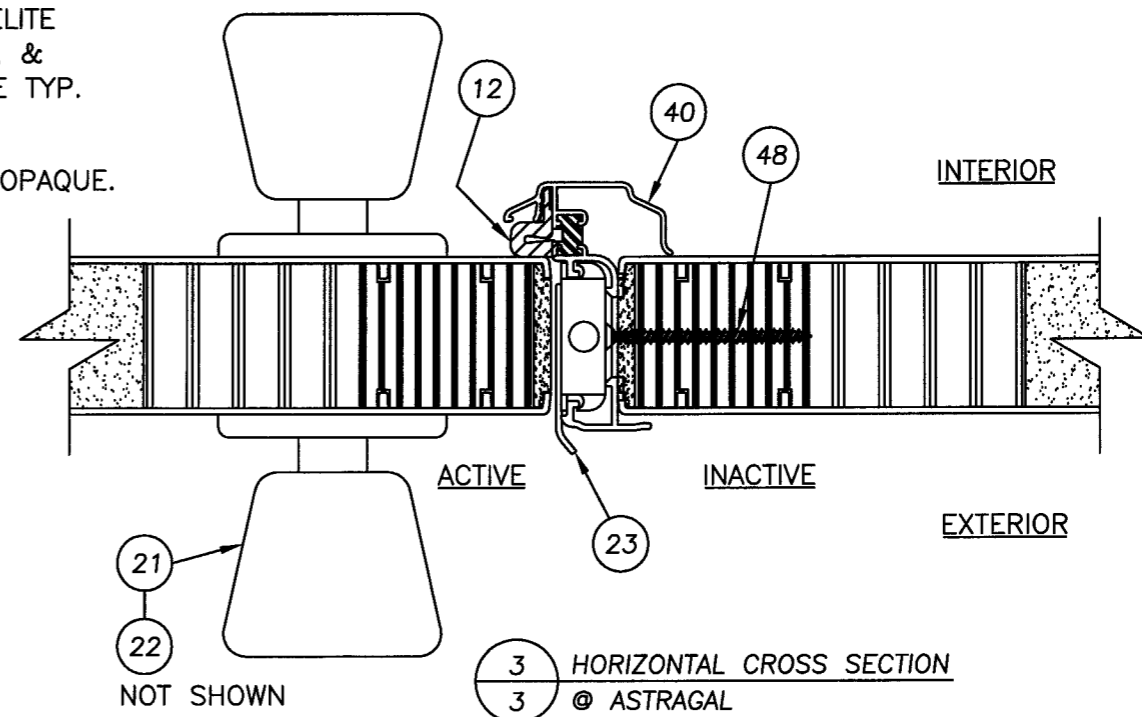
4 HORIZONTAL CROSS SECTION  
3 @ HINGE JAMB

Approved as complying with the  
Florida Building Code  
Date FEB 21 2008  
NOA# 06-1113-05  
Miami Dade Product Control  
Division  
By Shag I. Chaudhary



2 HORIZONTAL CROSS SECTION  
3 @ HINGE JAMB

- NOTES
- ITEM #48 - #9 X 2-1/4" PFH SCREWS THRU JAMB INTO SIDELITE LOCATED @ 6", 27", 50-1/4", & 72-1/8" FROM TOP OF FRAME TYP. BOTH SIDE JAMBS.
  - SIDELITE IS GLAZED, DOOR IS OPAQUE.



3 HORIZONTAL CROSS SECTION  
3 @ ASTRAGAL

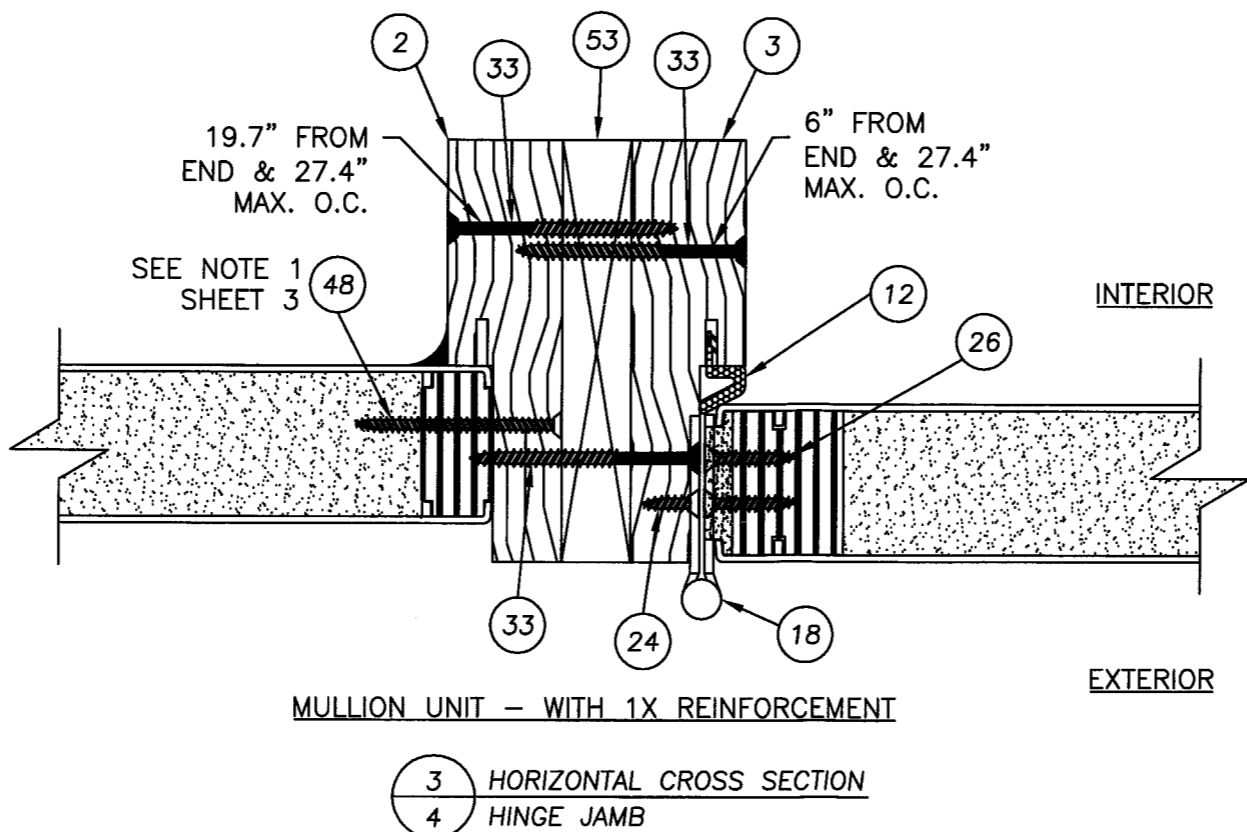
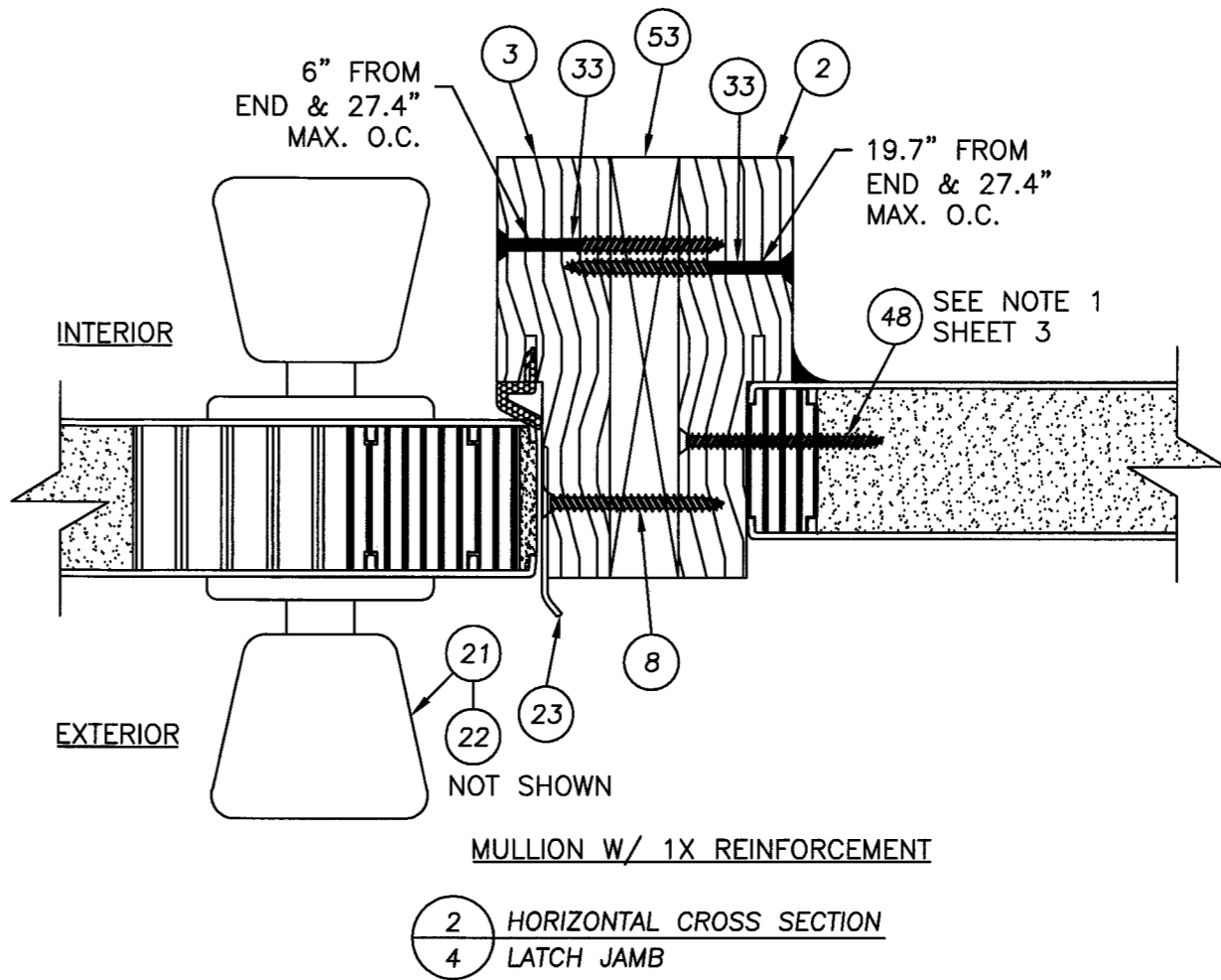
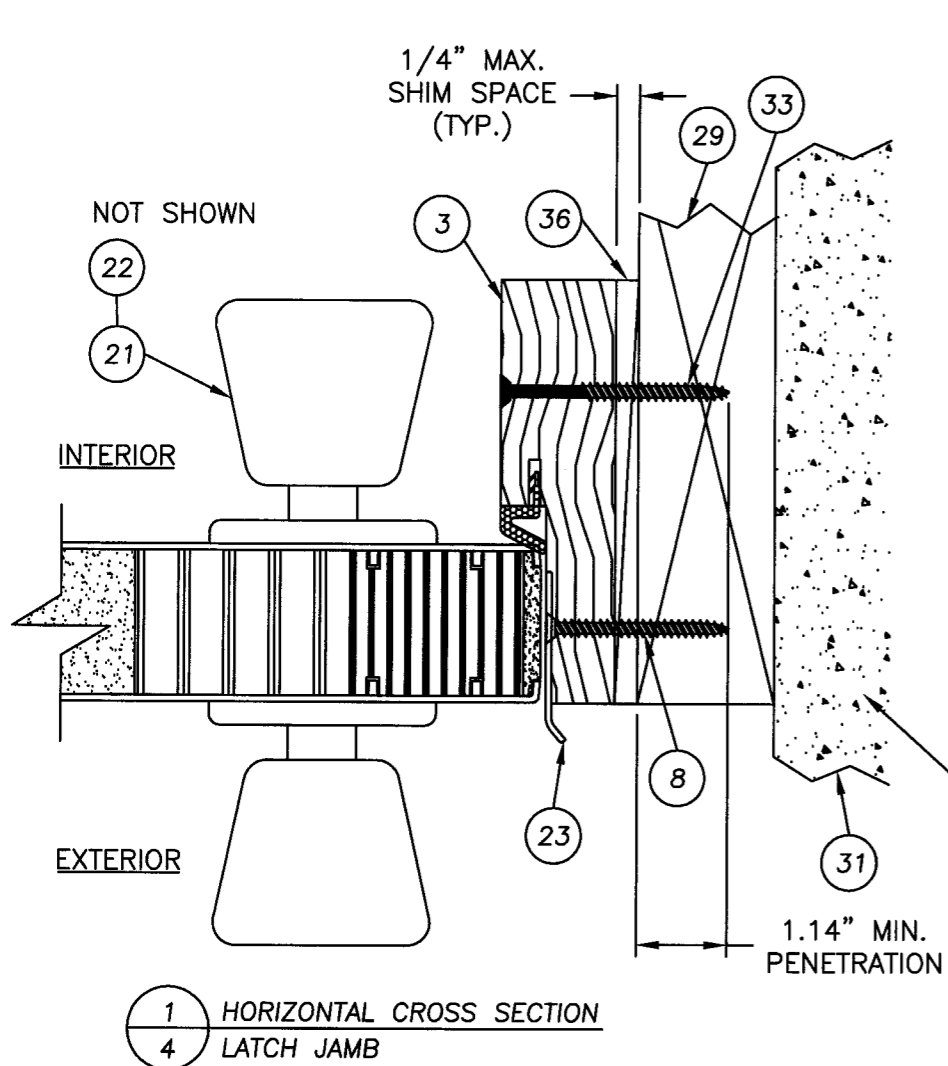
Documents Prepared By:  
R.W. BUILDING CONSULTANTS, INC.  
P.O. Box 230 Valrico FL 33595  
Phone No.: 813.659.9197  
Florida Board of Professional Engineers  
Certificate Of Authorization No. 9813  
Lynden, F. Schmidt, P.E. No. 43409

PRODUCT: OPAQUE FIBERGLASS  
OUTSWING DOORS WITH & W/OUT  
SIDELITE(S)  
PART OR ASSEMBLY:  
HORIZONTAL  
CROSS SECTIONS

NO.	DATE	REVISIONS
2	01/14/08	REVISED PER DADE LETTER
1	01/31/07	REVISED PER DADE NOTES
YV		BY
AEM		BY

DATE: 10/05/06  
SCALE: N.T.S.  
DWG. BY: EW  
CHK. BY: LFS  
DRAWING NO.: FL-2729  
SHEET 3 OF 12

R:\A - Projects\Project Folders\Proj 1001-1100\p1055\S-2729-REV2\S-2729.dwg, Model



Approved as complying with the Florida Building Code  
 Date FEB 21, 2008  
 NOA# 06-1113-05  
 Miami Dade Product Control  
 Division  
 By *Iskag I. Chaudhry*

Documents Prepared By: **RW** BUILDING CONSULTANTS, INC.  
 P.O. Box 230 Vairico FL 33595  
 Phone No.: 813.659.9197  
 Florida Board of Professional Engineers  
 Certificate Of Registration No. 9813  
 Lyndon, F. Schmidt, P.E. No. 43409

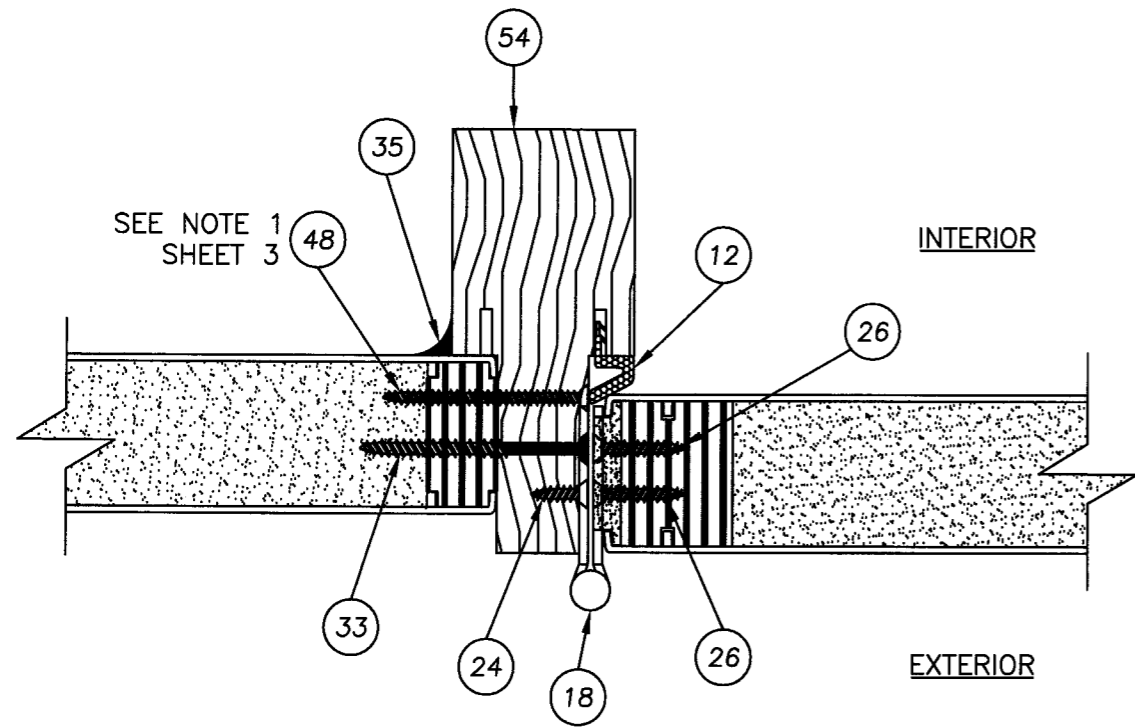
PRODUCT: OPAQUE FIBERGLASS OUTSWING DOORS WITH & W/O SIDELITE(S)  
 PART OR ASSEMBLY: HORIZONTAL CROSS SECTIONS

NO.	DATE	REVISIONS	BY
2	01/14/08	REVISED PER DADE LETTER	YV
1	01/31/07	REVISED PER DADE NOTES	AEM

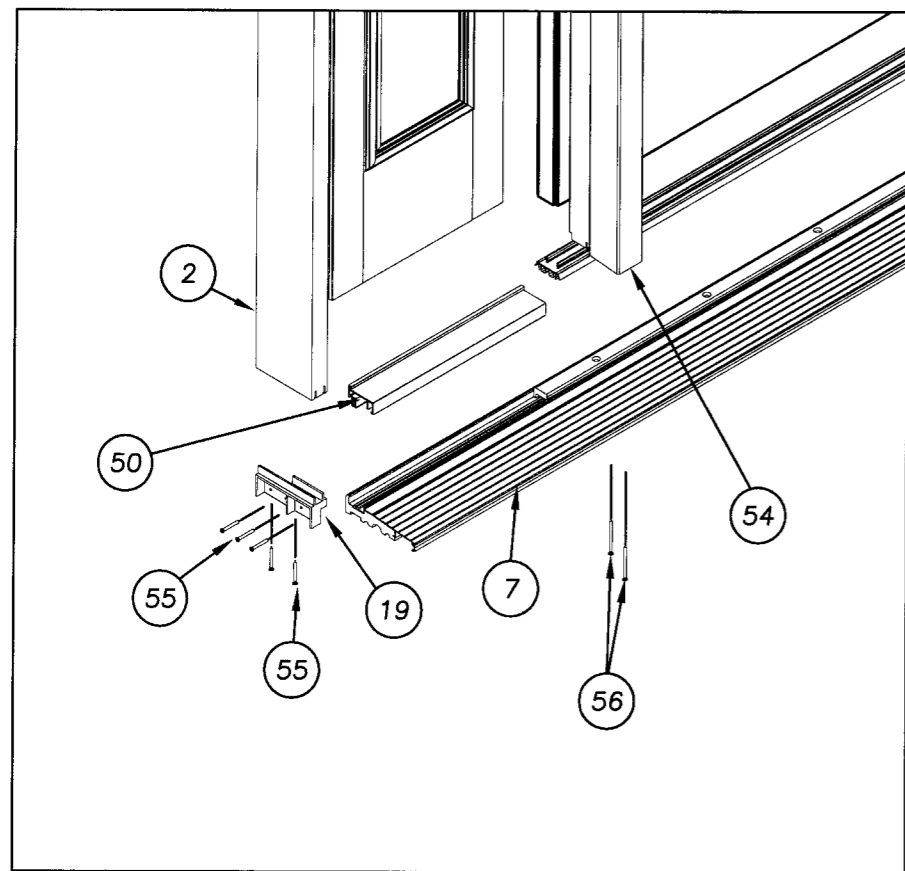
DATE: 10/05/06  
 SCALE: N.T.S.  
 DWG. BY: EW  
 CHK. BY: LFS  
 DRAWING NO.: FL-2729  
 SHEET 4 OF 12

© 2006 R.W. BUILDING CONSULTANTS INC.

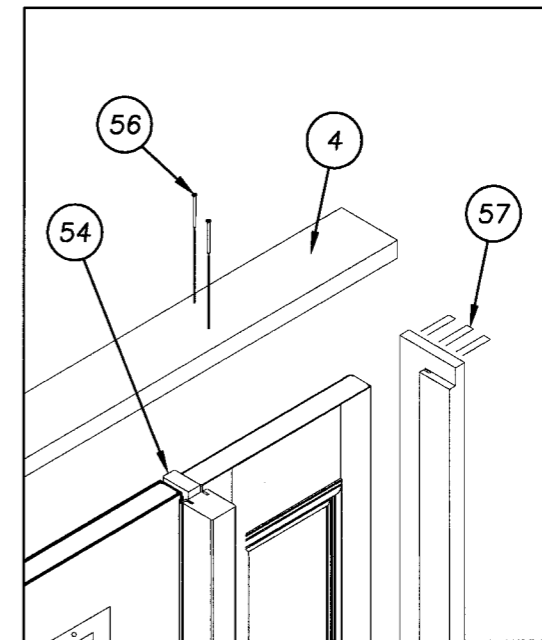
R:\A - Projects\Project Folders\Proj 1001-1100\pf1055\S-2729-REV2\S-2729.dwg, Model



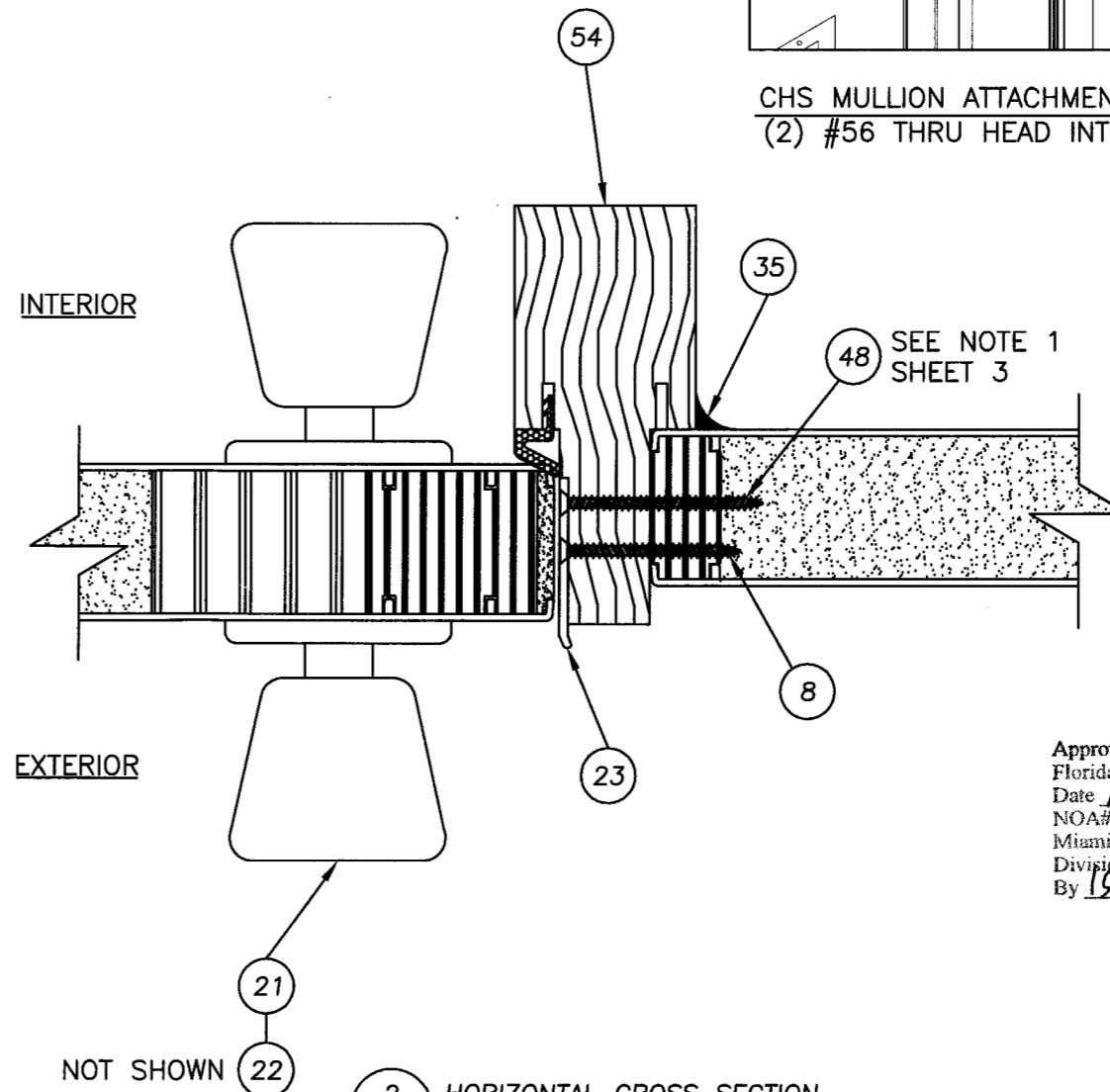
1 HORIZONTAL CROSS SECTION  
5 @ HINGE (CHS) W/INTEGRAL MULLION



CHS MULLION ATTACHMENT AT SILL  
(2) #56 THRU SILL INTO MULLION



CHS MULLION ATTACHMENT AT HEAD  
(2) #56 THRU HEAD INTO MULLION



2 HORIZONTAL CROSS SECTION  
5 @ LATCH (CHS) W/INTEGRAL MULLION

Approved as complying with the  
Florida Building Code  
Date *FEB 21, 2008*  
NOA# *06-1113-05*  
Miami Dade Product Control  
Division  
By *Blaug L. Llaneta*

Documents Prepared By:

**RW** BUILDING CONSULTANTS, INC.  
P.O. Box 230 Valrico FL 33595  
Phone No.: 813.659.9197  
Florida Board of Professional Engineers  
Certificate Of Authorization No. 9813

Lyndon, F. Schmidt, P.E. No. 43408

PRODUCT:  
OPAQUE FIBERGLASS  
OUTSWING DOORS WITH & W/OUT  
SIDELITE(S)

PART OR ASSEMBLY:  
HORIZONTAL  
CROSS SECTIONS

NO.	DATE	REVISIONS	BY
2	01/14/08	REVISED PER DADE LETTER	YV
1	01/31/07	REVISED PER DADE NOTES	AEM

DATE: 10/05/06

SCALE: N.T.S.

DWG. BY: EW

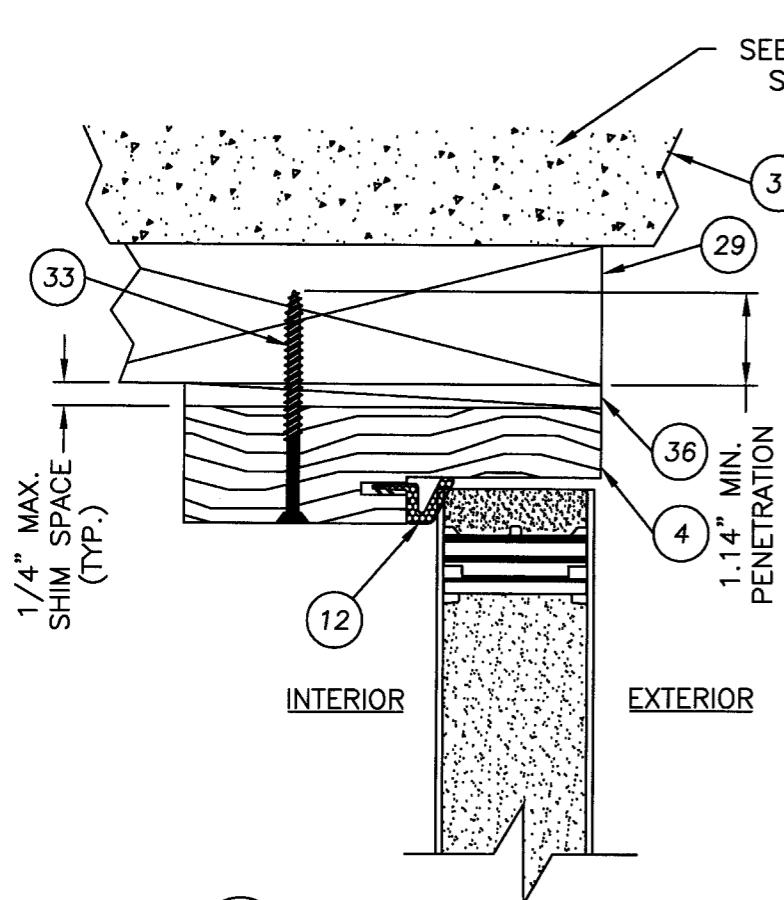
CHK. BY: LFS

DRAWING NO.:

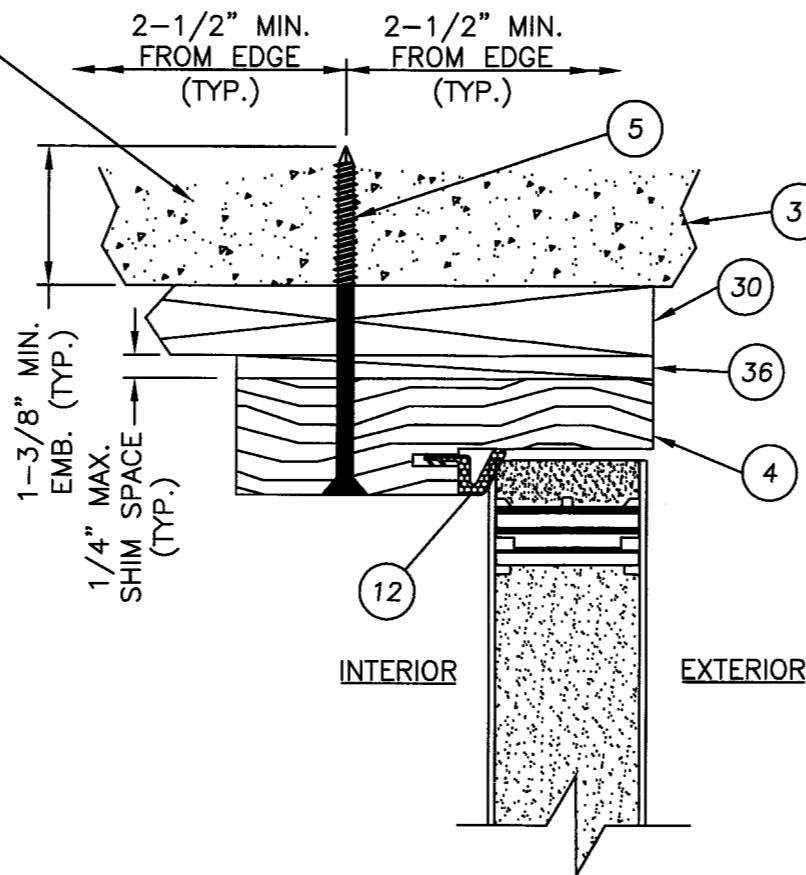
S-2729

SHEET 5 OF 12

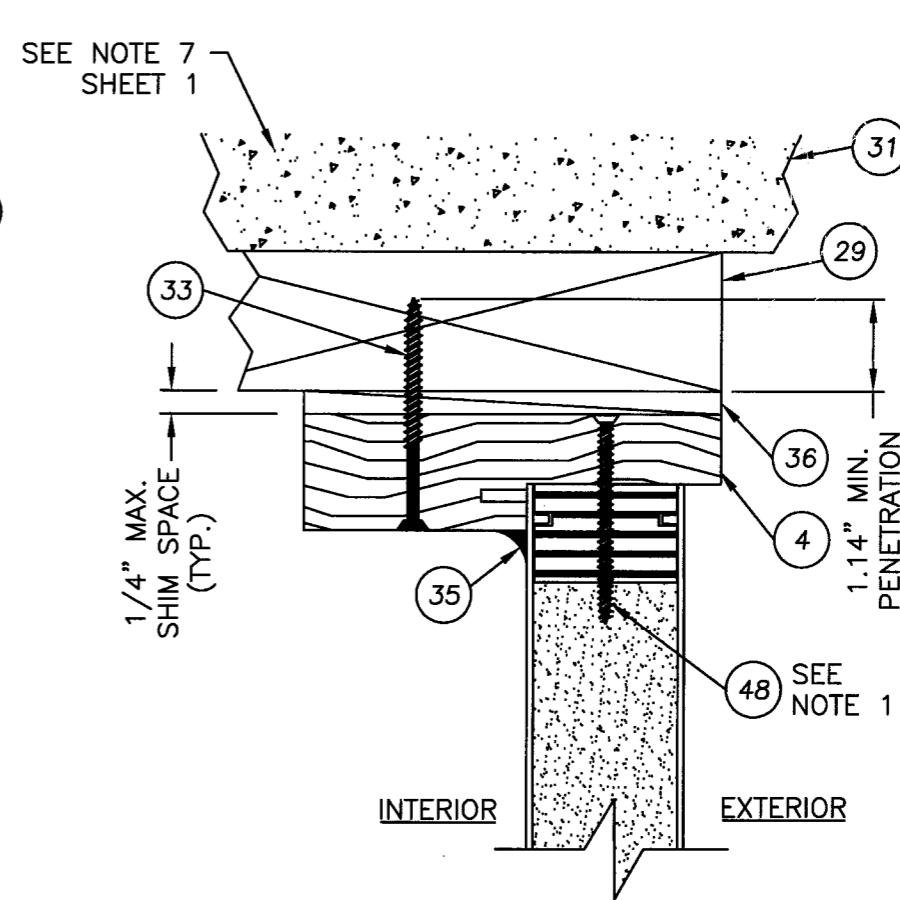
R:\A - Projects\Project Folders\Proj 1001-1100\p1055\S-2729-REV2\S-2729.dwg, Model



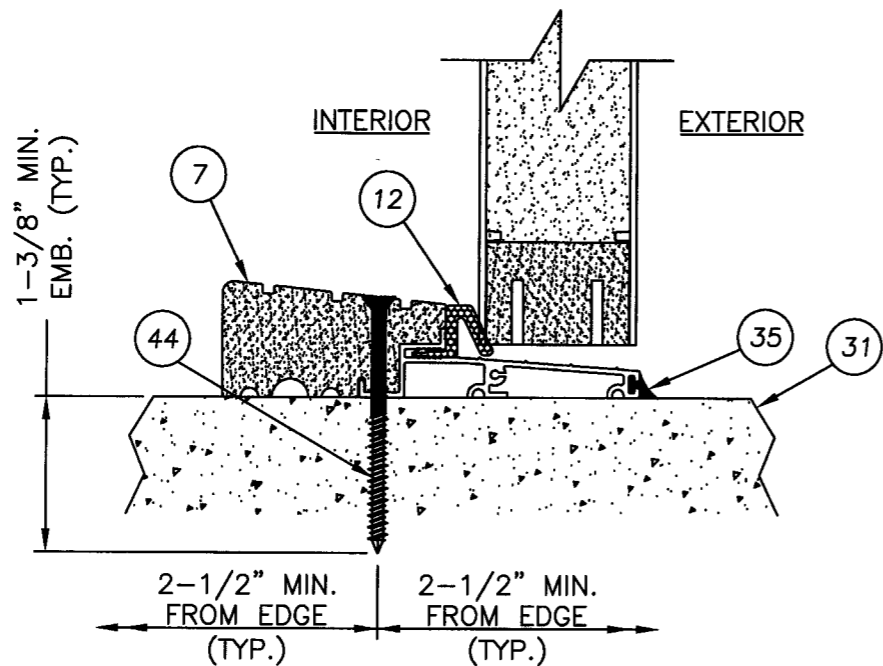
1 VERTICAL CROSS SECTION  
6 HEAD JAMB - DOOR



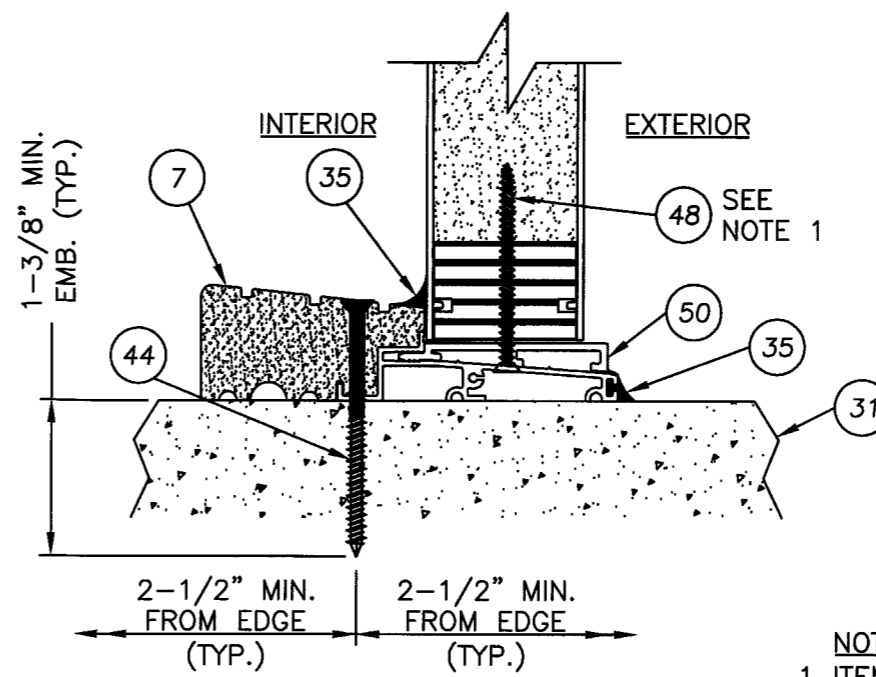
2 VERTICAL CROSS SECTION  
6 SHOWN W/1X SUB-BUCK SUBSTITUTING  
CONCRETE SCREWS FOR SCREWS



4 VERTICAL CROSS SECTION  
6 HEAD JAMB - SIDELITE



3 VERTICAL CROSS SECTION  
6 OUTSWING THRESHOLD - DOOR



5 VERTICAL CROSS SECTION  
6 OUTSWING - SIDELITE

NOTE  
1. ITEM #48 - #9 X 2-1/4" PFH SCREWS THRU HEAD & SILL JAMB LOCATED 3" FROM EACH FRAME END AND ON CENTER LINE.

Approved as complying with the  
Florida Building Code  
Date FEB 21, 2008  
MOA# 06-1113-05  
Miami Dade Product Control  
Shag L. Chanda

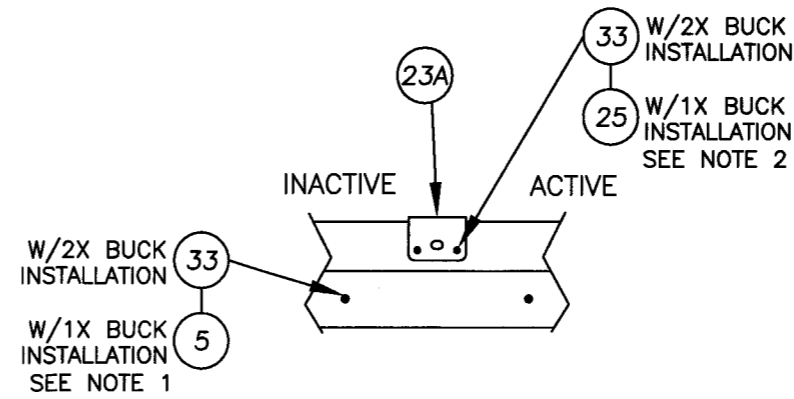
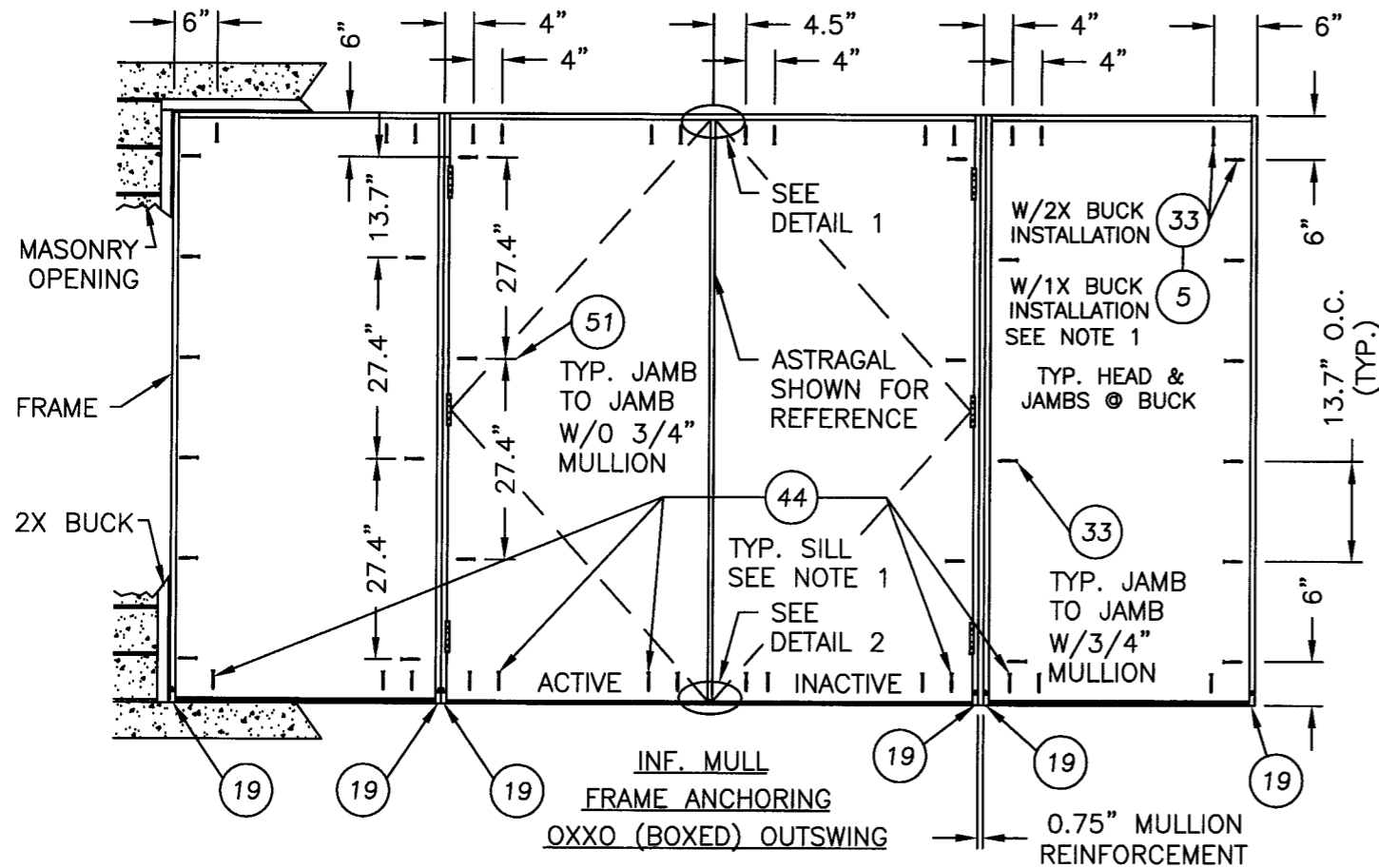
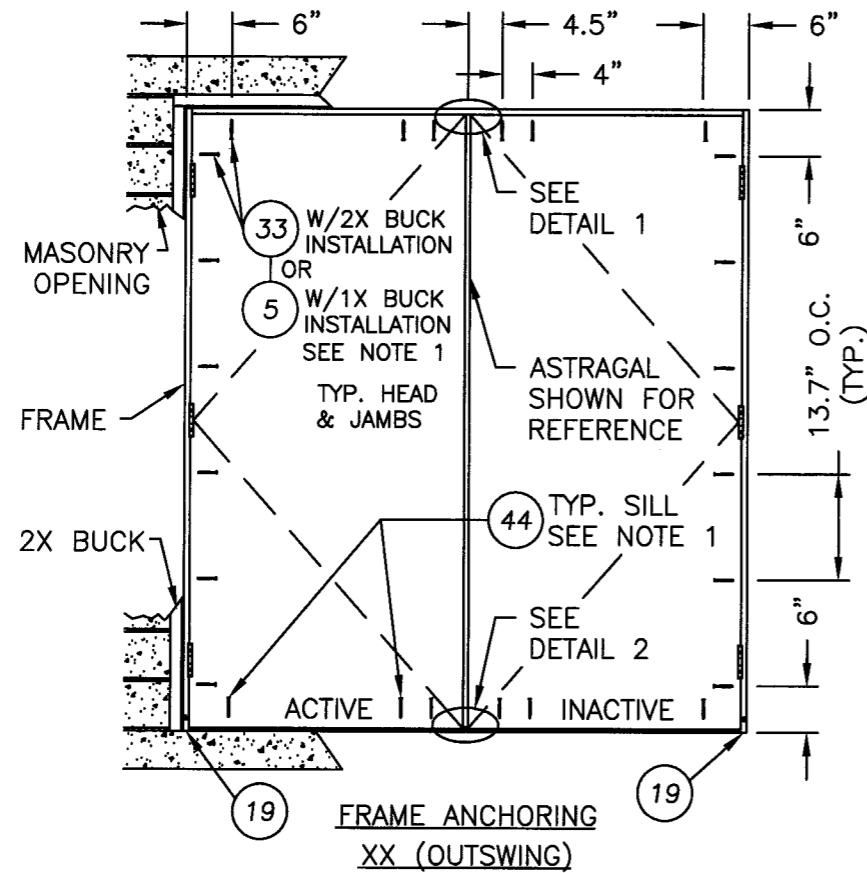
Documents Prepared By: **RW** BUILDING CONSULTANTS, INC.  
P.O. Box 230 Valrico FL 33595  
Phone No.: 813.659.9197  
Florida Board of Professional Engineers  
Certificate Of Authorization No. 9813  
Lyndon, F. Schmidt, P.E. No. 43409

PRODUCT: OPAQUE FIBERGLASS OUTSWING DOORS WITH & W/OUT SIDELITE(S)  
PART OR ASSEMBLY: VERTICAL CROSS SECTIONS

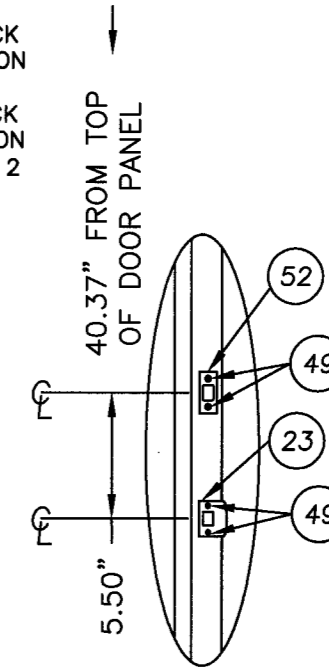
NO.	DATE	REVISIONS	YV	AEM	BY
2	01/14/08	REVISED PER DADE LETTER			
1	01/31/07	REVISED PER DADE NOTES			

DATE: 10/05/06  
SCALE: N.T.S.  
DWG. BY: EW  
CHK. BY: LFS  
DRAWING NO.: S-2729  
SHEET 6 OF 12

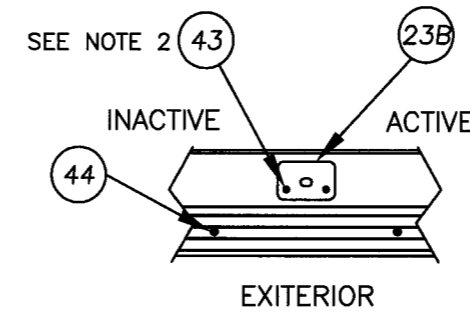
© 2006 R.W. BUILDING CONSULTANTS INC.



DETAIL 1  
© HEAD

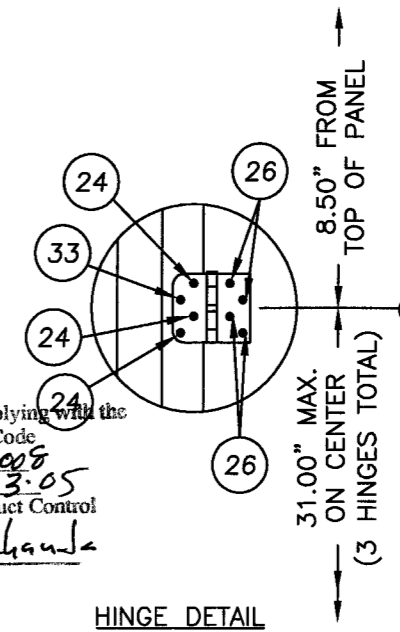


STRIKE PLATE DETAIL  
© ASTRAGAL



DETAIL 2  
© SILL

Approved as complying with the Florida Building Code  
Date FEB 21 2008  
NOA# 06-103-05  
Miami Dade Product Control  
Division  
By Shaqi Chanda



HINGE DETAIL

NOTES:

- 1/4" ELCO OR ITW CONCRETE SCREWS ANCHORING FRAME AND/OR SILL REQUIRE A MINIMUM 2-1/2" CLEARANCE TO MASONRY EDGES AND A MINIMUM 4" CLEARANCE TO ADJACENT CONCRETE SCREWS WITH MINIMUM 1-1/4" EMBEDMENT.
- 3/16" CONCRETE SCREWS ANCHORING ASTRAGAL STRIKE PLATE AT HEAD OR SILL REQUIRE A MINIMUM 2" CLEARANCE TO MASONRY EDGES AND A MINIMUM 2-5/8" CLEARANCE TO ADJACENT CONCRETE SCREWS UNLESS OTHERWISE NOTED BY CONCRETE SCREW MANUFACTURER.

Documents Prepared By:  
**RW** BUILDING CONSULTANTS, INC.  
P.O. Box 230 Valrico FL 33595  
Phone No.: 813.659.9197  
Florida Board of Professional Engineers  
Certificate of Authorization No. 9813  
Lyndon, F. Schmidt, P.E. No. 43409

PRODUCT: OPAQUE FIBERGLASS  
OUTSWING DOORS WITH & W/OUT  
SIDELITE(S)  
PART OR ASSEMBLY:  
FRAME ANCHORING  
DOUBLE & DOUBLE BOXED UNITS

NO.	DATE	REVISIONS
2	01/14/08	REVISED PER DADE LETTER
1	01/31/07	REVISED PER DADE NOTES

DATE: 10/05/06

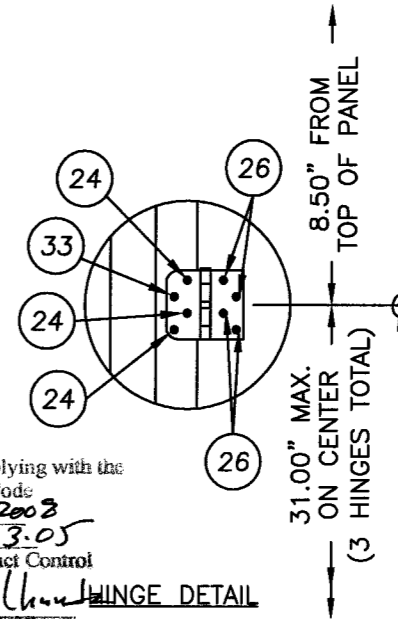
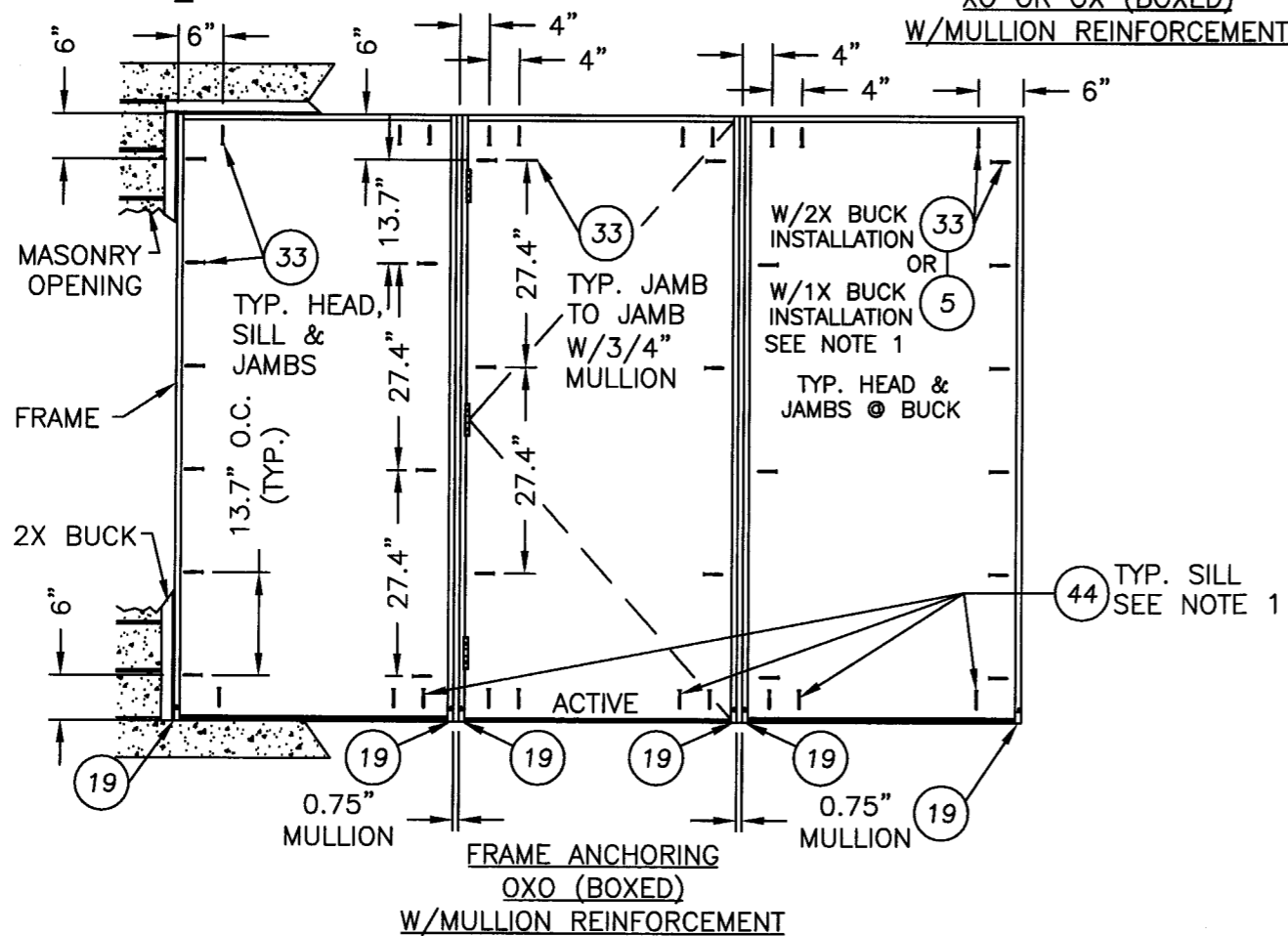
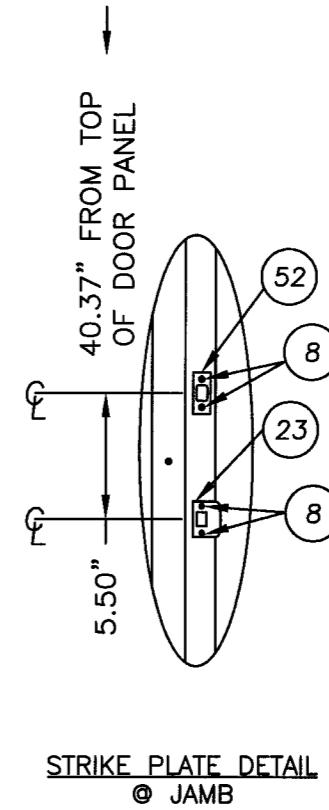
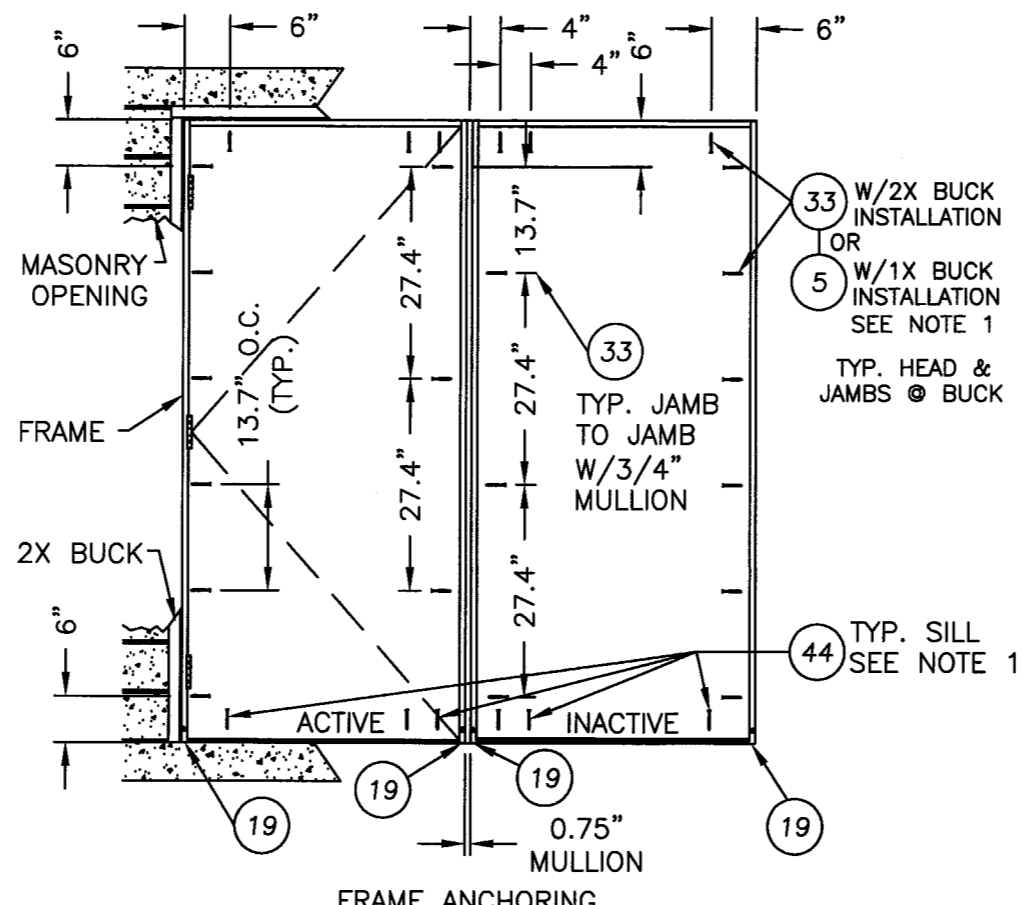
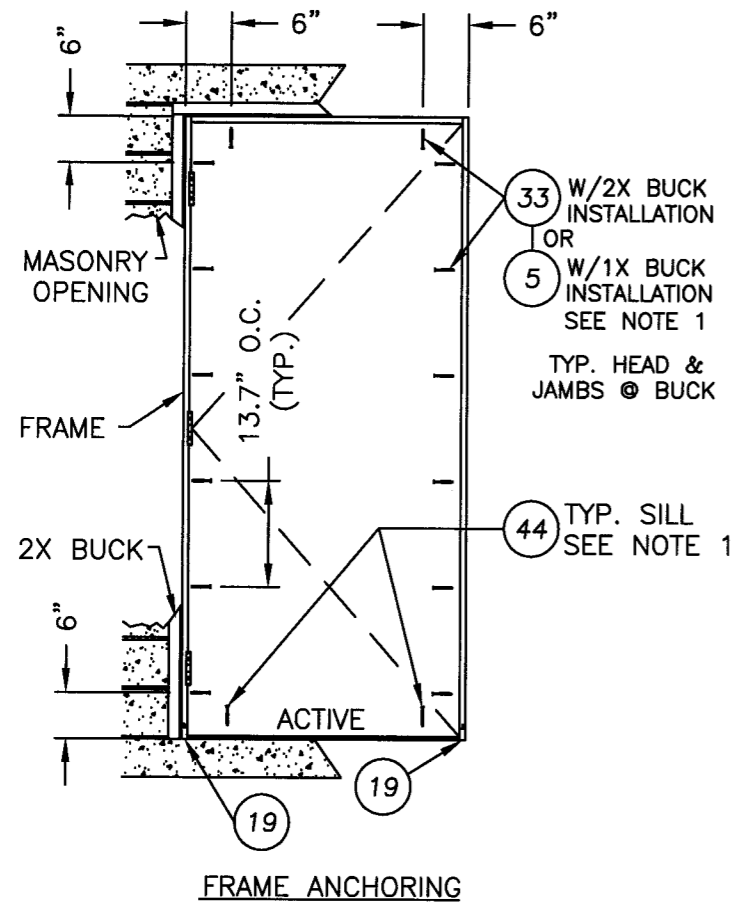
SCALE: N.T.S.

DWG. BY: EW

CHK. BY: LFS

DRAWING NO.: S-2729

SHEET 7 OF 12



Approved as complying with the Florida Building Code  
 Date FEB 21, 2008  
 NOA# 06-1113.05  
 Miami Dade Product Control  
 Division  
 By: R. K. Agg. / L. Schmidt

**NOTES:**

- 1/4" ELCO OR ITW CONCRETE SCREWS ANCHORING FRAME AND/OR SILL REQUIRE A MINIMUM 2-1/2" CLEARANCE TO MASONRY EDGES AND A MINIMUM 4" CLEARANCE TO ADJACENT CONCRETE SCREWS WITH MINIMUM 1-1/4" EMBEDMENT.

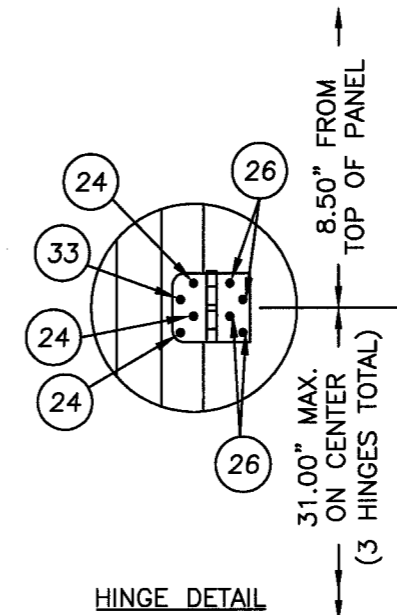
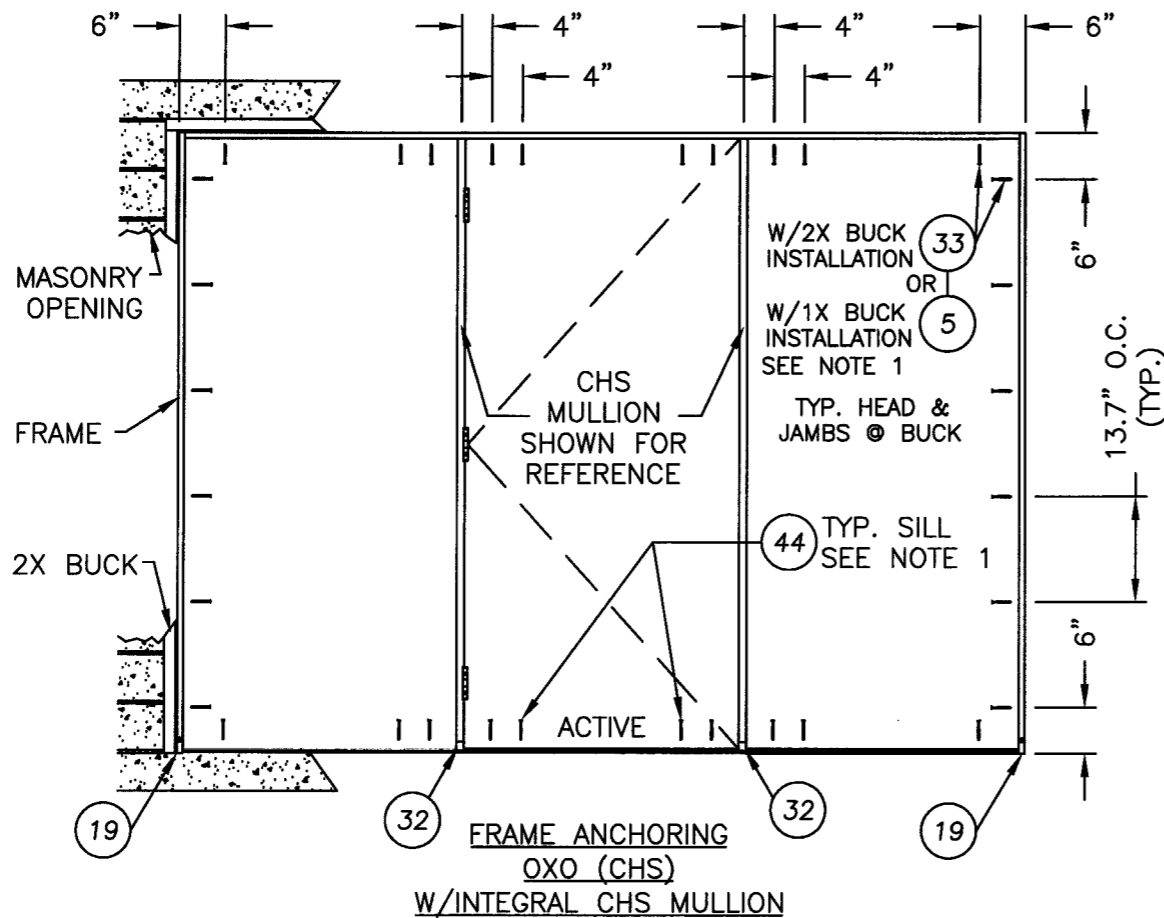
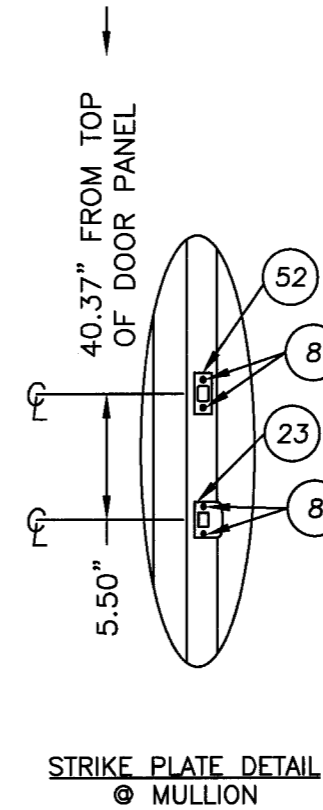
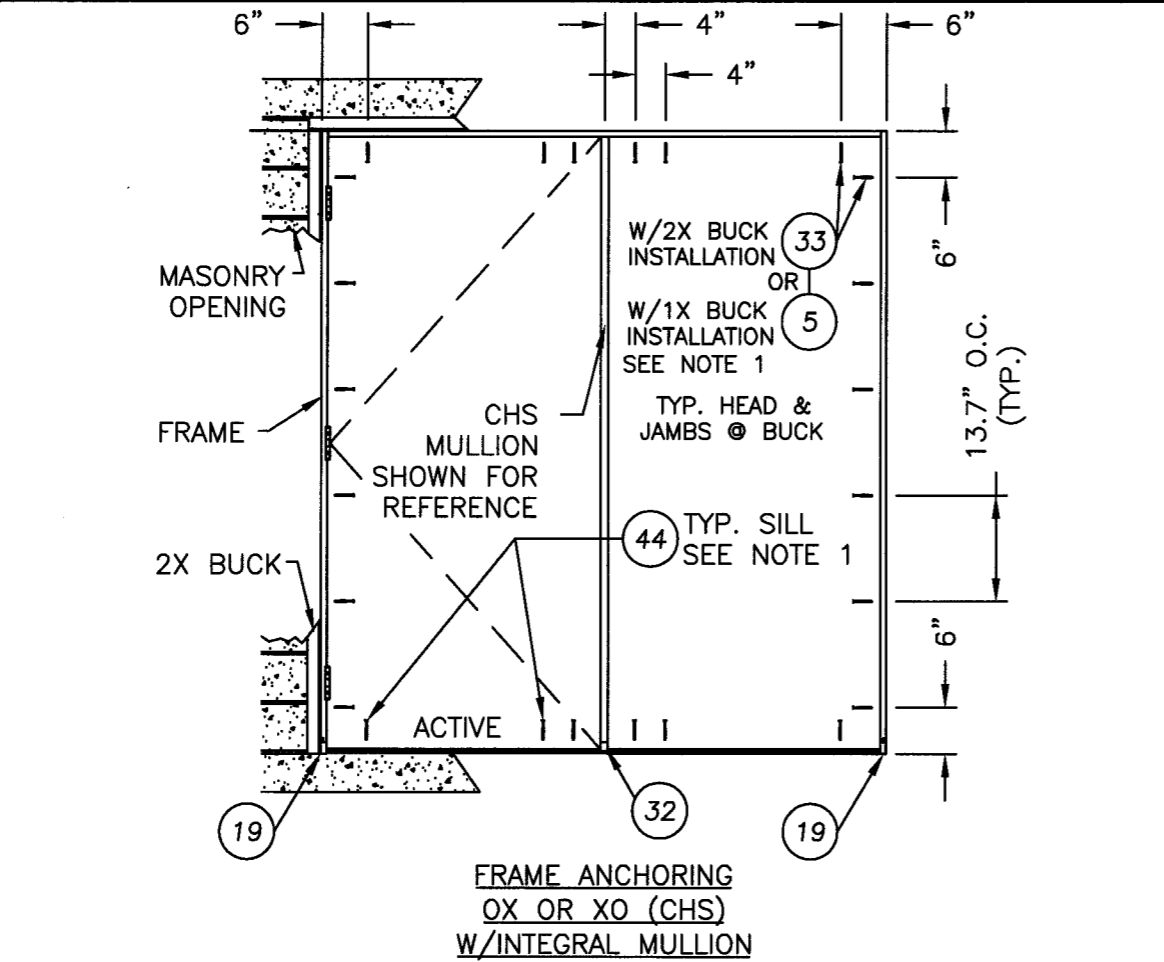
Documents Prepared By: **R.W. BUILDING CONSULTANTS, INC.**  
 P.O. Box 230 Valrico FL 33595  
 Phone No.: 813.659.9197  
 Florida Board of Professional Engineers  
 Certificate of Authorization No. 9813  
 Lyndon, F. Schmidt, P.E. No. 43409

**PRODUCT:** OPAQUE FIBERGLASS OUTSWING DOORS WITH & W/O SIDELITE(S)

**PART OR ASSEMBLY:** FRAME ANCHORING SINGLE & SINGLE BOXED UNITS

NO.	DATE	REVISIONS
2	01/14/08	REVISED PER DADE LETTER
1	01/31/07	REVISED PER DADE NOTES

DATE: 10/05/06  
 SCALE: N.T.S.  
 DWG. BY: EW  
 CHK. BY: LFS  
 DRAWING NO.: S-2729  
 SHEET 8 OF 12

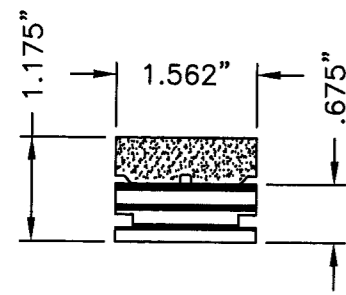


Approved as complying with the Florida Building Code  
Date FEB 21, 2008  
NOA# 06-1113-05  
Miami Dade Product Control Division  
By: *Shayl Chaudhary*

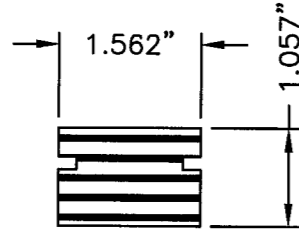
NOTES:

- 1/4" ELCO OR ITW CONCRETE SCREWS ANCHORING FRAME AND/OR SILL REQUIRE A MINIMUM 2-1/2" CLEARANCE TO MASONRY EDGES AND A MINIMUM 4" CLEARANCE TO ADJACENT CONCRETE SCREWS WITH MINIMUM 1-1/4" EMBEDMENT.

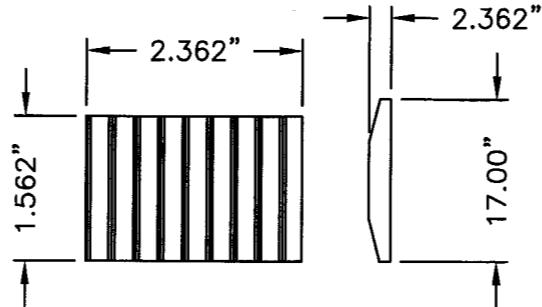
Documents Prepared By:		BUILDING CONSULTANTS, INC. P.O. Box 230 Valrico FL 33595 Phone No.: 813.659.9197 Florida Board of Professional Engineers Certificate of Authorization No. 9813 Lyndon, F. Schmidt, P.E. No. 43409	
PRODUCT:	OPAQUE FIBERGLASS OUTSWING DOORS WITH & W/OUT SIDELITE(S)	PART OR ASSEMBLY:	FRAME ANCHORING CHS UNITS
		REVISIONS	
		NO.	DATE
2	01/14/08	REVISOR	YV
1	01/31/07	REVISOR	AEM
		BY	BY
DATE: 10/05/06		SCALE: N.T.S.	
DWG. BY: EW		CHK. BY: LFS	
DRAWING NO.: S-2729		SHEET 9 OF 12	



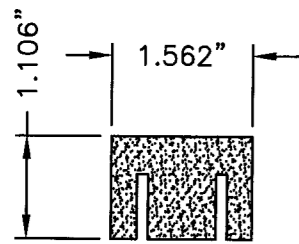
11 TOP RAIL DOOR



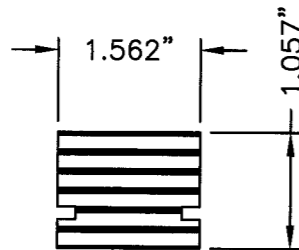
45 TOP RAIL SIDELITE



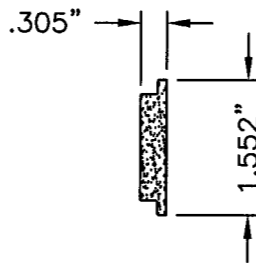
17 LOCK BLOCK



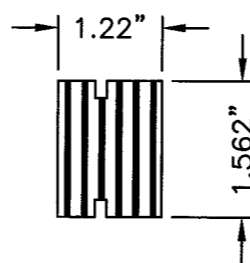
9 BOTTOM RAIL DOOR



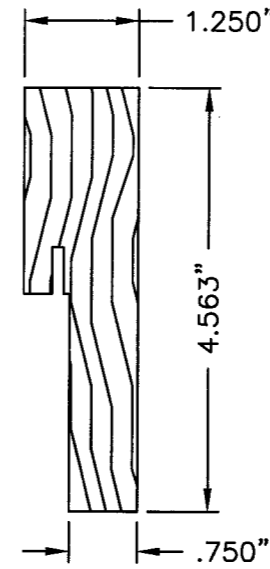
47 BOTTOM RAIL SIDELITE



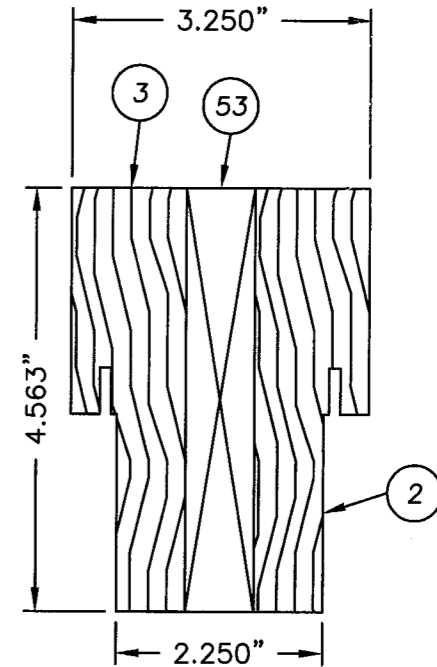
14 HINGE STILE EDGE



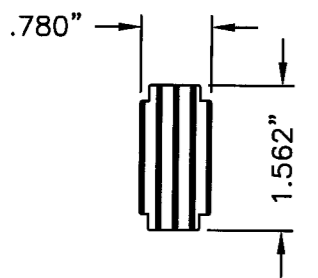
13 HINGE STILE SUPPORTER



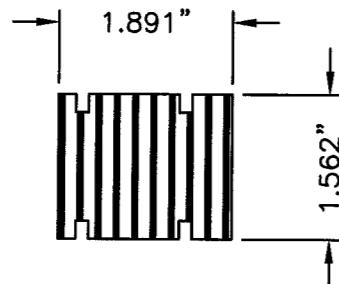
2 3 4 JAMBS



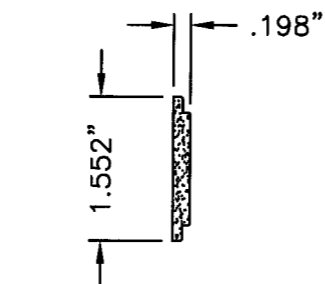
2 3 53 1X REINFORCED MULLION



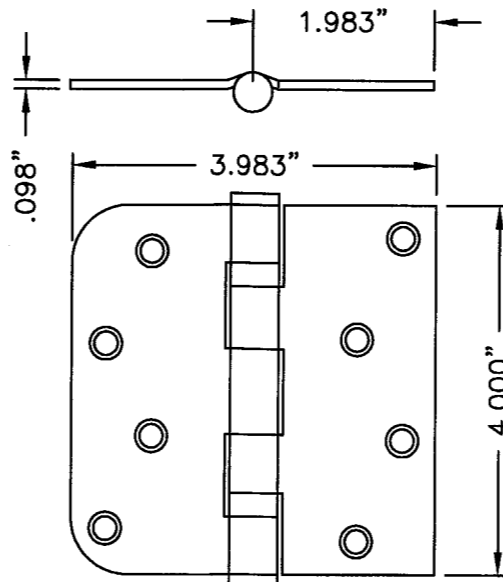
46 SIDELITE STILE



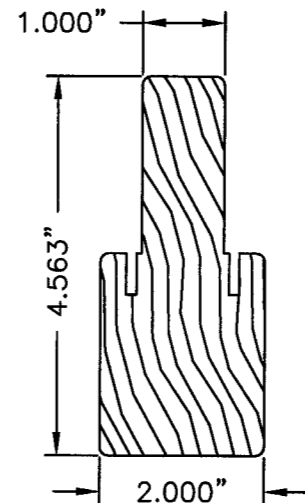
6 LATCH STILE SUPPORT



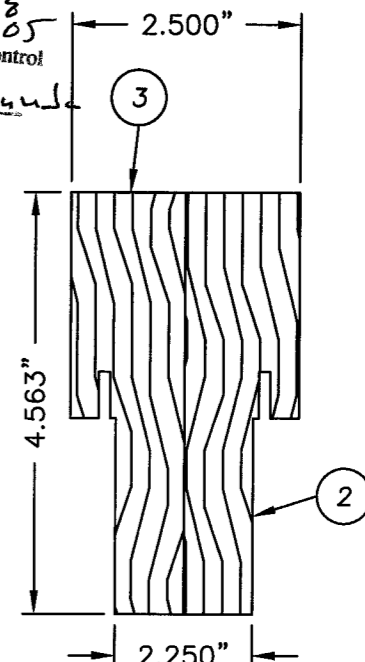
16 LATCH STILE EDGE



18 HINGE

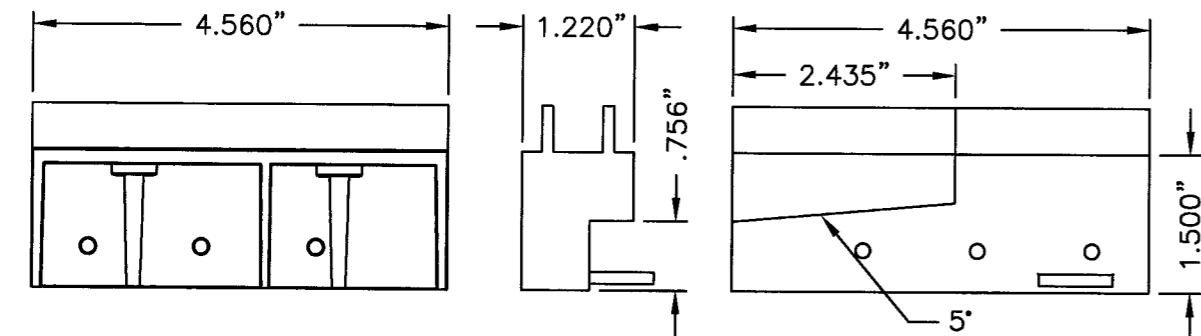


54 CHS INTEGRAL MULLION CHS (OX, OXO)



2 3 MULLION W/OUT REINFORCEMENT

Approved as complying with the Florida Building Code  
 Date FEB 21, 2008  
 NOA# 06-1113-05  
 Miami Dade Product Control Division  
 By Shag L. L. L.



19 SILL-TO-JAMB KIT DETAIL OPTIONAL

Documents Prepared By:

**RW** BUILDING CONSULTANTS, INC.  
 P.O. Box 230 Valrico FL 33595  
 Phone No.: 813.659.9197  
 Florida Board of Professional Engineers  
 Certificate Of Authorization No. 9813

Lyndon G. Schmidt, P.E. No. 43409

PRODUCT: OPAQUE FIBERGLASS  
 OUTSWING DOORS WITH & W/OUT  
 SIDELITE(S)

PART OR ASSEMBLY:  
 COMPONENTS

NO.	DATE	REVISIONS	BY
2	01/14/08	REVISED PER DADE LETTER	YV
1	01/31/07	REVISED PER DADE NOTES	AEM

DATE: 10/05/06

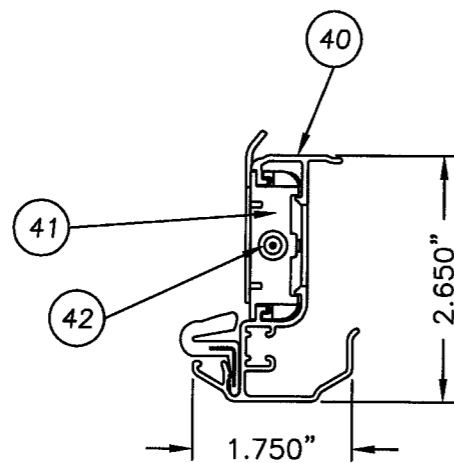
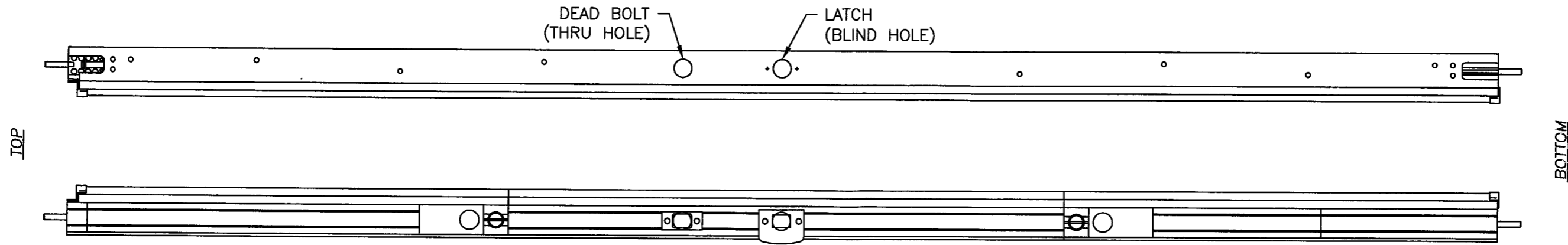
SCALE: N.T.S.

DWG. BY: EW

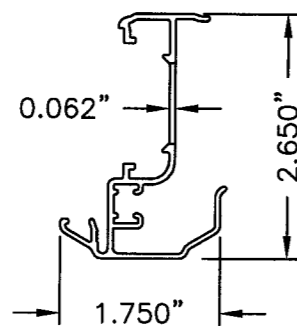
CHK. BY: LFS

DRAWING NO.: S-2729

SHEET 10 OF 12

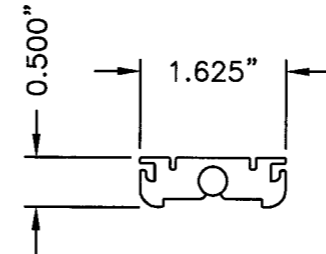


ALUMINUM ASTRAGAL ASSEMBLY  
BY ENDURA PRODUCTS

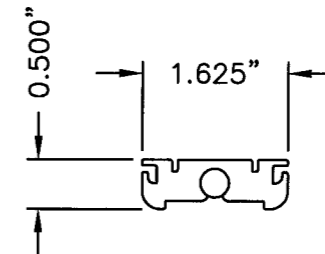


ALUMINUM ASTRAGAL  
BY ENDURA PRODUCTS

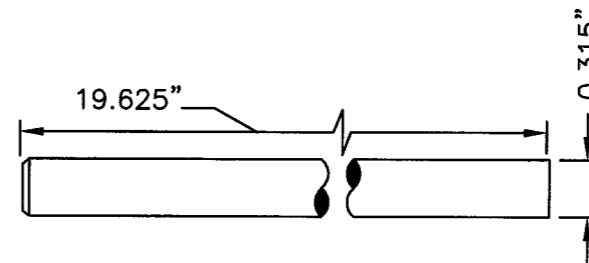
ALUMINUM ASTRAGAL  
BY ENDURA PRODUCTS



TOP BOLT RETAINER  
MATL: HDPE  
LENGTH: 4 3/4"



TOP BOLT RETAINER  
MATL: ALUMINUM  
LENGTH: 9 3/4"



SLIDE BOLT ROD  
STEEL

NOTE

- (12) OF ITEM #48 ASTRAGAL RETAINING SCREWS LOCATED (2) @ 2-1/2", (1) @ 3-1/2", (1) @ 10-1/2", (1) @ 18-1/2", & (1) @ 26-1/2" FROM THE TOP OF ASTRAGAL AND (2) @ 2-1/2", (1) @ 3-1/2", (1) @ 10-1/2", (1) @ 18-1/2", & (1) @ 26-1/2" FROM THE BOTTOM OF ASTRAGAL.

Approved as complying with the  
Florida Building Code  
Date FEB 21, 2008  
NOA# 06-1113-05  
Miami Dade Product Control  
Division  
By *Shang L. Lhanda*

Documents Prepared By:  
**RW** BUILDING CONSULTANTS, INC.  
P.O. Box 230 Valrico FL 33595  
Phone No.: 813.659.9197  
Florida Board of Professional Engineers  
Certificate Of Authorization No. 9813  
1-14-08  
Lynden, F. Schmidt, P.E. No. 43409

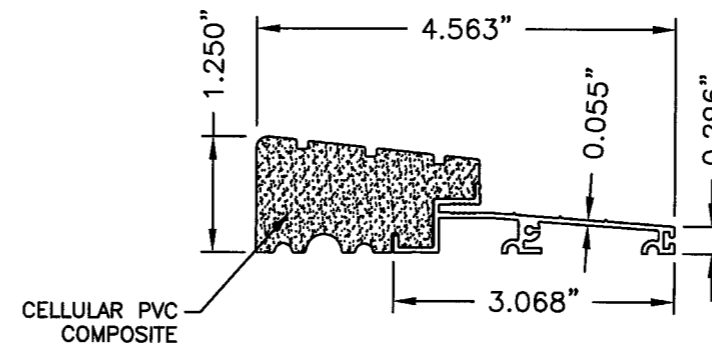
PRODUCT:	OPAQUE FIBERGLASS OUTSWING DOORS WITH & W/OUT SIDELITE(S)	
PART OR ASSEMBLY:	ASTRAGAL DETAILS	
NO.	DATE	REVISIONS
2	01/14/08	REVISED PER DADE LETTER
1	01/31/07	REVISED PER DADE NOTES
		YV
		AEM
		BY

DATE: 10/05/06  
SCALE: N.T.S.  
DWG. BY: EW  
CHK. BY: LFS  
DRAWING NO.: S-2729  
SHEET 11 OF 12

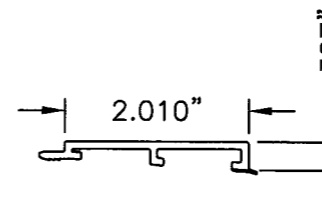
© 2006 R.W. BUILDING CONSULTANTS INC.

ITEM	DESCRIPTION	MATERIAL	ITEM	DESCRIPTION	MATERIAL
1	FIBERGLASS SKIN BY TRINITY 0.079" MIN. THK. W/FIBERGLASS YARN REINF.	FIBERGLASS	45	LVL SIDELITE TOP RAIL	POPLAR
2	SIDELITE JAMB - FINGER-JOINT PINE	WOOD	46	LVL SIDELITE STILE	POPLAR
3	HINGE & LATCH JAMB - FINGER-JOINT PINE	WOOD	47	LVL SIDELITE BOTTOM RAIL	POPLAR
4	HEAD JAMB - FINGER-JOINT PINE	WOOD	48	#9 X 2-1/4" SELF DRILLING SCREW	STEEL
5	1/4" X 3-3/4" TAPCON (ELCO OR ITW)	STEEL	49	10-32 X 5/8" MACHINE SCREW	STEEL
6	LVL LATCH STILE SUPPORTER	POPLAR	50	OUTSWING SIDELITE SPACER	PVC
7	OUTSWING THRESHOLD (HIGH RISE TYPE)(ENDURA PRODUCTS INC.)	ALUM./COMP.	51	#10 X 2.0" PFH WOOD SCREW	STEEL
8	STRIKE PLATE SCREW #8 X 2.0" PFHWS (2 REQUIRED PER STRIKE PLATE)	STEEL	52	DEAD BOLT STRIKE	STEEL
9	COMPOSITE BOTTOM RAIL	PVC	53	1X MULLION REINFORCEMENT	WOOD
10	DOOR PANEL CORE FOAMED IN PLACE BY TRINITY	POLYURETHANE	54	INTEGRAL MULLION (CHS)	WOOD
11	COMPOSITE/LVL TOP RAIL	PVC/LVL	55	#6 X 1-1/4" PFH DRYWALL SCREW	STEEL
12	WEATHERSTRIP QEBD650 Q-LON	FOAM	56	#8 X 2-1/4" PFH SELF DRILLING SCREW	STEEL
13	LVL HINGE STILE SUPPORTER	POPLAR	57	STAPLE 16 GA GALV. 7/16" CROWN x 1-3/4" LONG	STEEL
14	COMPOSITE HINGE STILE EDGE	PVC			
15	BEAD 1/4"	WOOD			
16	COMPOSITE LATCH STILE EDGE	PVC			
17	LVL LOCK BLOCK	POPLAR			
18	3.983" X 4.0" HINGE MIN. 0.098" THICK	STEEL			
19	SILL TO JAMB KIT (OPTIONAL)*	PC/ASA			
21	KWIKSET LATCH GRADE II	STEEL			
22	KWIKSET DEADBOLT GRADE II	STEEL			
23	STRIKE PLATE	STEEL			
23A	FLUSH BOLT STRIKE PLATE @ HEAD	STEEL			
23B	FLUSH BOLT STRIKE PLATE @ SILL	STEEL			
24	HINGE TO JAMB SCREW #9 X 5/8" PFHWS (3 REQUIRED EACH HINGE)	STEEL			
25	3/16" X 3-1/4" TAPCON	STEEL			
26	HINGE TO DOOR SCREW #9 X 1.0" PFHWS (4 REQUIRED EACH HINGE)	STEEL			
27	LITE FRAME SCREW #8 X 1-1/8" SELF THREADING	STEEL			
28	1" INSULATED LAMINATED GLASS (INTERLAYER DUPONT BUTACITE) 1/8" TEMPERED - AIR - 1/8" HS - .090" PVB - 1/8" HS	GLASS			
29	2X BUCK	WOOD			
30	1X BUCK	WOOD			
31	MASONRY	CONCRETE			
32	MULLION BASE KIT*	PC/ASA			
33	JAMB TO BUCK SCREW #10 X 2.5" PFH WS WITH MIN. 1.14" EMB.	STEEL			
35	LATEX CAULK	LATEX			
36	1/4" MAX. SHIM SPACE	WOOD			
37	LITE FRAME BY TRINITY UNDER SEPERATE N.O.A.*	PC/ASA			
38	SCREW PLUG*	PC/ASA			
40	ASTRAGAL (ENDURA PRODUCTS INC.)	ALUMINUM			
41	BOLT RETAINER	-			
42	FLUSH BOLT	STEEL			
43	3/16" X 2-1/4" TAPCON (ELCO OR ITW)	STEEL			
44	1/4" X 2-3/4" TAPCON (ELCO OR ITW)	STEEL			

\* PC/ASA= POLYCARBONATE/ ACRYLONITRILE STYRENE ARYLATE



7 OUTSWING THRESHOLD  
HIGH RISE TYPE



50 SIDELITE SPACER  
OUTSWING

Approved as complying with the  
Florida Building Code  
Date FEB 21, 2009  
NOAH 06-1113.05  
Miami Dade Product Control  
Division  
By Shag L. Chaves

Documents Prepared By: **RW** BUILDING CONSULTANTS, INC.  
P.O. Box 230 Valrico FL, 33595  
Phone No.: 813.659.9197

Florida Board of Professional Engineers  
Certificate Of Authorization No. 9813  
*[Signature]*  
Lyndon, F. Schmidt, P.E. No. 43409

PRODUCT: OPAQUE FIBERGLASS  
OUTSWING DOORS WITH & W/OUT  
SIDELITE(S)

PART OR ASSEMBLY:  
BILL OF MATERIALS  
& COMPONENTS

NO.	DATE	REVISIONS
2	01/14/08	REVISED PER DADE LETTER
1	01/31/07	REVISED PER DADE NOTES
		BY

DATE: 10/05/06  
SCALE: N.T.S.  
DWG. BY: EW  
CHK. BY: LFS  
DRAWING NO.: S-2729  
SHEET 12 OF 12

© 2006 R.W. BUILDING CONSULTANTS INC.