



BUILDING CODE COMPLIANCE OFFICE (BCCO)
PRODUCT CONTROL DIVISION

MIAMI-DADE COUNTY, FLORIDA
METRO-DADE FLAGLER BUILDING
140 WEST FLAGLER STREET, SUITE 1603
MIAMI, FLORIDA 33130-1563
(305) 375-2901 FAX (305) 375-2908

www.buildingcodeonline.com

NOTICE OF ACCEPTANCE (NOA)

Trinity Glass International
4621 192nd Street East
Tacoma, W.A. 98446

SCOPE:

This NOA is being issued under the applicable rules and regulations governing the use of construction materials. The documentation submitted has been reviewed by Miami-Dade County Product Control Division and accepted by the Board of Rules and Appeals (BORA) to be used in Miami Dade County and other areas where allowed by the Authority Having Jurisdiction (AHJ).

This NOA shall not be valid after the expiration date stated below. The Miami-Dade County Product Control Division (In Miami Dade County) and/or the AHJ (in areas other than Miami Dade County) reserve the right to have this product or material tested for quality assurance purposes. If this product or material fails to perform in the accepted manner, the manufacturer will incur the expense of such testing and the AHJ may immediately revoke, modify, or suspend the use of such product or material within their jurisdiction. BORA reserves the right to revoke this acceptance, if it is determined by Miami-Dade County Product Control Division that this product or material fails to meet the requirements of the applicable building code.

This product is approved as described herein, and has been designed to comply with the Florida Building Code, including the High Velocity Hurricane Zone.

DESCRIPTION: Wood Fixed Window

APPROVAL DOCUMENT: Drawing No. **S-2574**, titled "Transom/ Fixed Lite "Non- Impact" ", sheets 1 through 4 of 4, dated 08/01/05 with revision #1 dated 03/16/06, prepared by R.W. Building Consultants, Inc., signed and sealed by Lyndon F. Schmidt, P.E., bearing the Miami-Dade County Product Control Approval stamp with the Notice of Acceptance number and approval date by the Miami-Dade County Product Control Division.

MISSILE IMPACT RATING: None

LABELING: Each unit shall bear a permanent label with the manufacturer's name or logo, city, state and following statement: "Miami-Dade County Product Control Approved", unless otherwise noted herein.

RENEWAL of this NOA shall be considered after a renewal application has been filed and there has been no change in the applicable building code negatively affecting the performance of this product.

TERMINATION of this NOA will occur after the expiration date or if there has been a revision or change in the materials, use, and/or manufacture of the product or process. Misuse of this NOA as an endorsement of any product, for sales, advertising or any other purposes shall automatically terminate this NOA. Failure to comply with any section of this NOA shall be cause for termination and removal of NOA.

ADVERTISEMENT: The NOA number preceded by the words Miami-Dade County, Florida, and followed by the expiration date may be displayed in advertising literature. If any portion of the NOA is displayed, then it shall be done in its entirety.

INSPECTION: A copy of this entire NOA shall be provided to the user by the manufacturer or its distributors and shall be available for inspection at the job site at the request of the Building Official.

This NOA and consists of this page 1 and evidence page E-1, as well as approval document mentioned above. The submitted documentation was reviewed by **Manuel Perez, P.E.**



NOA No 05-1018.06
Expiration Date: April 13, 2011
Approval Date: April 13, 2006

Trinity Glass International

NOTICE OF ACCEPTANCE: EVIDENCE SUBMITTED

A. DRAWINGS

1. Manufacturer's die drawings and sections.
2. Drawing No. **S-2574**, titled "Transom/ Fixed Lite "Non- Impact" ", sheets 1 through 4 of 4, dated 08/01/05 with revision #1 dated 03/16/06, prepared by R.W. Building Consultants, Inc., signed and sealed by Lyndon F. Schmidt, P.E.

B. TESTS

1. Test reports on 1) Air Infiltration Test, per FBC, TAS 202-94
2) Uniform Static Air Pressure Test, Loading per FBC, TAS 202-94.
3) Water Resistance Test, per FBC, TAS202-94.
4) Forced Entry Test, per FBC, TAS 202-94
along with installation diagram of a wood fixed window prepared by Fenestration Testing Laboratory, test report No. **TEL 05-0730-1**, dated 07/21-29/05 and 10/08/05, signed and sealed by Wendell W. Haney, P.E.

C. CALCULATIONS

1. Anchor Calculations, complying with FBC-2004, dated 10/14/05, prepared by R.W. Building Consultants, Inc., signed and sealed by Lyndon F. Schmidt, P.E.
Complies with ASTM E1300-02

D. QUALITY ASSURANCE

1. Miami Dade Building Code Compliance Office (BCCO).

E. MATERIAL CERTIFICATIONS:

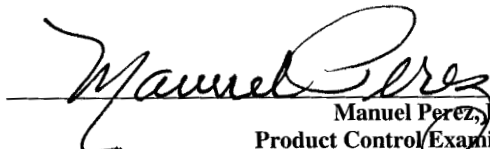
1. None.

F. STATEMENTS

1. Statement letter of conformance and no financial interest, dated 10/13/05, signed and sealed by Lyndon F. Schmidt, P.E.
2. Statement letter of no financial interest, dated 07/21/05, signed by Andrew Na.

G. OTHER

1. Letter from the consultant, dated 12/17/05, stating that the product is in compliance with the Florida Building Code (FBC).


Manuel Perez, P.E.
Product Control Examiner
NOA No 05-1018.06
Expiration Date: April 13, 2011
Approval Date: April 13, 2006



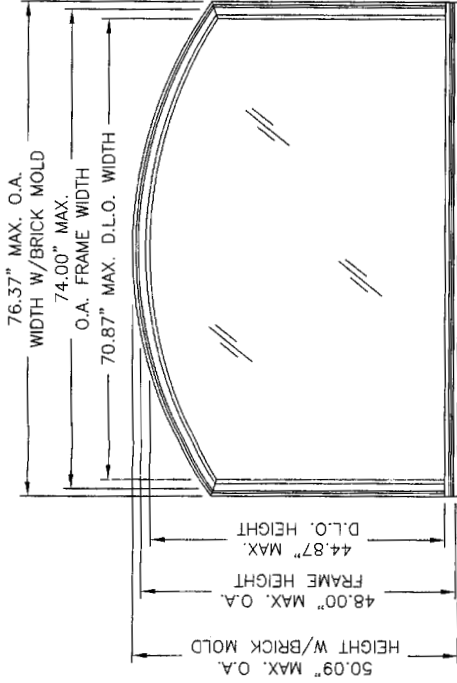
4621 192nd STREET EAST TACOMA, WA 98446
 TEL: 253-875-7300 FAX: 253-875-7301

TRANSOM / FIXED LITE "NON-IMPACT"

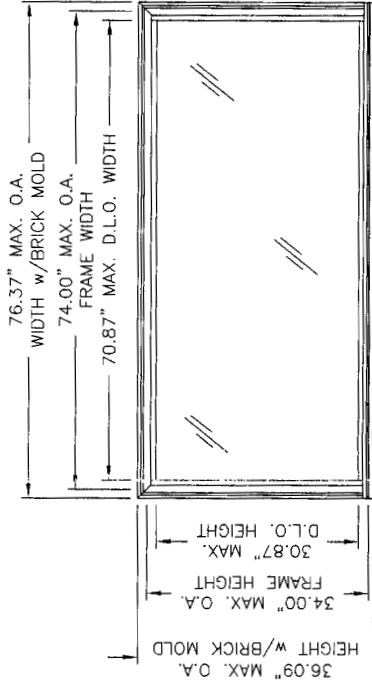
GENERAL NOTES

1. THIS PRODUCT HAS BEEN EVALUATED AND IS IN COMPLIANCE WITH THE FLORIDA BUILDING CODE INCLUDING THE "HIGH VELOCITY HURRICANE ZONE".
2. PRODUCT ANCHORS SHALL BE AS LISTED AND SPACED AS SHOWN ON DETAILS. ANCHOR EMBEDMENT TO BASE MATERIAL SHALL BE BEYOND WALL DRESSING OR STUCCO.
3. WHEN USED IN THE "HIGH VELOCITY HURRICANE ZONE", THIS PRODUCT IS REQUIRED TO BE PROTECTED WITH AN IMPACT RESISTANT COVERING THAT COMPLIES WITH SECTION 1626 OF THE FLORIDA BUILDING CODE.
4. WHEN USED IN AREAS OUTSIDE OF THE "HVHZ" REQUIRING WIND-BORNE DEBRIS PROTECTION THIS PRODUCT IS REQUIRED TO BE PROTECTED WITH AN IMPACT RESISTANT COVERING THAT COMPLIES WITH SECTION 1609.1.4 OF THE FLORIDA BUILDING CODE.
5. FOR 2X STUD FRAMING CONSTRUCTION, THE ANCHORING OF THESE UNITS SHALL BE THE SAME AS THAT SHOWN FOR 2X BUCK MASONRY CONSTRUCTION.
6. CONDITIONS NOT COVERED BY THIS DRAWING ARE SUBJECT TO FURTHER ENGINEERING ANALYSIS.
7. WOOD BUCKS BY OTHERS, MUST BE ANCHORED PROPERLY TO TRANSFER LOADS TO STRUCTURE AND TO BE REVIEWED BY BUILDING OFFICIAL.
8. FOR DESIGN PRESSURE RATING SEE CHART THIS SHEET.
9. THIS PRODUCT MEETS THE WATER REQUIREMENTS FOR HIGH VELOCITY HURRICANE ZONES.

TABLE OF CONTENTS	
1	TYPICAL ELEVATIONS, DESIGN PRESSURES & GENERAL NOTES
2	VERTICAL & HORIZONTAL CROSS SECTIONS
3	RADIUS & RECTANGULAR ANCHORING
4	BILL OF MATERIAL, COMPONENTS & GLAZING DETAIL



RADIUS TRANSOM / FIXED WINDOW



RECTANGULAR TRANSOM / FIXED WINDOW

UNIT TYPE	OVERALL FRAME DIMENSION	OVERALL DAY LIGHT DIMENSION	GLASS TYPE	DESIGN PRESSURE	
				POSITIVE	NEGATIVE
RADIUS	74.00" x 48.00"	71.00" x 44.87"	5/32" TEMPERED AIR	+65.0 PSF	-65.0 PSF
RECTANGULAR	74.00" x 34.00"	71.00" x 31.00"	1/8" TEMPERED AIR	+65.0 PSF	-65.0 PSF

PRODUCT: TRANSOM / FIXED LITE "NON-IMPACT"

PART OR ASSEMBLY: TYPICAL ELEVATIONS, DESIGN PRESSURES & GENERAL NOTES

DATE: 06/01/05

SCALE: N.T.S.

DWG. BY: EW

CHK. BY: LFS

DRAWING NO.: S-2574

SHEET 1 OF 4

REVISIONS

NO.	DATE	BY
1	03/16/06	REVISOR PER DATE LETTER

APPROVED BY: [Signature]

DATE: APRIL 13, 2006

BY: [Signature]

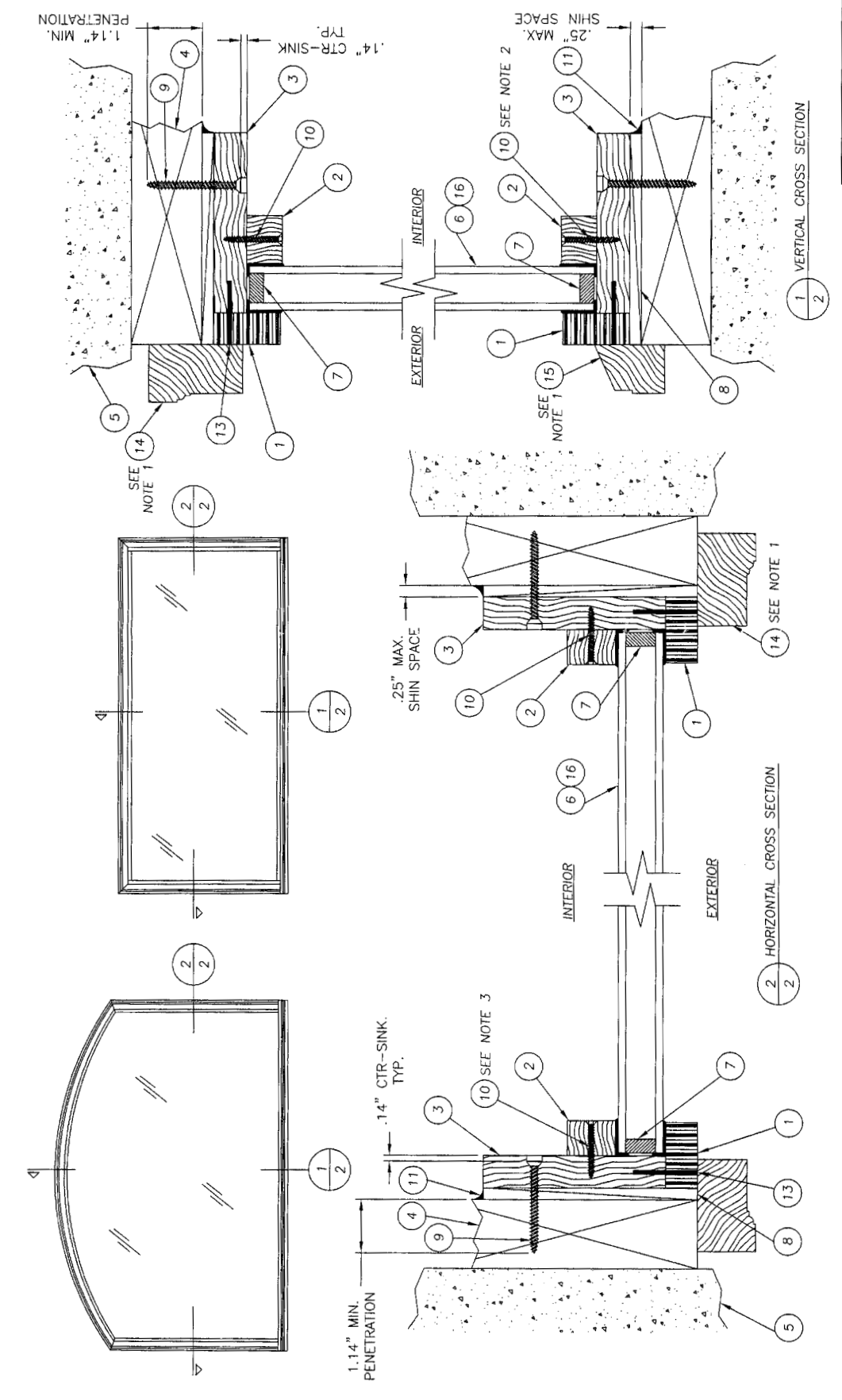
PROJECT: [Signature]

Documents Prepared By:
RW BUILDING CONSULTANTS, INC.
 P.O. Box 230 Venice FL 33595
 Phone No.: 813.659.9197
 Florida Board of Professional Engineers
 Certificate Of Authorization No. 9812
 Lyndon F. Schmidt, P.E. NO. 43409
 3/17/06

PRODUCT:
 TRANSOM / FIXED WINDOW
 "NON-IMPACT"
 PART OR ASSEMBLY:
 VERTICAL AND HORIZONTAL
 CROSS SECTIONS

NO.	DATE	REVISIONS
1	03/16/06	REVISED PER DADE LETTER
		WH
		BY

DATE: 08/01/05
 SCALE: N.T.S.
 DWS: BY: EW
 CHK: BY: LFS
 DRAWING NO.: S-2574
 SHEET 2 OF 4



Approved for construction with the
APRIL 13 2006
05-1016 TOS
 DRAWING NO.: S-2574
 SHEET 2 OF 4

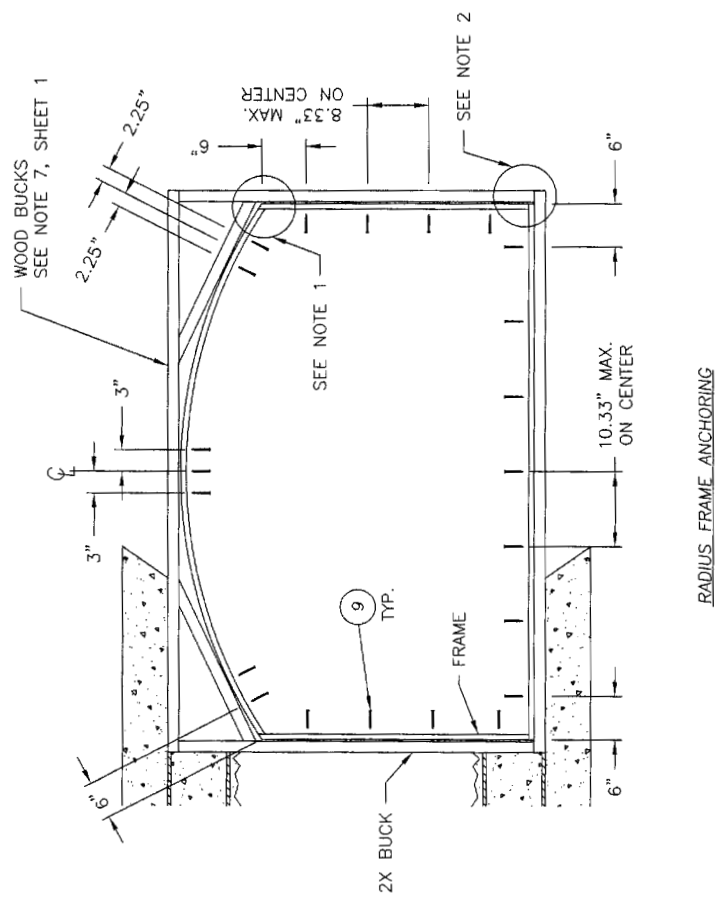
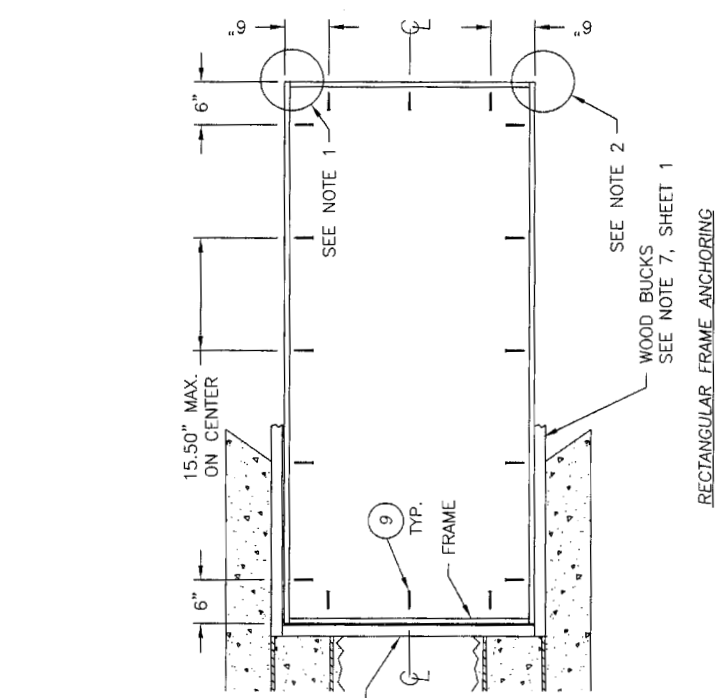
- NOTES:
1. BRICKMOLD IS OPTIONAL.
 2. GLAZING STOP SCREW #8 x 1-1/4" LOCATED AT 6" FROM EACH END AND MAX. 12" ON CENTER ON HEAD AND SILL.
 3. GLAZING STOP SCREW #8 x 1-1/4" LOCATED 6" FROM EACH END AND MAX. 8" ON CENTER ON SIDE JAMBS.

Documents Prepared By:
RPM BUILDING CONSULTANTS, INC.
 P.O. Box 230 Valrico FL 33595
 Phone No.: 813.659.9197
 Florida Board of Professional Engineers
 Certificate of Authorization No. 9813
 Lyndon F. Schmidt, P.E. NO. 45409
 3/17/16

PRODUCT: TRANSOM / FIXED WINDOW
 "NON-IMPACT"
 PART OR ASSEMBLY: RADIUS & RECTANGULAR ANCHORING

REVISIONS	
NO.	DATE
1	03/16/06
	REVISED PER DATE LETTER
	BY
	WH

DATE: 08/01/05
 SCALE: N.T.S.
 DWG. BY: EW
 CHK. BY: LFS
 DRAWING NO.: S-2574
 SHEET 3 OF 4



Approved as complying with the
 Florida Building Code
 Date: **APR 13 2006**
 PROJECT: **05-1018-06**
 Project Location: **Project Location**
 By: *Mamadou*

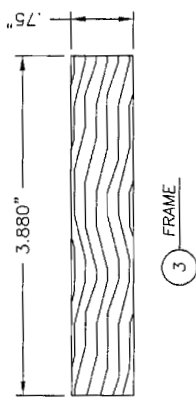
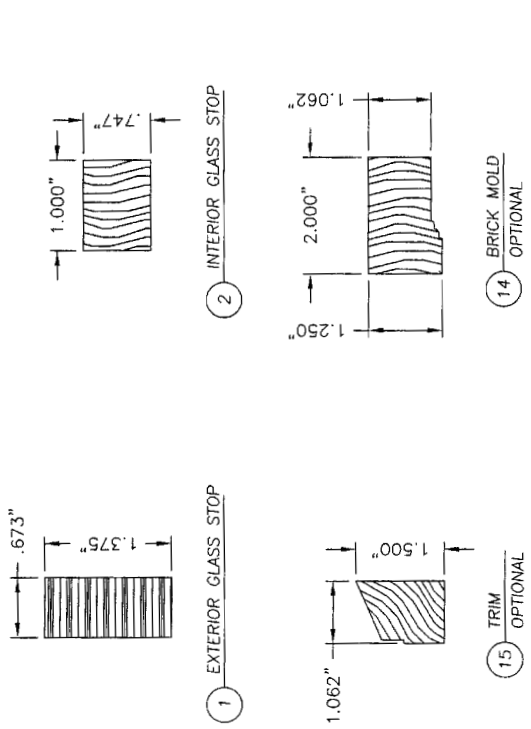
- NOTES:
1. HEAD JAMB ATTACHED TO THE SIDE JAMB W/ (3) #8 X 2-1/2" DRYWALL SCREWS FROM HEAD INTO SIDE JAMB
 2. SILL JAMB ATTACHED TO THE SIDE JAMB W/ (3) #8 X 2-1/2" DRYWALL SCREWS FROM SILL INTO SIDE JAMB

Documents Prepared By:
 BUILDING CONSULTANTS, INC.
 P.O. Box 250 Venice, FL 33595
 Phone No.: 813.659.9187
 Florida Board of Professional Engineers
 Certificate Of Authorization No. 9813
 Lyndon F. Schmidt, P.E. No. 45409

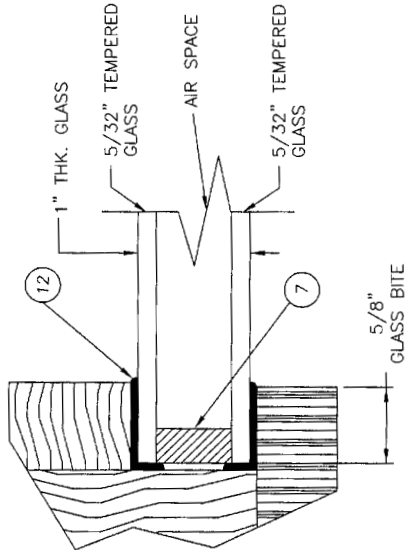
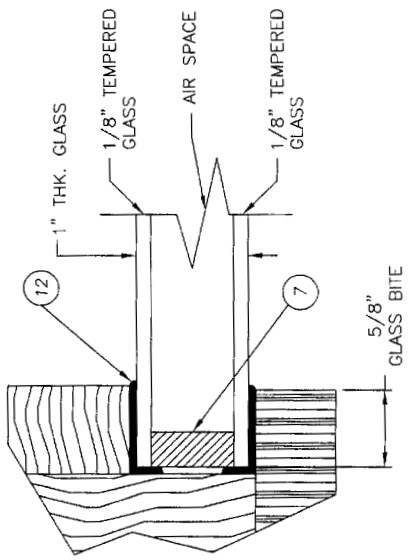
PRODUCT:
 TRANSOM / FIXED WINDOW
 "NON-IMPACT"
 PART OR ASSEMBLY:
 BILL OF MATERIALS, ANCHORING,
 COMPONENTS & GLAZING DETAILS

NO.	DATE	REVISIONS
1	03/16/06	REVISED PER DATE LETTER

DATE: 08/01/05
 SCALE: N.T.S.
 DWG. BY: EW
 CHK. BY: LFS
 DRAWING NO.: S-2574
 SHEET 4 OF 4



ITEM	DESCRIPTION	MATERIAL
1	EXTERIOR GLASS STOP	PVC
2	INTERIOR GLASS STOP	WOOD
3	FRAME	WOOD
4	2X BUCK	WOOD
5	MASONRY	CONCRETE
6	1" INSULATED GLASS - 5/32" TEMPERED - AIR - 5/32" TEMPERED	GLASS
7	GLAZING SPACER .250" THICK SWIGGLE (TRUSEAL)	-
8	1/4" MAX. SHIM	WOOD
9	#10 X 2" PFH WOOD SCREW	STEEL
10	#8 X 1-1/4" PFH WOOD SCREW	STEEL
11	LATEX CAULK	-
12	GLAZING COMPOUND	SILICONE
13	1/8" X 1-3/8" 18ga STAPLE	STEEL
14	OPTIONAL BRICK MOLD	WOOD
15	OPTIONAL TRIM	WOOD
16	1" INSULATED GLASS - 1/8" TEMPERED - AIR - 1/8" TEMPERED	GLASS



Approved as complying with the
 Florida Building Code
 Date: **APR 13 2006**
 AGA: **05-1818.06**
 National Trade Institute International
 By: *James Lee*