



BUILDING CODE COMPLIANCE OFFICE (BCCO)
 PRODUCT CONTROL DIVISION

MIAMI-DADE COUNTY, FLORIDA
 METRO-DADE FLAGLER BUILDING
 140 WEST FLAGLER STREET, SUITE 1603
 MIAMI, FLORIDA 33130-1563
 (305) 375-2901 FAX (305) 375-2908

www.buildingcodeonline.com

NOTICE OF ACCEPTANCE (NOA)

Trinity Glass International
 4621 192nd Street East
 Tacoma, WA 98446

SCOPE:

This NOA is being issued under the applicable rules and regulations governing the use of construction materials. The documentation submitted has been reviewed by Miami-Dade County Product Control Division and accepted by the Board of Rules and Appeals (BORA) to be used in Miami Dade County and other areas where allowed by the Authority Having Jurisdiction (AHJ).

This NOA shall not be valid after the expiration date stated below. The Miami-Dade County Product Control Division (In Miami Dade County) and/or the AHJ (in areas other than Miami Dade County) reserve the right to have this product or material tested for quality assurance purposes. If this product or material fails to perform in the accepted manner, the manufacturer will incur the expense of such testing and the AHJ may immediately revoke, modify, or suspend the use of such product or material within their jurisdiction. BORA reserves the right to revoke this acceptance, if it is determined by Miami-Dade County Product Control Division that this product or material fails to meet the requirements of the applicable building code.

This product is approved as described herein, and has been designed to comply with the Florida Building Code, including the High Velocity Hurricane Zone.

DESCRIPTION: "Premium" 8'- 0" Outswing Opaque Fiberglass Door w/ and w/o Sidelites.

APPROVAL DOCUMENT: Drawing No. S-2609, titled Opaque Premium Fiberglass Doors with & w/out Sidelite(s) Outswing "Non-Impact", sheets 1 through 7 of 7, dated 11/14/05 with revision #1 dated 03/16/06, prepared by R.W. Building Consultants, Inc., signed and sealed by Lyndon F. Schmidt, P.E., bearing the Miami-Dade County Product Control Approval stamp with the Notice of Acceptance number and approval date by the Miami-Dade County Product Control Division.

MISSILE IMPACT RATING: None

LABELING: Each unit shall bear a permanent label with the manufacturer's name or logo, city, state and following statement: "Miami-Dade County Product Control Approved", unless otherwise noted herein.

RENEWAL of this NOA shall be considered after a renewal application has been filed and there has been no change in the applicable building code negatively affecting the performance of this product.

TERMINATION of this NOA will occur after the expiration date or if there has been a revision or change in the materials, use, and/or manufacture of the product or process. Misuse of this NOA as an endorsement of any product, for sales, advertising or any other purposes shall automatically terminate this NOA. Failure to comply with any section of this NOA shall be cause for termination and removal of NOA.

ADVERTISEMENT: The NOA number preceded by the words Miami-Dade County, Florida, and followed by the expiration date may be displayed in advertising literature. If any portion of the NOA is displayed, then it shall be done in its entirety.

INSPECTION: A copy of this entire NOA shall be provided to the user by the manufacturer or its distributors and shall be available for inspection at the job site at the request of the Building Official. This NOA consists of this page 1 and evidence page E-1, as well as approval document mentioned above. The submitted documentation was reviewed by **Manuel Perez, P.E.**



NOA No 05-1130.02
 Expiration Date: April 13, 2011
 Approval Date: April 13, 2006

Trinity Glass International

NOTICE OF ACCEPTANCE: EVIDENCE SUBMITTED

A. DRAWINGS

1. Manufacturer's die drawings and sections.
2. Drawing No **S-2609**, Sheets 1 through 7 of 7, titled Opaque Premium Fiberglass Doors with & w-out Sidelite(s) Outswing "Non-Impact", prepared by RW Building Consultants, Inc., dated 11/14/05 with revision #1 on 03/16/06, signed and sealed by Lyndon F. Schmidt, P.E.

B. TESTS

1. Test reports on 1) Air Infiltration Test, per FBC, TAS 202-94
2) Uniform Static Air Pressure Test, Loading per FBC TAS 202-94
3) Water Resistance Test, per FBC, TAS 202-94
4) Forced Entry Test, per FBC 2411 3.2.1 TAS 202-94
along with marked-up drawings and installation diagram of Opaque Premium Fiberglass Doors with & w-out Sidelite(s) Outswing "Non-Impact, prepared by Testing Evaluation Laboratories, Inc., Test Report No. **TEL-05-1026-1**, dated 09/13-10/22/05, signed and sealed by Wendell W. Haney.

C. CALCULATIONS

1. Anchor verification calculations complying with FBC 2004, dated 11/21/05, prepared by RW Building Consultants, Inc., signed and sealed by Lyndon F. Schmidt, P.E.
Complies with ASTM E1300-98

D. QUALITY ASSURANCE

1. Miami Dade Building Code Compliance Office (BCCO).

E. MATERIAL CERTIFICATIONS

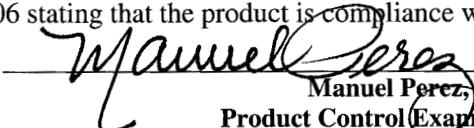
1. Test Report No. **ETC-05-781-17122.0**, prepared by ETC Laboratories., issued to Trinity Glass International, dated 10/19/05, Polyurethane Foam, tested per **ASTM D2843** "Self Ignition Temperature"; **ASTM E84** "Flame Spread Index", **ASTM E84** "Smoke Developed Index", signed and sealed by Joseph Labora Doldan, P.E.
2. Notice of Acceptance No. **05-1206.01** issued to Trinity Glass International, for their Unfinished Fiberglass Door Skin approved on 03/02/06 and expiring on 03/02/11.
3. Notice of Acceptance No. **02-0429.11** issued to Trinity Glass International, for their Trinity Lite Frame approved on 07/3/02 and expiring on 07/03/07.

F. STATEMENTS

1. Statement letter of conformance and no financial interest, dated 10/21/05, signed Lyndon F. Schmidt, P.E.
2. Statement letter of no financial interest, dated 07/21/05, signed by Andrew Na.

G. OTHER

1. Letter from the consultant, dated 03/02/06 stating that the product is compliance with the Florida Building Code (FBC).


Manuel Perez, P.E.
Product Control Examiner
NOA No 05-1130.02
Expiration Date: April 13, 2011
Approval Date: April 13, 2006



4621 192nd STREET EAST TACOMA, WA 98446
 TEL: 253-875-7300 FAX: 253-875-7301

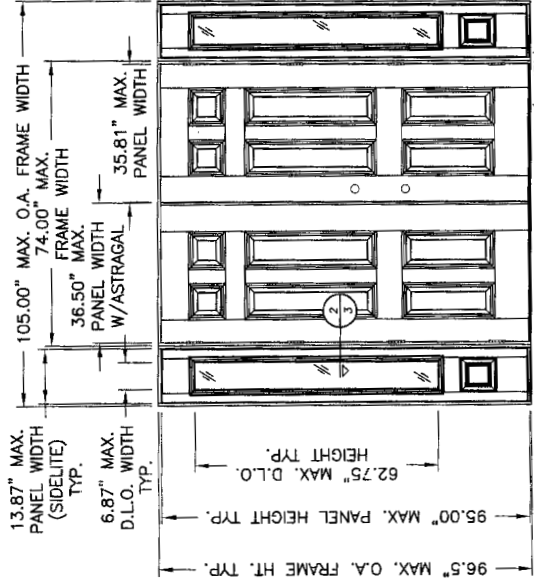
OPAQUE PREMIUM FIBERGLASS DOORS WITH & W/OUT SIDELITE(S) - OUTSWING "NON-IMPACT"

GENERAL NOTES

1. THIS PRODUCT HAS BEEN EVALUATED AND IS IN COMPLIANCE WITH THE FLORIDA BUILDING CODE INCLUDING THE "HIGH VELOCITY HURRICANE ZONE".
2. PRODUCT ANCHORS SHALL BE AS LISTED AND SPACED AS SHOWN ON DETAILS. ANCHOR EMBEDMENT TO BASE MATERIAL SHALL BE BEYOND WALL DRESSING OR STUCCO.
3. WHEN USED IN THE "HIGH VELOCITY HURRICANE ZONE" THIS PRODUCT IS REQUIRED TO BE PROTECTED WITH AN IMPACT RESISTANT COVERING THAT COMPLIES WITH SECTION 1626 OF THE FLORIDA BUILDING CODE.
4. FOR 2X STUD FRAMING CONSTRUCTION, THE ANCHORING OF THESE UNITS SHALL BE THE SAME AS THAT SHOWN FOR 2X BUCK MASONRY CONSTRUCTION.
5. CONDITIONS NOT COVERED BY THIS DRAWING ARE SUBJECT TO FURTHER ENGINEERING ANALYSIS.
6. WOOD BUCKS BY OTHERS, MUST BE ANCHORED PROPERLY TO TRANSFER LOADS TO STRUCTURE AND TO BE REVIEWED BY BUILDING OFFICIAL.
7. FOR DESIGN PRESSURE RATING SEE CHARTS THIS SHEET.
8. THIS PRODUCT MEETS THE WATER REQUIREMENTS FOR HIGH VELOCITY HURRICANE ZONES.

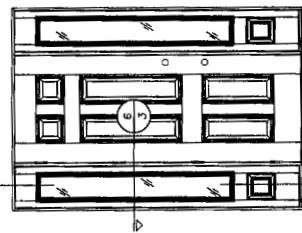
TABLE OF CONTENTS

1	TYPICAL ELEVATIONS, DESIGN PRESSURES & GENERAL NOTES
2	VERTICAL CROSS SECTIONS & ASSEMBLY NOTES
3	HORIZONTAL CROSS SECTIONS
4	FRAME ANCHORING SINGLE, SINGLE W/SIDELITE & SIDELITES
5	FRAME ANCHORING DOUBLE & DOUBLE W/SIDELITES
6	COMPONENTS
7	BILL OF MATERIALS & GLAZING DETAIL



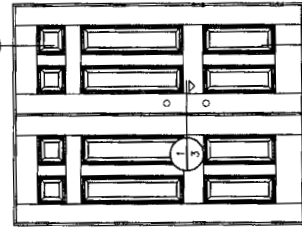
DESIGN PRESSURE (PSF.)
+47.0
-47.0

2

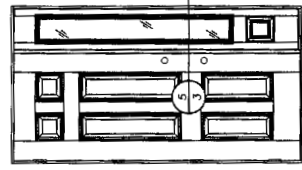


DESIGN PRESSURE (PSF.)
+47.0
-47.0

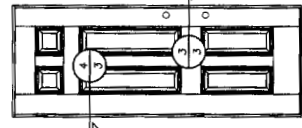
2



DESIGN PRESSURE (PSF.)
+47.0
-47.0



DESIGN PRESSURE (PSF.)
+47.0
-47.0



DESIGN PRESSURE (PSF.)
+47.0
-47.0

Documents Prepared By:
 BUILDING CONSULTANTS, INC.
 P.O. Box 230 Venice FL 33595
 Phone No.: 813.659.9197
 Florida Board of Professional Engineers
 Certificate of Authorization No. 9813
 2/11/16

PRODUCT: OPAQUE PREMIUM FIBERGLASS DOORS WITH & W/OUT SIDELITE(S)
 PART OR ASSEMBLY: PART OR ASSEMBLY
 TYPICAL ELEVATIONS, DESIGN PRESSURES & GENERAL NOTES

NO.	DATE	REVISIONS
1	03/16/08	REVISE PER DATE LETTER

DATE: 11/14/05
 SCALE: N.T.S.
 DWG. BY: AEM
 CHK. BY: LFS
 DRAWING NO.: S-2609
 SHEET 1 OF 7

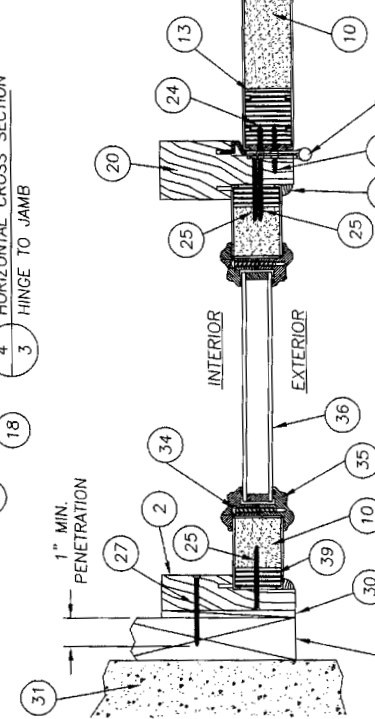
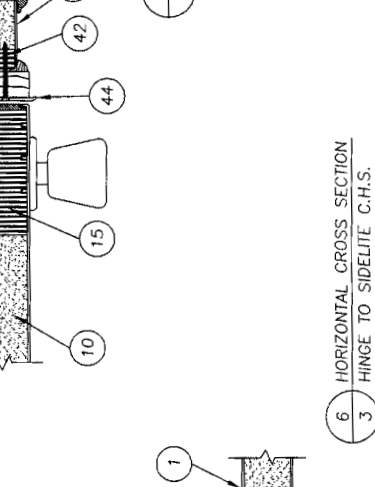
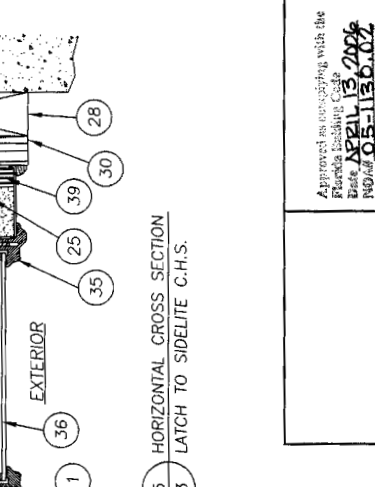
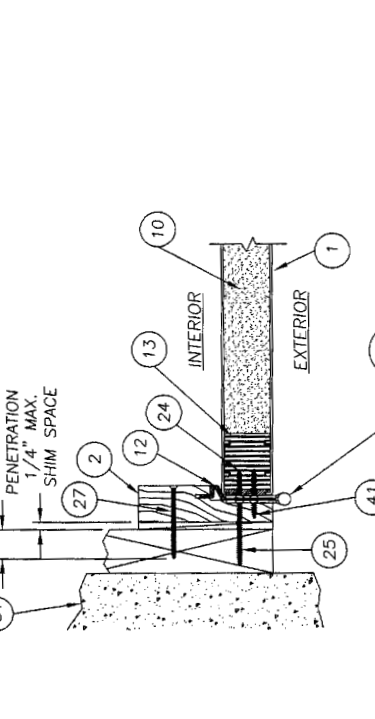
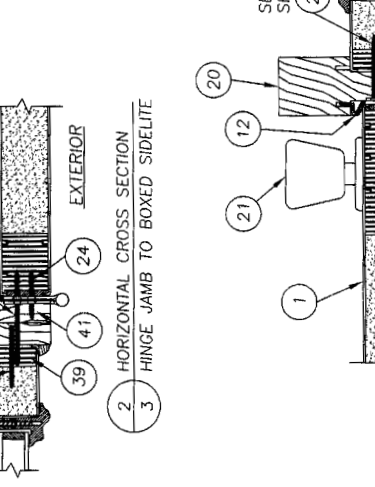
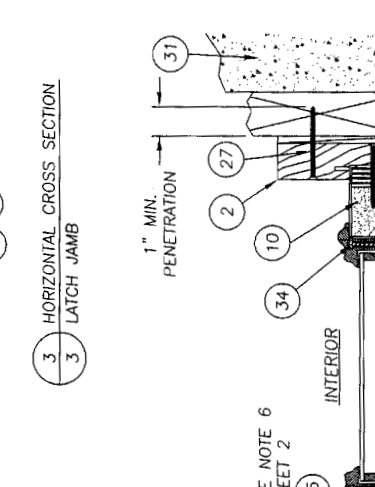
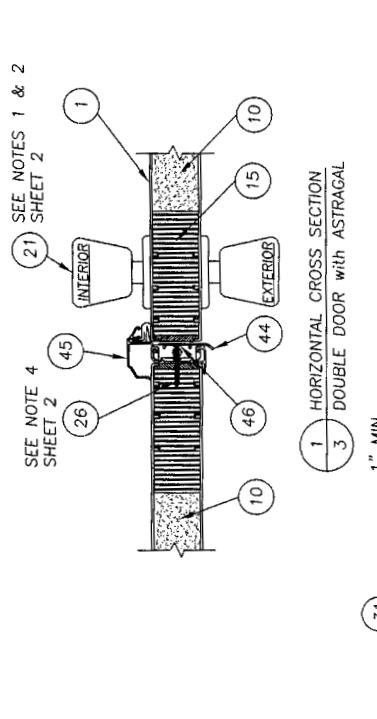
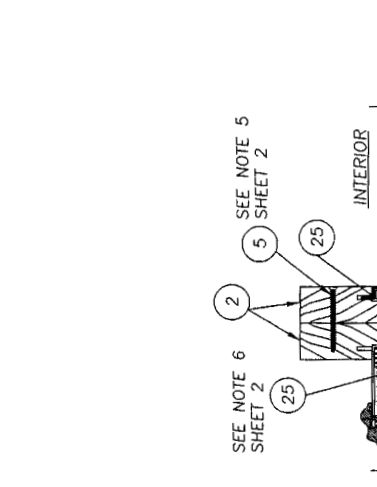
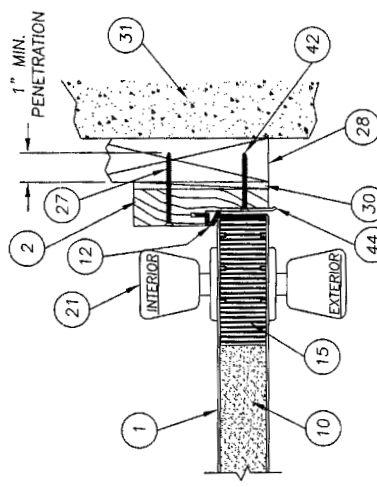
Approved as representing the
 Florida Building Code
 State APPROVAL 13, 0006
 10/05/05-11/30/07
 through Board of Professional Engineers
 2/11/16
 2/11/16

Documents Prepared By:
 BUILDING CONSULTANTS, INC.
 P.O. Box 230 Venice FL 33595
 Phone No.: 813.659.9197
 Florida Board of Professional Engineers
 Certificate Of Authorization No. 9813
 Lyndon, F. Schmidt, P.E. No. 43409

PRODUCT:
 OPAQUE PREMIUM FIBERGLASS
 DOORS WITH & W/O SIDELITE(S)
 PART OR ASSEMBLY:
 HORIZONTAL CROSS SECTIONS

NO.	DATE	REVISIONS
1	03/16/06	REVISE PER DATE LETTER

DATE: 11/14/05
 SCALE: N.T.S.
 DWG. BY: AEM
 CHK. BY: LFS
 DRAWING NO.: S-2609
 SHEET 3 OF 7



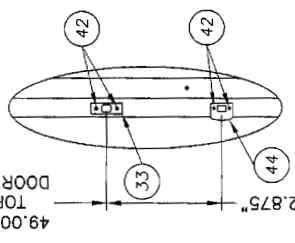
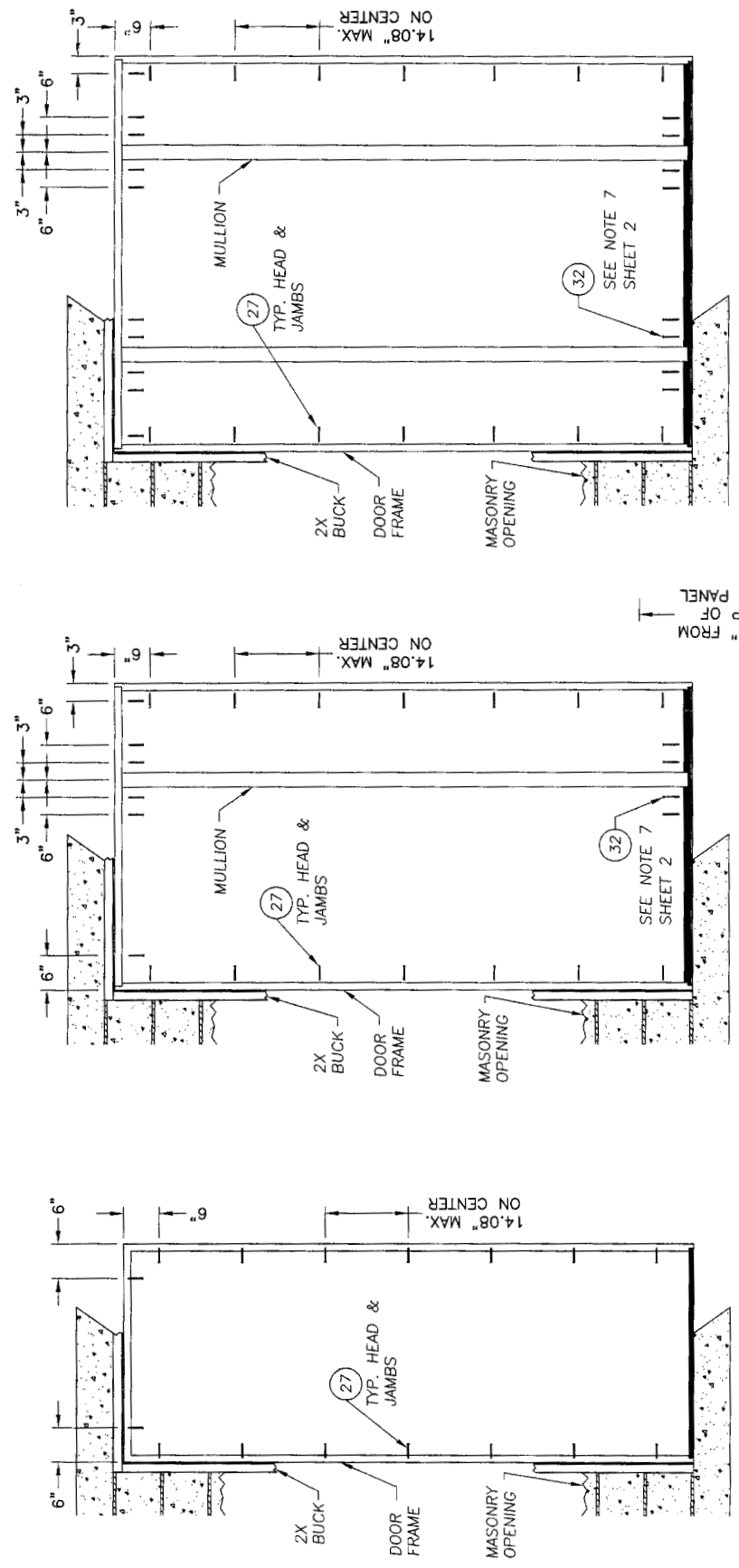
Agreement in accordance with the Florida Building Code Date: **APRIL 13, 2006** PWD/CL: **05-1136.02** Building State Professional Council Building By: *Manuel Lopez*

DATE:	11/14/05
SCALE:	N.T.S.
DWG. BY:	AEM
CHK. BY:	LFS
DRAWING NO.:	S-2609
SHEET	4 of 7

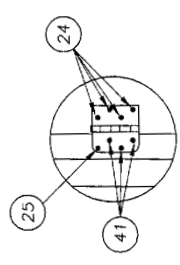
NO.	DATE	REVISIONS
1	03/16/06	REVISE PER DATE LETTER
		FRAME ANCHORING SINGLE
		SINGLE W/SIDELITE & SIDELITES

PRODUCT: OPAQUE PREMIUM FIBERGLASS DOORS WITH & W/OUT SIDELITE(S) OUTSWING "NON-IMPACT"
 PART OR ASSEMBLY: FRAME ANCHORING SINGLE
 Lynden, F. Schmidt, P.E. No. 43409
 Florida Board of Professional Engineers
 Certificate of Authorization No. 9813
 R²M BUILDING CONSULTANTS, INC.
 P.O. Box 250 Venice, FL 33595
 Phone No.: 813.659.9197

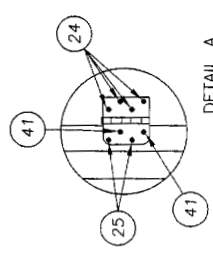
Documents Prepared By: [Signature]
 2/17/06



STRIKE PLATE DETAIL FOR SINGLE DOORS



DETAIL B TOP HINGE



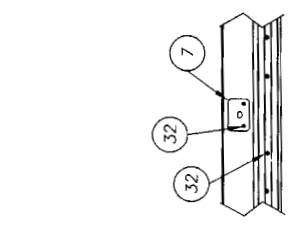
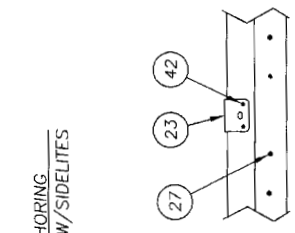
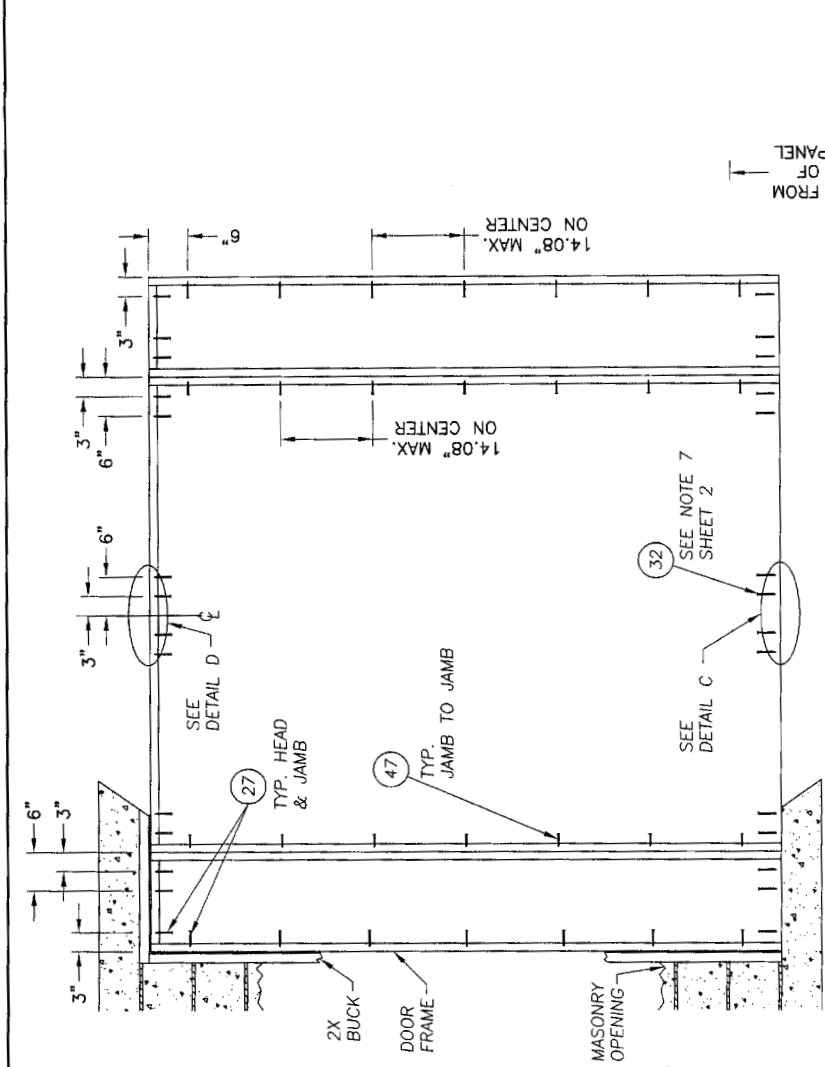
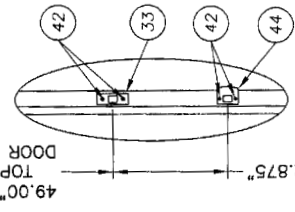
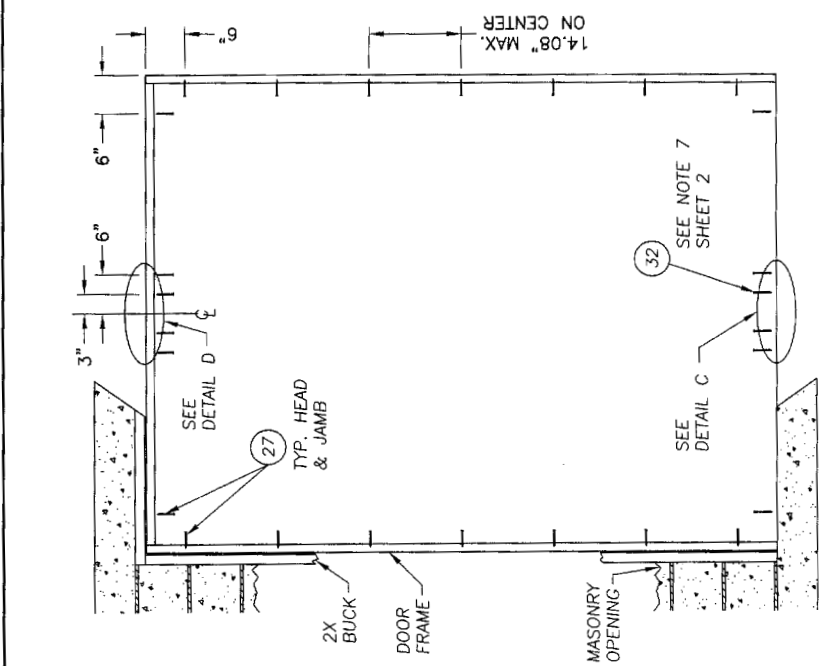
DETAIL A TOP HINGE

RQM BUILDING CONSULTANTS, INC.
 P.O. Box 230 Venice, FL 33595
 Phone No.: 813.659.9197
 Florida Board of Professional Engineers
 Certificate of Authorization No. 9813
 Lyndon, F. Schmidt, P.E. No. 43409
 Documents Prepared By:

PRODUCT: OPAQUE PREMIUM FIBERGLASS DOORS WITH & W/OUT SIDELITE(S)
 PART OR ASSEMBLY: FRAME ANCHORING DOUBLE & DOUBLE W/SIDELITES
 REVISIONS:

NO.	DATE	REVISION
1	03/16/06	REVISE PER DADE LETTER

DATE: 11/14/05
 SCALE: N.T.S.
 DWG. BY: AEM
 CHK. BY: LFS
 DRAWING NO.: S-2609
 SHEET 5 OF 7

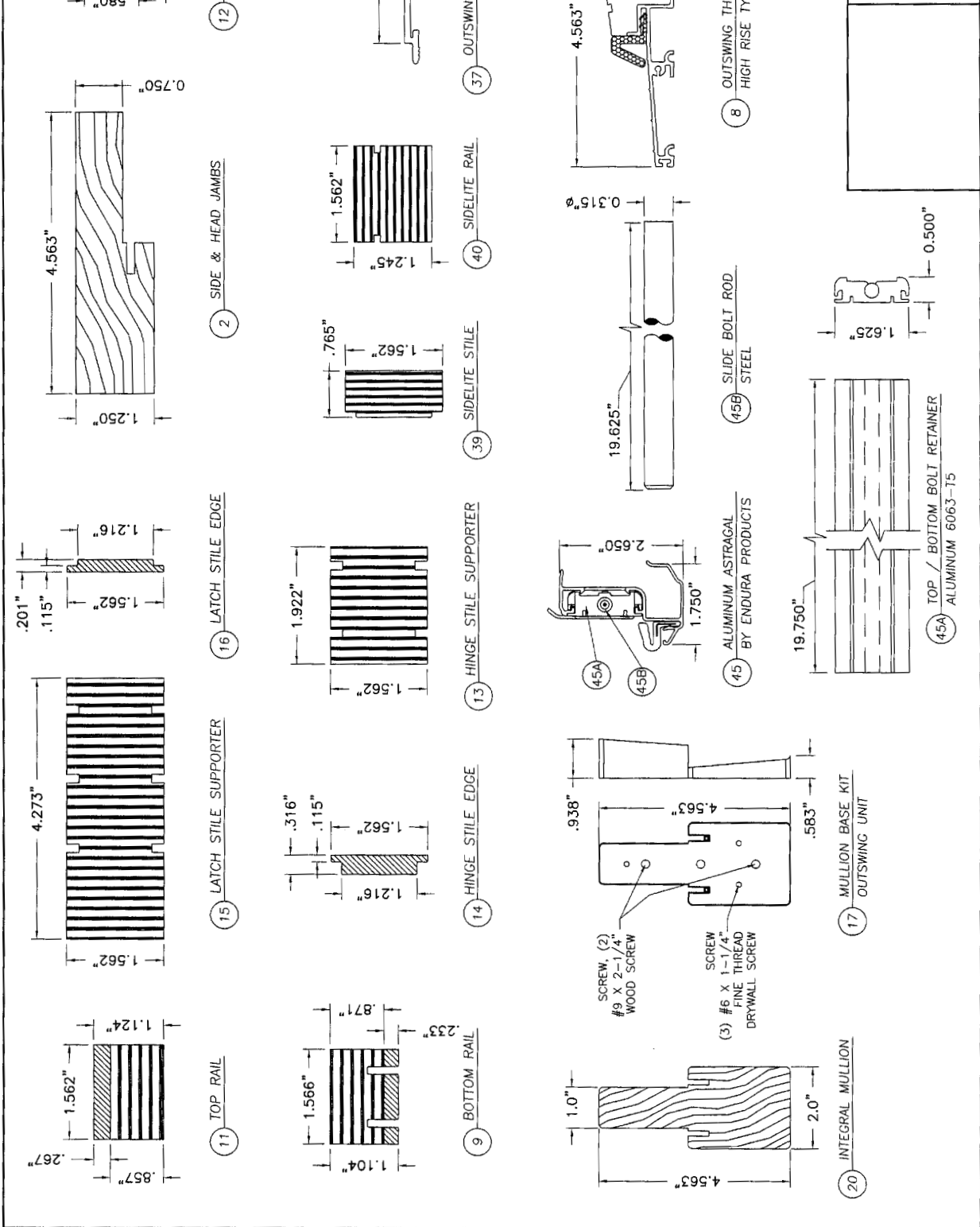


Approved as including with the
 Florida Building Code
 2004 Edition
 Chapter 9
 Section 905.1.3.1
 Approved
 Manual Entry

REVISIONS NO. DATE REVISION PER DATE LETTER 1 03/16/06 REVISE PER DATE LETTER		PART OR ASSEMBLY: OPPOSITE PREMIUM FIBERGLASS OUTSWING "NON-IMPACT" DOORS WITH W/OUT SIDELITE(S)
COMPONENTS EW BY		
PRODUCT: OPAQUE PREMIUM FIBERGLASS OUTSWING "NON-IMPACT" DOORS WITH W/OUT SIDELITE(S)		

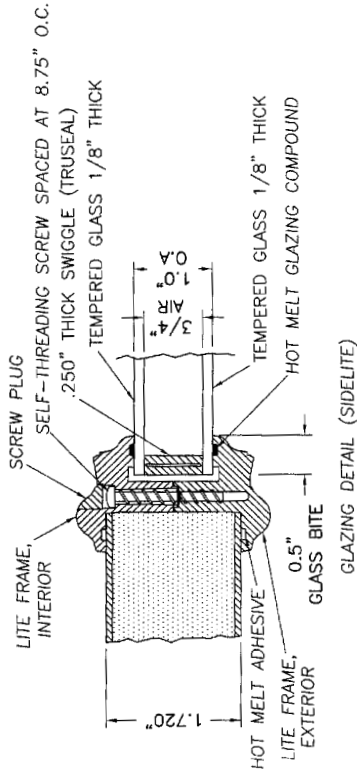
Documents Prepared By: *R.W.*
 BUILDING CONSULTANTS, INC.
 P.O. Box 230 Venice FL 33595
 Phone No.: 813.659.9197
 Florida Board of Professional Engineers
 Certificate of Authorization No. 9813
 Lyndon F. Schmidt, P.E. No. 43409

SCALE: N.F.S.
 DWG. BY: AEM
 CHK. BY: LFS
 DRAWING NO.: S-2609
 SHEET 6 OF 7



Approved as complying with the
 Florida Building Code
 2006
 051130.07
 051130.07
 Approved by Professional Engineer
 Lyndon F. Schmidt

ITEM	DESCRIPTION	MATERIAL
1	FIBERGLASS SKIN 0.079" MIN. THICKNESS	FIBERGLASS
2	JAMB	WOOD
3	NOT USED	-
4	NOT USED	-
5	#10 x 2" PFH WS	STEEL
6	NOT USED	-
7	STRIKE PLATE AT SILL	STEEL
8	OUTSWING THRESHOLD ALUMINUM W/ COMPOSITE SUBSTRATE	ALUM. / COMP.
9	PVC COMPOSITE & LVL BOTTOM RAIL	PVC / LVL
10	URETHANE CORE FOAMED IN PLACE 2.5 LBS. / cu.ft. DENSITY	POLYURETHANE
11	PVC COMPOSITE & LVL TOP RAIL	PVC / LVL
12	WEATHER-STRIP QEBB650 Q-LON	FOAM
13	LVL HINGE STILE SUPPORTER	POPLAR
14	COMPOSITE HINGE STILE EDGE	PVC
15	LVL LATCH STILE SUPPORTER	POPLAR
16	COMPOSITE LATCH STILE EDGE	PVC
17	MULLION BASE KIT (OUTSWING UNIT)	PVC
18	3.983" X 4.0" HINGE MIN 0.098" THICK	STEEL
19	SILL KEY	PC/ASA
20	INTEGRAL MULLION FOR CONTINUOUS HEAD & SILL ASSEMBLIES	WOOD
21	KWIKSET LATCH GRADE II	STEEL
22	KWIKSET DEADBOLT GRADE II	STEEL
23	STRIKE PLATE AT HEAD	STEEL
24	#9 X 1.0" PFHWS	STEEL
25	#9 X 2.25" PFHWS	STEEL
26	ASTRAGAL SCREW #8 X 1.0" PFH DRYWALL SCREW	STEEL
27	#8 X 2.5" PFH SMS	STEEL
28	2X BUCK	WOOD
29	LATEX CAULK	LATEX
30	MAX. 1/4" SHIM	WOOD
31	MASONRY	CONCRETE
32	3/16" X 2-1/4" TAPCON	STEEL
33	DEADBOLT STRIKE PLATE	STEEL
34	LITE FRAME SCREW #8 X 1-1/2" SELF THREADING	STEEL
35	LITE FRAME	PC/ASA
36	1" INSULATED GLASS - 1/8" TEMPERED - AIR - 1/8" TEMPERED	GLASS
37	OUTSWING SIDELITE SPACER	PVC
38	1/4" BEAD	WOOD
39	LVL SIDELITE STILE	POPLAR
40	LVL SIDELITE RAIL	POPLAR
41	HINGE TO JAMB #9 X 5/8" PFHWS	STEEL
42	#8 X 2" PFH WS	STEEL
43	NOT USED	-
44	LATCH STRIKE PLATE	STEEL
45	ASTRACAL BY ENDURA	ALUMINUM
46	10-32 X 5/8" MS	STEEL



BUILDING CONSULTANTS, INC.
 P.O. Box 230 Venice FL 33595
 Phone No.: 813.659.9197
 Certificate of Professional Engineers
 Florida Board of Professional Engineers
 No. 9813
 3/17/06
 Lyndon, F. Schmidt, P.E. No. 43409

Documents Prepared By:
 PRODUCT: DOOR/ WINDOW WITH & W/O SIDELITE(S)
 PART OR ASSEMBLY: OUTSWING "NON-IMPACT"
 BILL OF MATERIALS & GLAZING DETAILS

NO.	DATE	REVISIONS
1	03/16/06	REVISE PER DATE LETTER

DATE: 11/14/05
 SCALE: N.T.S.
 DWG. BY: AEM
 CHK. BY: LFS
 DRAWING NO.: S-2609
 SHEET 7 OF 7

Approved on working plans for
 Florida Building Code
 Date: **APRIL 13, 2006**
 NO. **05-1130-07**
 By: *[Signature]*
 Director, Building Code