



BUILDING CODE COMPLIANCE OFFICE (BCCO)  
PRODUCT CONTROL DIVISION

MIAMI-DADE COUNTY, FLORIDA  
METRO-DADE FLAGLER BUILDING  
140 WEST FLAGLER STREET, SUITE 1603  
MIAMI, FLORIDA 33130-1563  
(305) 375-2901 FAX (305) 375-2908

[www.buildingcodeonline.com](http://www.buildingcodeonline.com)

## **NOTICE OF ACCEPTANCE (NOA)**

**Trinity Glass International**  
4621 192th Street East  
Tacoma, WA 98446

### **SCOPE:**

This NOA is being issued under the applicable rules and regulations governing the use of construction materials. The documentation submitted has been reviewed by Miami-Dade County Product Control Division and accepted by the Board of Rules and Appeals (BORA) to be used in Miami Dade County and other areas where allowed by the Authority Having Jurisdiction (AHJ).

This NOA shall not be valid after the expiration date stated below. The Miami-Dade County Product Control Division (In Miami Dade County) and/or the AHJ (in areas other than Miami Dade County) reserve the right to have this product or material tested for quality assurance purposes. If this product or material fails to perform in the accepted manner, the manufacturer will incur the expense of such testing and the AHJ may immediately revoke, modify, or suspend the use of such product or material within their jurisdiction. BORA reserves the right to revoke this acceptance, if it is determined by Miami-Dade County Product Control Division that this product or material fails to meet the requirements of the applicable building code.

This product is approved as described herein, and has been designed to comply with the Florida Building Code, including the High Velocity Hurricane Zone.

### **DESCRIPTION: "Premium" 6' - 8" Outswing Glazed Fiberglass Door w/ and w/o Sidelites.**

**APPROVAL DOCUMENT:** Drawing No. **S-2581**, titled "3'0 x 6'8 Glazed Premium Fiberglass Door Outswing 'Non-Impact' ", sheets 1 through 9 of 9, dated 08/17/05, prepared by RW Building Consultants, Inc., signed and sealed by Lyndon F. Schmidt, P.E., bearing the Miami-Dade County Product Control Approval stamp with the Notice of Acceptance number and approval date by the Miami-Dade County Product Control Division.

### **MISSILE IMPACT RATING: None**

**LABELING:** Each unit shall bear a permanent label with the manufacturer's name or logo, city, state and following statement: "Miami-Dade County Product Control Approved", unless otherwise noted herein.

**RENEWAL** of this NOA shall be considered after a renewal application has been filed and there has been no change in the applicable building code negatively affecting the performance of this product.

**TERMINATION** of this NOA will occur after the expiration date or if there has been a revision or change in the materials, use, and/or manufacture of the product or process. Misuse of this NOA as an endorsement of any product, for sales, advertising or any other purposes shall automatically terminate this NOA. Failure to comply with any section of this NOA shall be cause for termination and removal of NOA.

**ADVERTISEMENT:** The NOA number preceded by the words Miami-Dade County, Florida, and followed by the expiration date may be displayed in advertising literature. If any portion of the NOA is displayed, then it shall be done in its entirety.

**INSPECTION:** A copy of this entire NOA shall be provided to the user by the manufacturer or its distributors and shall be available for inspection at the job site at the request of the Building Official. This NOA consists of this page 1 and evidence page E-1, as well as approval document mentioned above. The submitted documentation was reviewed by **Manuel Perez, P.E.**



NOA No 05- 0922.02  
Expiration Date: April 27, 2011  
Approval Date: April 27, 2006

**Trinity Glass International**

**NOTICE OF ACCEPTANCE: EVIDENCE SUBMITTED**

**A. DRAWINGS**

1. Manufacturer's die drawings and sections.
2. Drawing No **S-2581**, Sheets 1 through 9 of 9, titled "3'0 x 6'8 Glazed Premium Fiberglass Door Outswing 'Non-Impact' ", dated 08/17/05, prepared by RW Building Consultants, Inc., signed and sealed by Lyndon F. Schmidt, P.E.

**B. TESTS**

1. Test reports on 1) Air Infiltration Test, per FBC, TAS 202-94  
2) Uniform Static Air Pressure Test, Loading per FBC TAS 202-94  
3) Water Resistance Test, per FBC, TAS 202-94  
4) Forced Entry Test, per FBC 3603.2 (b) and TAS 202-94  
along with marked-up drawings and installation diagram of 3'0 x 6'8 "Premium Glazed Fiberglass Door, prepared by Testing Evaluation Laboratories, Inc., Test Report No. **TEL-05-0907-1**, dated 09/07/05, signed and sealed by Wendell W. Haney, P.E.

**C. CALCULATIONS**

1. Anchor verification calculations and structural analysis, complying with FBC-2004, dated 09/15/05, prepared by RW Building Consultants, Inc., signed and sealed by Lyndon F. Schmidt, P.E. **Complies with ASTM E1300-02**

**D. QUALITY ASSURANCE**

1. Miami Dade Building Code Compliance Office (BCCO).

**E. MATERIAL CERTIFICATIONS**

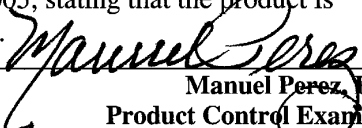
1. Test Report No. **ETC-05-781-17122.0**, prepared by ETC Laboratories., issued to Trinity Glass International, dated 10/19/05, Polyurethane Foam, tested per **ASTM D2843** "Self Ignition Temperature"; **ASTM E84** "Flame Spread Index", **ASTM E84** "Smoke Developed Index", signed and sealed by Joseph Labora Doldan, P.E.
2. Notice of Acceptance No. **05-1206.01** issued to Trinity Glass International, for their Unfinished Fiberglass Door Skin approved on 03/02/06 and expiring on 03/02/11.
3. Notice of Acceptance No. **02-0429.11** issued to Trinity Glass International, for their Trinity Lite Frame approved on 07/3/02 and expiring on 07/03/07.

**F. STATEMENTS**

1. Statement letter of conformance and no financial interest, dated 09/15/05, signed and sealed by Lyndon Schmidt, P.E.
2. Statement letter of no financial interest, dated 07/21/05, signed by Andrew Na.

**G. OTHER**

1. Letter from the consultant, dated November 10, 2005, stating that the product is compliance with the Florida Building Code (FBC).

  
Manuel Perez, P. E.  
Product Control Examiner  
NOA No 05-0922.02  
Expiration Date: April 27, 2011  
Approval Date: April 27, 2006



INTERNATIONAL  
4621 192nd STREET EAST TACOMA, WA 98446  
TEL: 253-875-7300 FAX: 253-875-7301

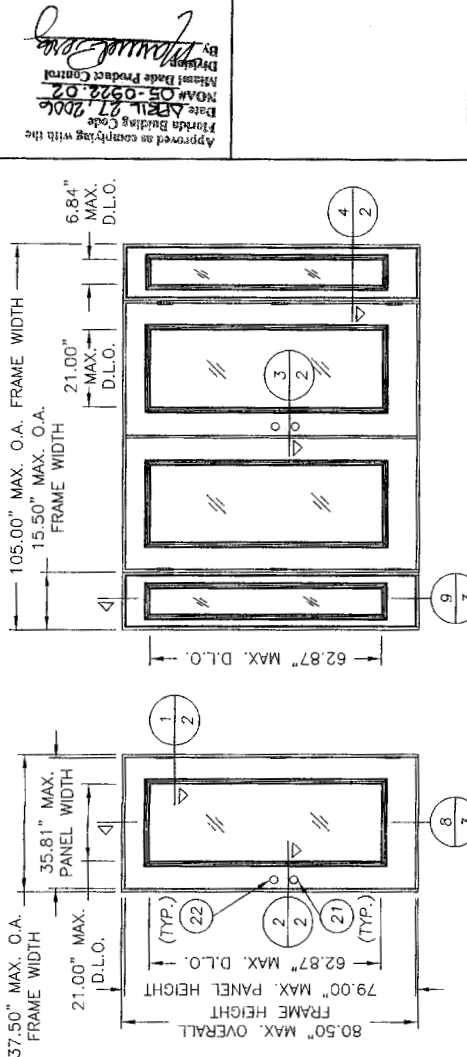
3'0 X 6'8

# GLAZED PREMIUM FIBERGLASS DOOR OUTSWING "NON-IMPACT"

## GENERAL NOTES

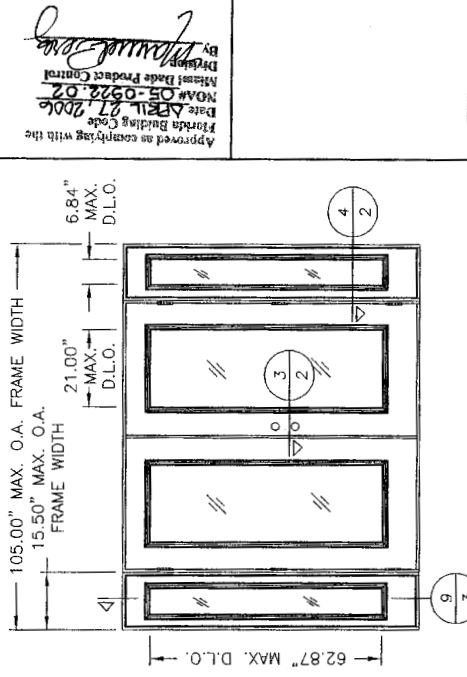
1. THIS PRODUCT HAS BEEN EVALUATED AND IS IN COMPLIANCE WITH THE FLORIDA BUILDING CODE INCLUDING THE "HIGH VELOCITY HURRICANE ZONE".
2. PRODUCT ANCHORS SHALL BE AS LISTED AND SPACED AS SHOWN ON DETAILS. ANCHOR EMBEDMENT TO BASE MATERIAL SHALL BE BEYOND WALL DRESSING OR STUCCO.
3. WHEN USED IN THE "HIGH VELOCITY HURRICANE ZONE" THIS PRODUCT IS REQUIRED TO BE PROTECTED WITH AN IMPACT RESISTANT COVERING THAT COMPLIES WITH SECTION 1626 OF THE FLORIDA BUILDING CODE.
4. WHEN USED IN AREAS OUTSIDE OF THE "HVHZ" REQUIRING WIND-BORNE DEBRIS PROTECTION THIS PRODUCT IS REQUIRED TO BE PROTECTED WITH AN IMPACT RESISTANT COVERING THAT COMPLIES WITH SECTION 1609.1.4 OF THE FLORIDA BUILDING CODE.
5. FOR 2X STUD FRAMING CONSTRUCTION, THE ANCHORING OF THESE UNITS SHALL BE THE SAME AS THAT SHOWN FOR 2X BUCK MASONRY CONSTRUCTION.
6. CONDITIONS NOT COVERED BY THIS DRAWING ARE SUBJECT TO FURTHER ENGINEERING ANALYSIS.
7. WOOD BUCKS BY OTHERS, MUST BE ANCHORED PROPERLY TO TRANSFER LOADS TO STRUCTURE AND TO BE REVIEWED BY BUILDING OFFICIAL.
8. FOR DESIGN PRESSURE RATING SEE CHART UNDER EACH PRODUCT ELEVATION.
9. THIS PRODUCT MEETS THE WATER REQUIREMENTS FOR HIGH VELOCITY HURRICANE ZONES.

TABLE OF CONTENTS	
1.	TYPICAL ELEVATION, DESIGN PRESSURES & GENERAL NOTES
2.	HORIZONTAL CROSS SECTIONS
3.	HORIZONTAL & VERTICAL CROSS SECTIONS
4.	FRAME ANCHORING
5.	FRAME ANCHORING
6.	FRAME ANCHORING
7.	FRAME ANCHORING & GLAZING DETAIL
8.	COMPONENTS
9.	BILL OF MATERIALS & COMPONENTS



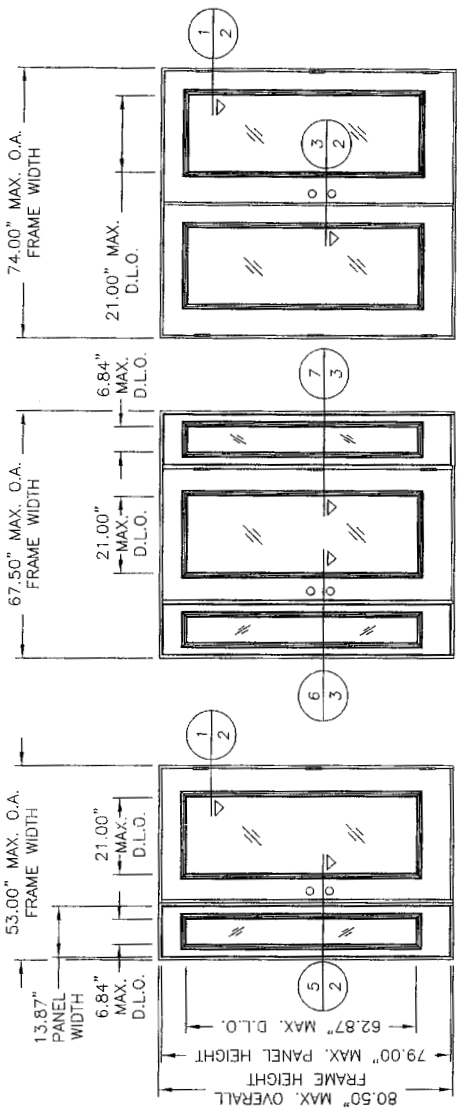
SINGLE DOOR

DESIGN PRESSURE (PSF)	+47.00	-47.00
-----------------------	--------	--------



DOUBLE DOOR W/SIDELITES BOXED

DESIGN PRESSURE (PSF)	+47.00	-47.00
-----------------------	--------	--------



SINGLE DOOR W/SIDELITE  
BOXED/CONTINUOUS HEAD & SILL

DESIGN PRESSURE (PSF)	+47.00	-47.00
C.H.S.	+47.00	-47.00
BOXED	+47.00	-47.00

SINGLE DOOR W/SIDELITES  
BOXED/CONTINUOUS HEAD & SILL

DESIGN PRESSURE (PSF)	+47.00	-47.00
C.H.S.	+47.00	-47.00
BOXED	+47.00	-47.00

DOUBLE DOOR

DESIGN PRESSURE (PSF)	+47.00	-47.00
-----------------------	--------	--------

Documents Prepared By:  
BUILDING CONSULTANTS, INC.  
P.O. Box 230 Venice FL 33595  
Phone No: 813.659.9197  
Certificate of Authorization No. 9813  
Florida Board of Professional Engineers  
Lyndon F. Schmidt, P.E. No. 43409  
9.15.06

PRODUCT:  
3'0 X 6'8 GLAZED PREMIUM  
FIBERGLASS DOOR  
OUTSWING "NON-IMPACT"  
PART OR ASSEMBLY:  
TYPICAL ELEVATION, DESIGN  
PRESSURES & GENERAL NOTES

NO.	DATE	REVISIONS

DATE: 08/17/05  
SCALE: N.T.S.  
DWG. BY: EIW  
CHK. BY: LFS  
DRAWING NO.: S-2581  
SHEET 1 OF 9

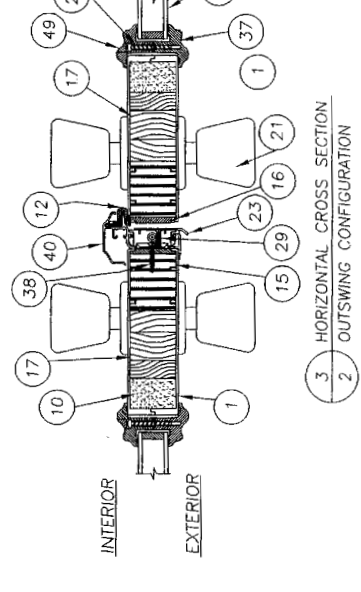
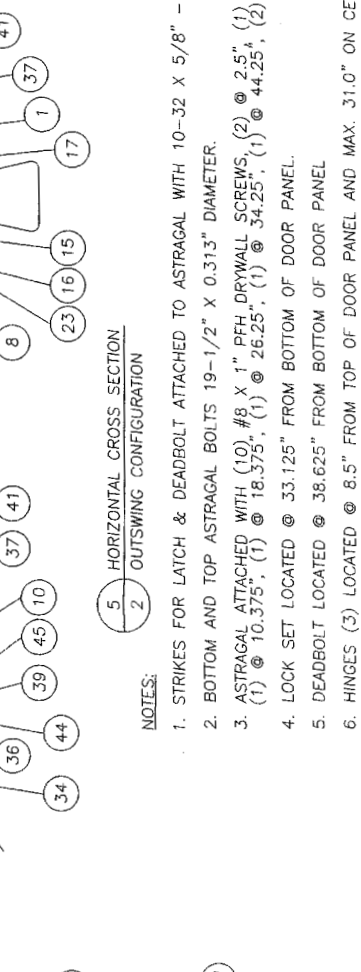
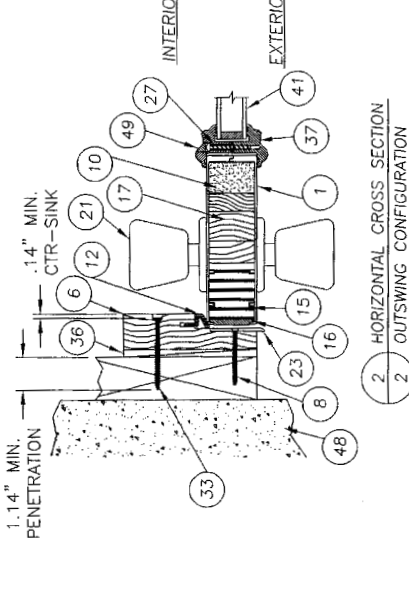
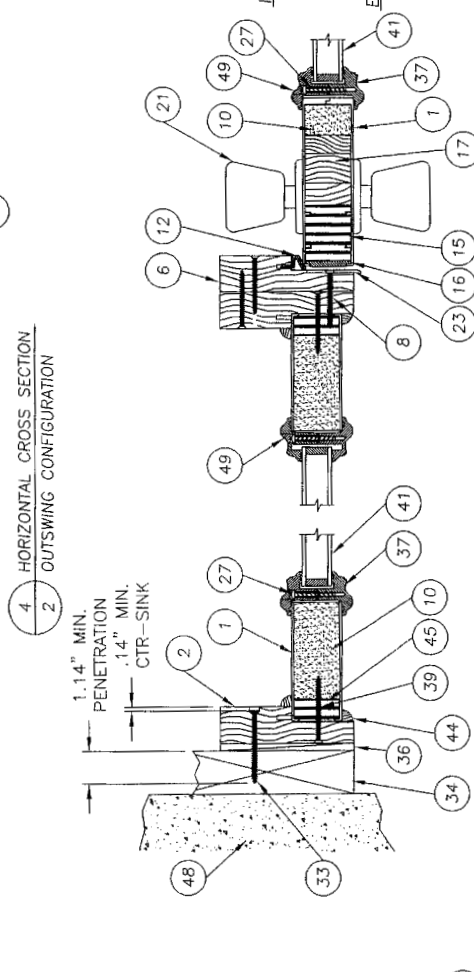
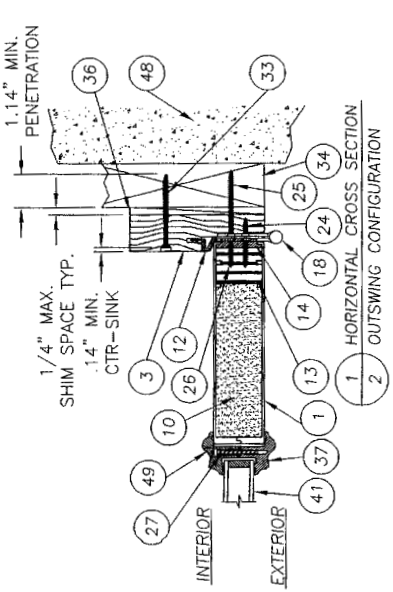
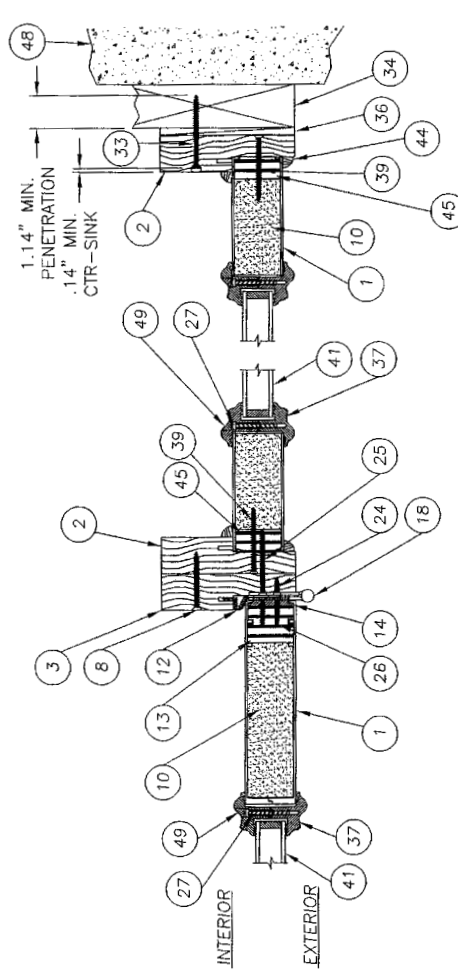
Approved and certifying with the  
Florida Building Code  
Date: 05-09-02  
MDA: 05-09-02  
Metal Brake Product Control  
By: [Signature]  
Dykes

Documents Prepared By:  
 Florida Building Consultants, Inc.  
 P.O. Box 230 Venice FL 33595  
 Phone No.: 813.659.9197  
 Certificate Of Authorization No. 9813  
 Florida Board of Professional Engineers  
 Lynden F. Schmitt, P.E. No. 43409  
 8/17/05

PRODUCT:  
 3'0" X 6'8" GLAZED PREMIUM  
 FIBERGLASS DOOR  
 "NON-IMPACT"  
 PART OR ASSEMBLY:  
 HORIZONTAL  
 CROSS SECTIONS

NO.	DATE	REVISIONS

Approved as complying with the  
 Florida Building Code  
 Date: APRIL 27, 2006  
 NO# 05-0977-02  
 Miami Grade Product Control  
 By: *[Signature]*  
 Director



- NOTES:
1. STRIKES FOR LATCH & DEADBOLT ATTACHED TO ASTRAGAL WITH 10-32 X 5/8" - 2 EACH.
  2. BOTTOM AND TOP ASTRAGAL BOLTS 19-1/2" X 0.313" DIAMETER.
  3. ASTRAGAL ATTACHED WITH (10) #8 X 1" PFH DRYWALL SCREWS, (2) @ 2.5" (1) @ 3.5" (1) @ 10.375", (1) @ 18.375", (1) @ 26.25", (1) @ 34.25", (1) @ 44.25", (2) @ 77.25".
  4. LOCK SET LOCATED @ 33.125" FROM BOTTOM OF DOOR PANEL.
  5. DEADBOLT LOCATED @ 38.625" FROM BOTTOM OF DOOR PANEL
  6. HINGES (3) LOCATED @ 8.5" FROM TOP OF DOOR PANEL AND MAX. 31.0" ON CENTER

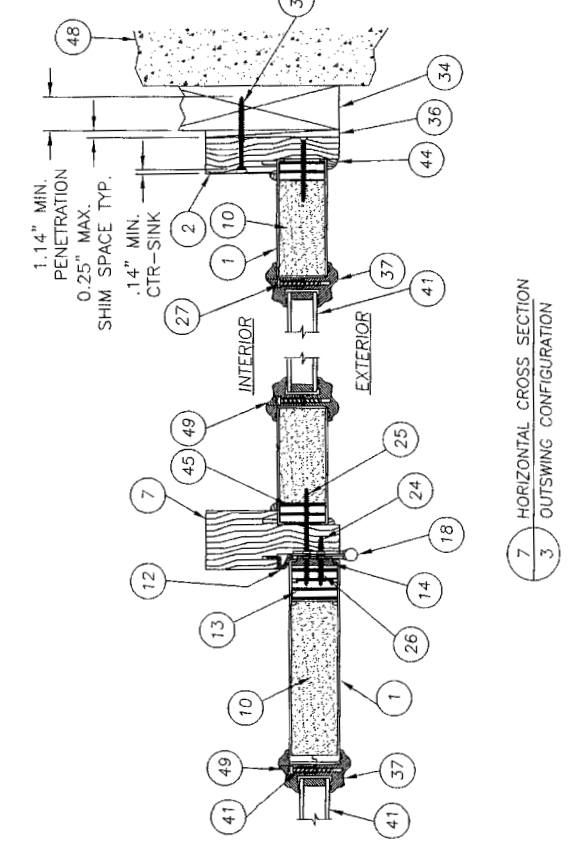
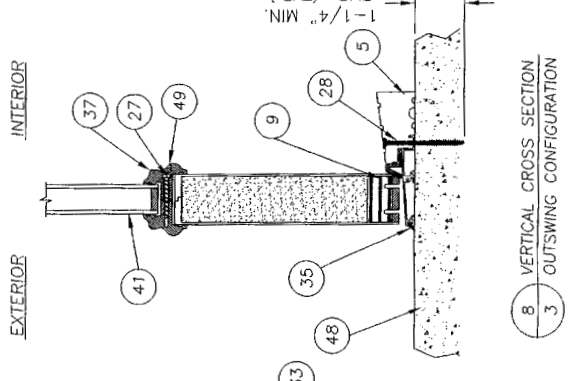
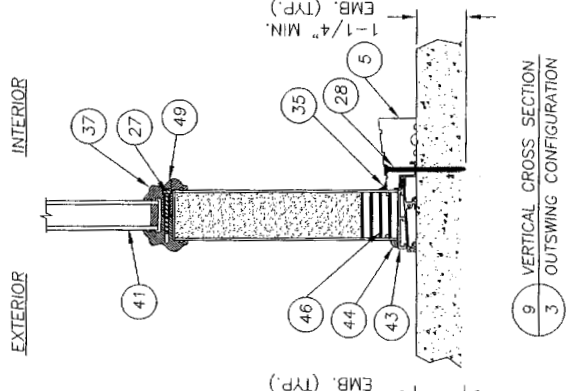
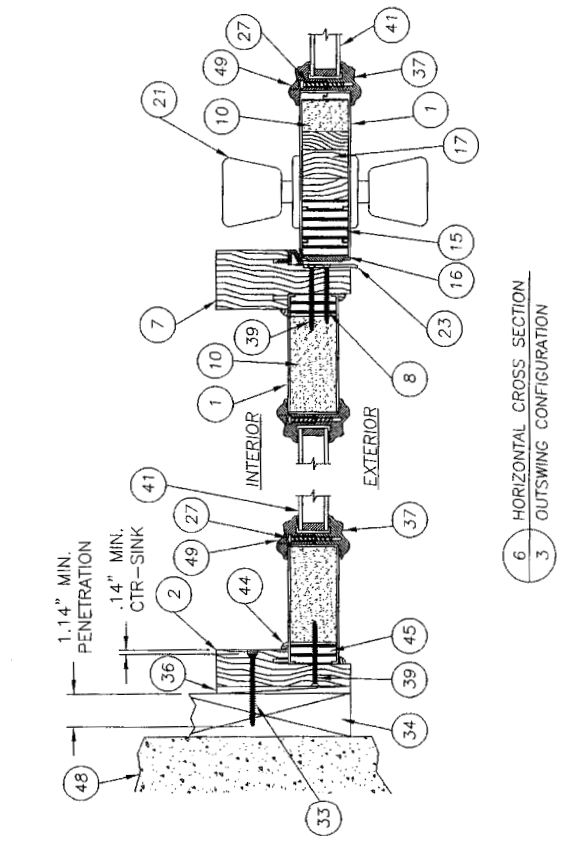
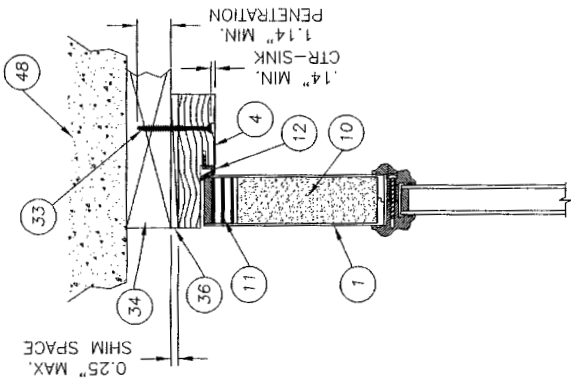
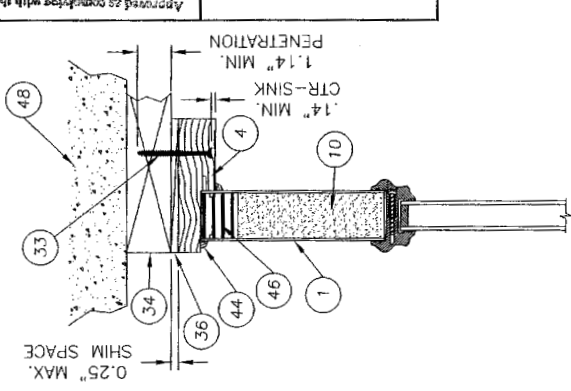
NO.	DATE	BY

REVISIONS

PRODUCT: 3'0" X 6'8" GLAZED PREMIUM FIBERGLASS DOOR  
 PART OR ASSEMBLY: OUTSWING "NON-IMPACT"  
 CROSS SECTIONS: HORIZONTAL & VERTICAL

Documents Prepared By: *Rm*  
 BUILDING CONSULTANTS, INC.  
 P.O. Box 230 Valrico FL 33595  
 Phone No.: 813.659.9197  
 Florida Board of Professional Engineers  
 Certificate Of Authorization No. 9813  
 Lyden F. Schmidt, P.E. No. 43409  
 9-15-06

Approved as complying with the  
 Florida Building Code  
 Date: **APRIL 27, 2006**  
 NO. **05-0922.02**  
 Miami Data Product Control  
 By: *Matthew Long*



9 VERTICAL CROSS SECTION  
3 OUTSWING CONFIGURATION

8 VERTICAL CROSS SECTION  
3 OUTSWING CONFIGURATION

7 HORIZONTAL CROSS SECTION  
3 OUTSWING CONFIGURATION

6 HORIZONTAL CROSS SECTION  
3 OUTSWING CONFIGURATION

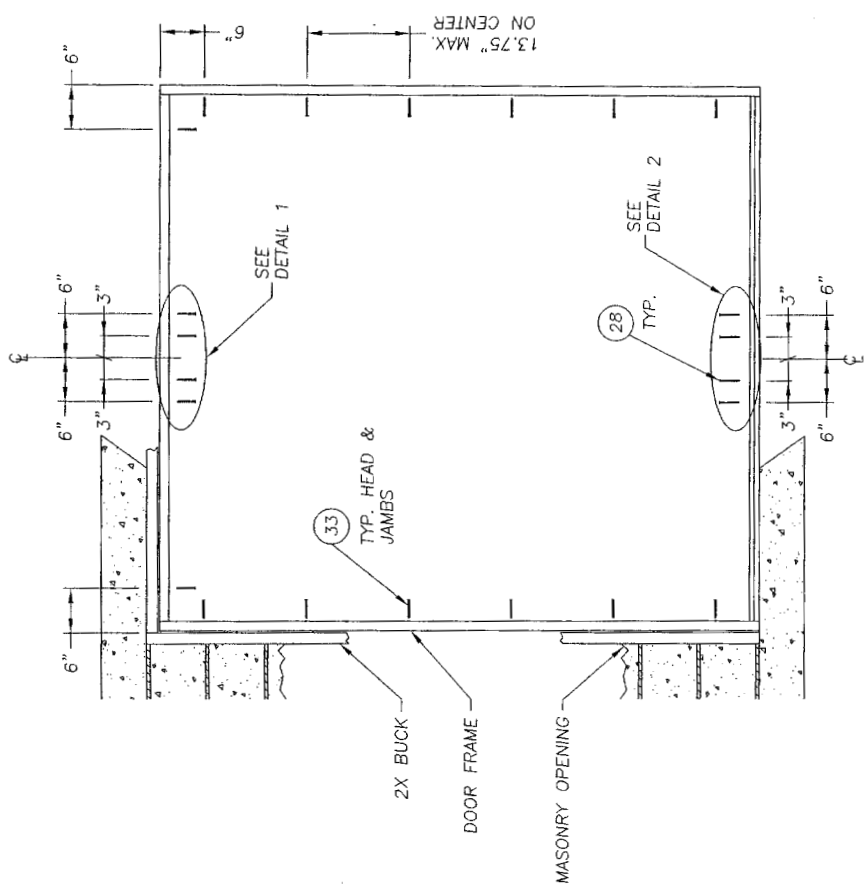
7 HORIZONTAL CROSS SECTION  
3 OUTSWING CONFIGURATION

BUILDING CONSULTANTS, INC.  
 P.O. Box 230 Venice FL 33595  
 Phone No.: 813.659.9197  
 Florida Board of Professional Engineers  
 Certificate Of Authorization No. 9813  
 9-15-06  
 Lyndon F. Schmidt, P.E. No. 43409  
 Documents Prepared By:

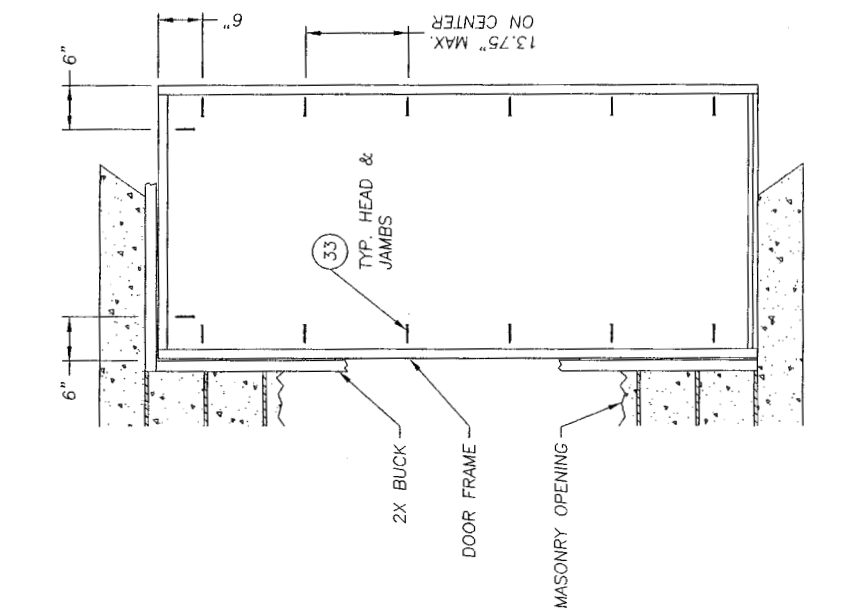
PRODUCT: 3'0" X 6'8" GLAZED PREMIUM  
 FIBERGLASS DOOR  
 OUTSWING "NON-IMACT"  
 PART OR ASSEMBLY:  
 FRAME ANCHORING

NO.	DATE	BY

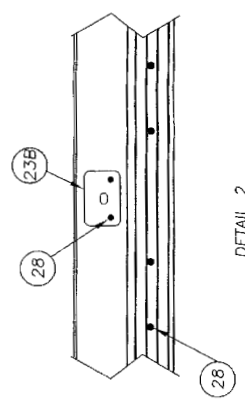
DATE: 8/17/05  
 SCALE: N.T.S.  
 DWG. BY: EW  
 CHK. BY: LFS  
 DRAWING NO.: S-2581  
 SHEET 4 OF 9



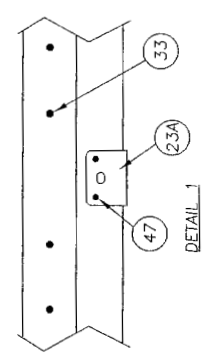
DOOR FRAME ANCHORING  
 DESIGN PRESSURE ± 47.00 PSF



DOOR FRAME ANCHORING  
 DESIGN PRESSURE ± 47.00 PSF



DETAIL\_2



DETAIL\_1

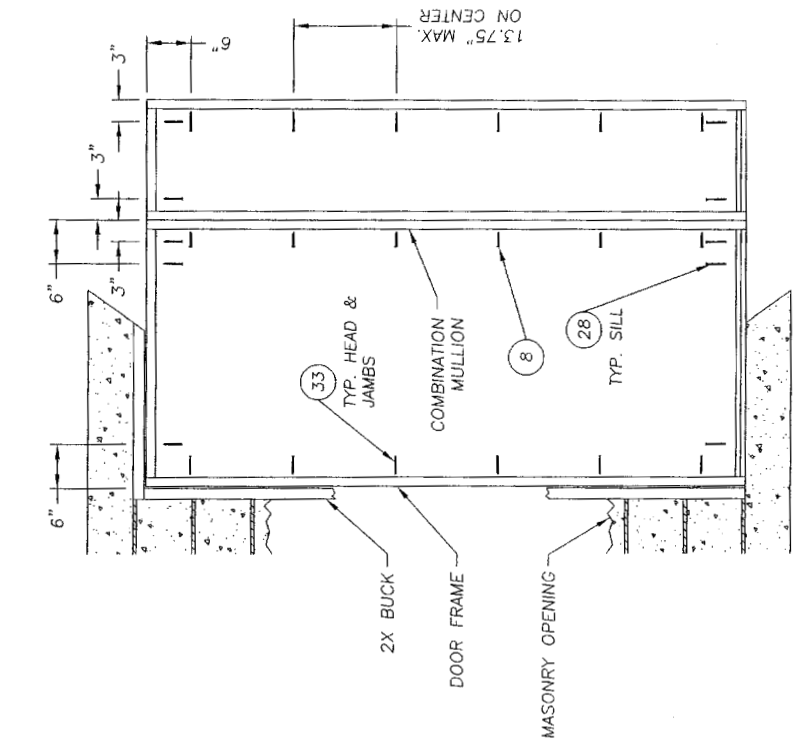
Approved as complying with the  
 Florida Building Code  
 Edition: APRIL 21, 2004  
 REVISED: 05-09-02  
 Florida State Board of Building  
 & Safety  
 By: *Lyndon F. Schmidt*

Documents Prepared By:  
**RW**  
 BUILDING CONSULTANTS, INC.  
 P.O. Box 230 Vero Beach, FL 33595  
 Phone No.: 813.659.9197  
 Florida Board of Professional Engineers  
 Certificate of Authorization No. 9813  
 Lyndon F. Schmidt, P.E. No. 43409  
 9.5.02

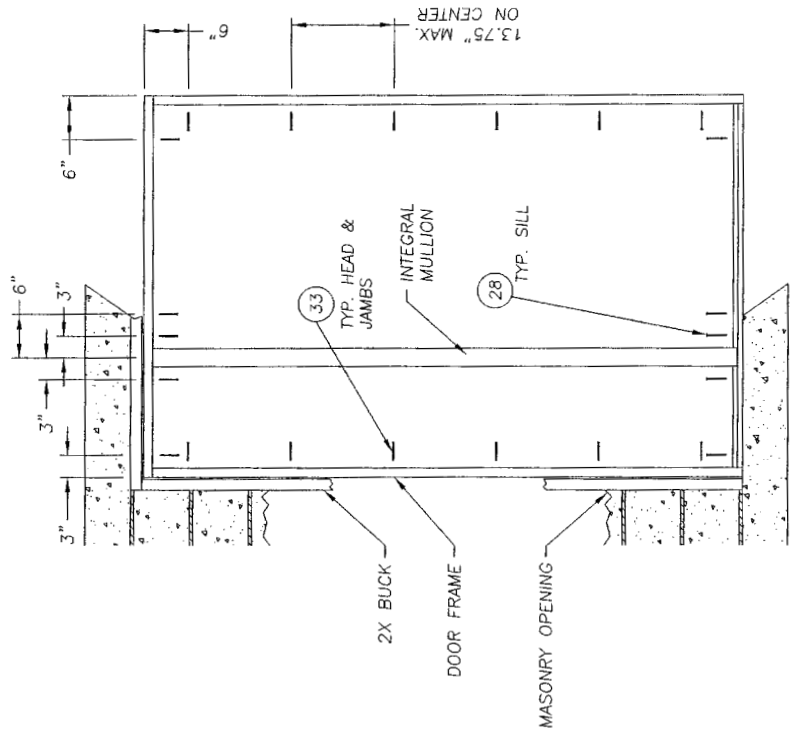
PRODUCT: 3'0" X 6'8" GLAZED PREMIUM  
 FIBERGLASS DOOR  
 "NON-IMPACT"  
 PART OR ASSEMBLY:  
 FRAME ANCHORING

NO.	DATE	BY

DATE: 8/17/05  
 SCALE: N.T.S.  
 DWG. BY: EW  
 CHK. BY: LFS  
 DRAWING NO.: S-2581  
 SHEET 5 OF 9



DOOR FRAME ANCHORING (BOXED)  
 DESIGN PRESSURE ± 47.00 PSF



DOOR FRAME ANCHORING (CHS)  
 DESIGN PRESSURE ± 47.00 PSF

Approved as complying with the  
 Florida Building Code  
 Date: **APRIL 27 2006**  
 P.M.A. **05-05-05**  
 Michael Buda Product Control  
 By: *Michael Buda*

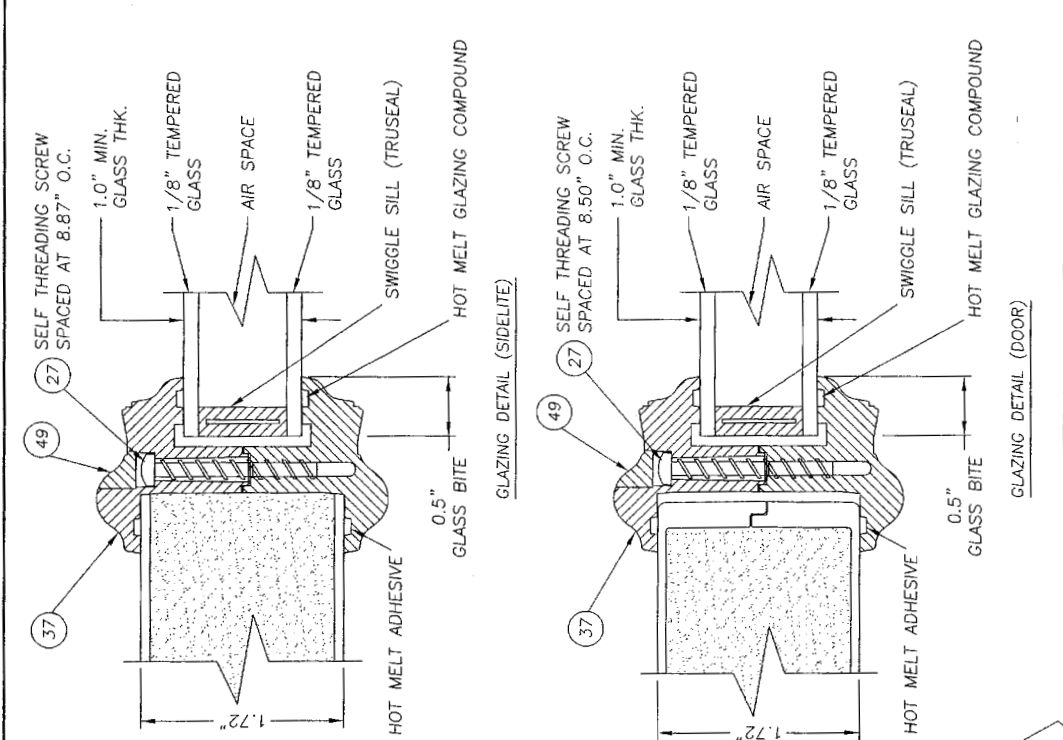


BUILDING CONSULTANTS, INC.  
 P.O. Box 230 Venice FL 33595  
 Phone No.: 813.659.9197  
 Florida Board of Professional Engineers  
 Certificate of Authorization No. 9813  
 Lynden F. Schmidt, P.E. No. 43409  
 2/15/06

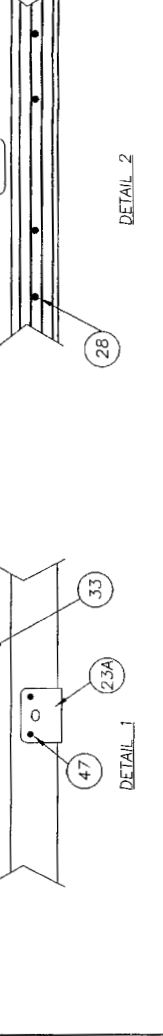
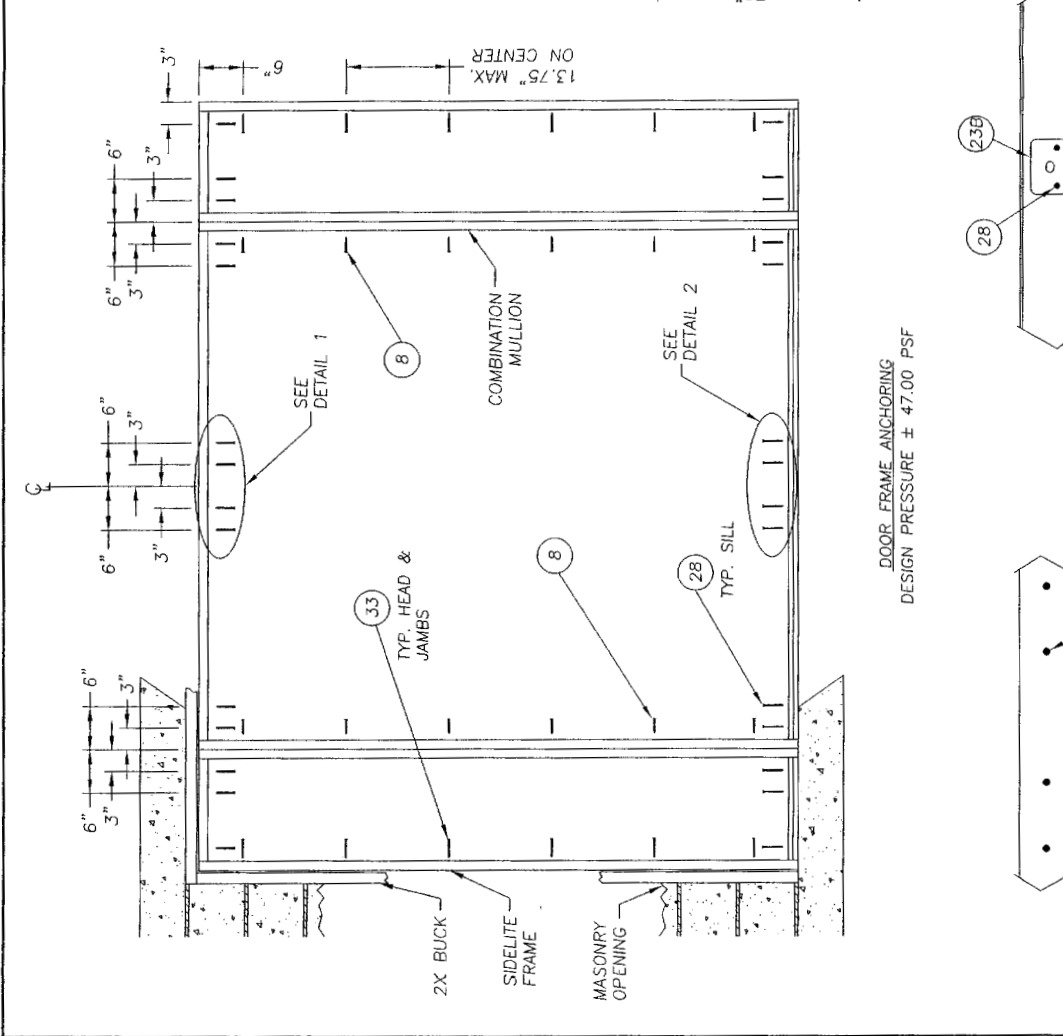
Documents Prepared By:  
 RFW  
 PRODUCT:  
 3'0" X 6'8" GLAZED PREMIUM  
 FIBERGLASS "NON-IMPACT"  
 QUITSWING, "NON-IMPACT"  
 PART OR ASSEMBLY:  
 FRAME ANCHORING &  
 GLAZING DETAIL

NO.	DATE	BY

DATE: 8/17/05  
 SCALE: N.T.S.  
 DWG. BY: EW  
 CHK. BY: LFS  
 DRAWING NO.: S-2581  
 SHEET 7 of 9



Approved on consulting with the  
 Florida Building Code  
 Effective: **APRIL 27, 2006**  
 2003 **05-0872.02**  
 Miami-Dade Product Control  
 Division  
 By: *Manuel Diaz*

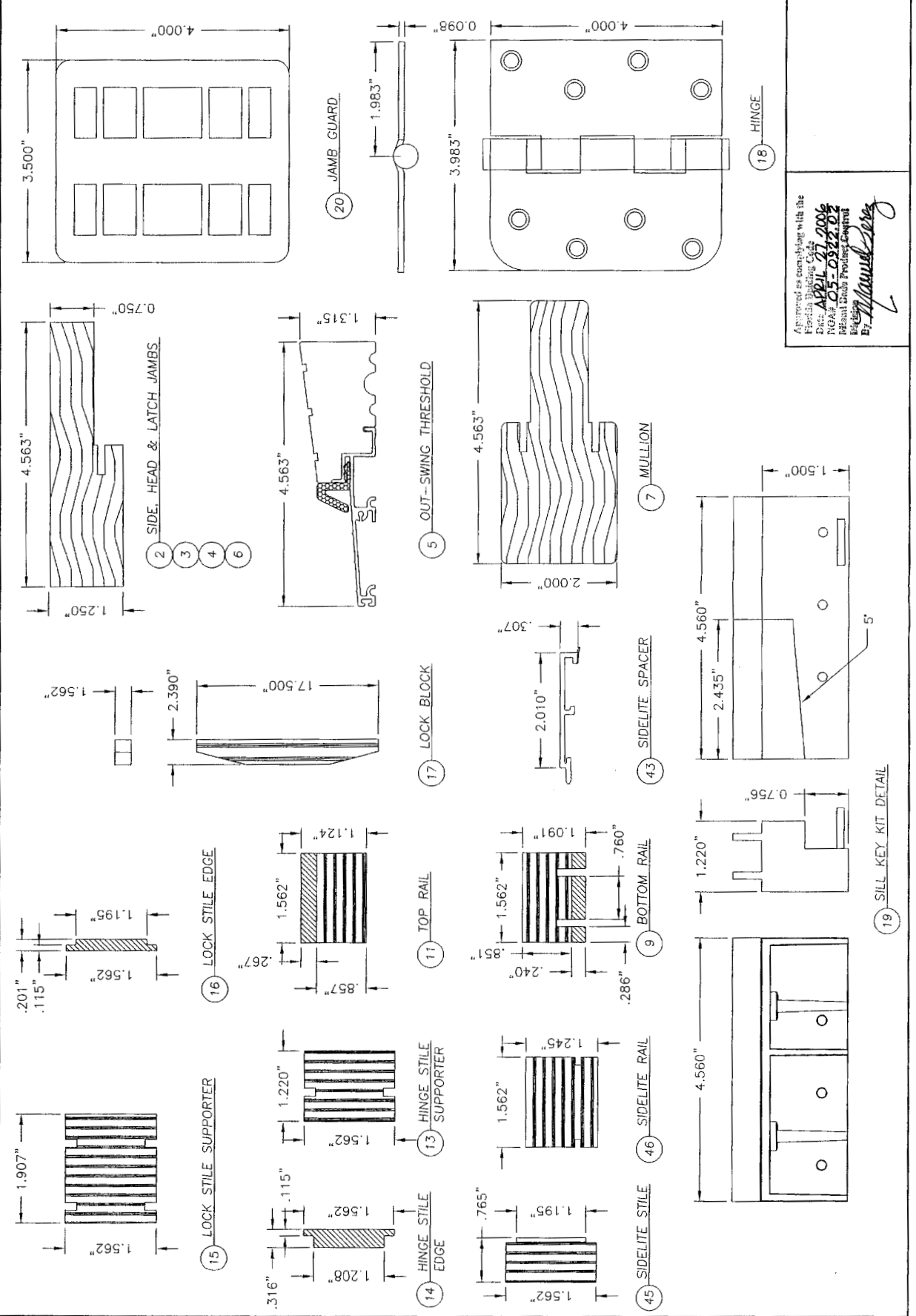


Documents Prepared By:  
 BUILDING CONSULTANTS, INC.  
 P.O. Box 230 Vero Beach, FL 33595  
 Phone No.: 813.659.9197  
 Florida Board of Professional Engineers  
 Certificate of Authorization No. 9813  
 Lyndon F. Schmidt, P.E. No. 43409  
 9/15/06

PRODUCT:  
 3'0" X 6'8" GLAZED PREMIUM  
 FIBERGLASS DOOR  
 CUTTING "NON-IMPACT"  
 PART OR ASSEMBLY:  
 COMPONENTS

NO.	DATE	REVISIONS

DATE: 8/17/05  
 SCALE: N.T.S.  
 DWG. BY: EW  
 CHK. BY: LFS  
 DRAWING NO.: S-2581  
 SHEET 8 OF 9



Approved as complying with the Florida Building Code  
 Effective Date: **APRIL 21, 2006**  
 INDIANAPOLIS, IN  
 INDIANAPOLIS, IN  
 By: *[Signature]*  
 Building Consultant

