



Trinity Glass
INTERNATIONAL

4621 192nd STREET EAST TACOMA, WA 98446
TEL: 253-875-7300 FAX: 253-875-7301

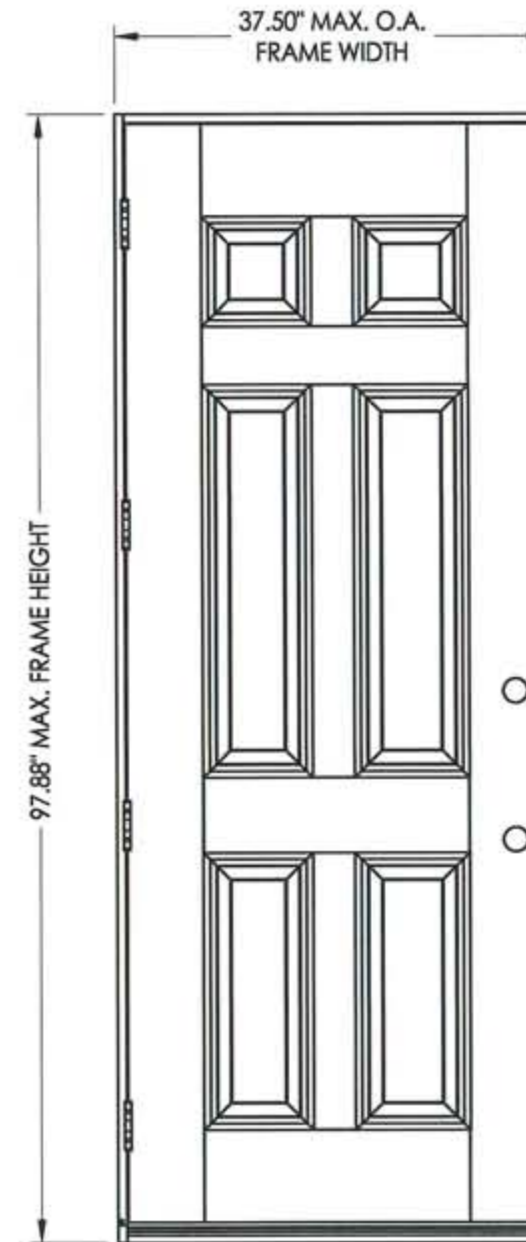
PREMIUM OPAQUE FIBERGLASS "IMPACT" DOOR IN SWING / OUTSWING

GENERAL NOTES

1. This product has been evaluated and is in compliance with the 2007 Florida Building Code (FBC) structural requirements excluding the "High Velocity Hurricane Zone" (HVHZ).
2. Product anchors shall be as listed and spaced as shown on details. Anchor embedment to base material shall be beyond wall dressing or stucco.
3. When used in areas requiring wind borne debris protection this product complies with Section 1609.1.2 of the 2007 FBC and does not need to be protected with an impact resistant covering. This product meets missile level "D" and includes Wind Zone 4 as defined in ASTM E1996.
4. For 2x stud framing construction, anchoring of these units shall be the same as that shown for 2x buck masonry construction.
5. Site conditions that deviate from the details of this drawing require further engineering analysis by a licensed engineer or registered architect.

TABLE OF CONTENTS

SHEET #	DESCRIPTION
1	Typical elevations, design pressures & general notes
2	Door panel construction details
3	Horizontal cross sections
4	Vertical cross sections
5	Buck and frame anchoring - 2X buck masonry construction
6	Frame anchoring - 1X buck masonry construction
7	Components
8	Bill of materials



SWING	MAX. FRAME DIMENSION	DESIGN PRESSURE (PSF)	
		POSITIVE	NEGATIVE
IN SWING	37.50" x 97.88"	+70.0	-70.0
OUTSWING	37.50" x 96.75"	+70.0	-70.0

Documents Prepared By:

RW BUILDING CONSULTANTS, INC.
P.O. Box 230 Vairico FL 32595
Phone No.: 813.659.9197
Florida Board of Professional Engineers
Certificate of Authorization No. 9813
Wendell W. Hapley P.E. No. 54158
7-8-08

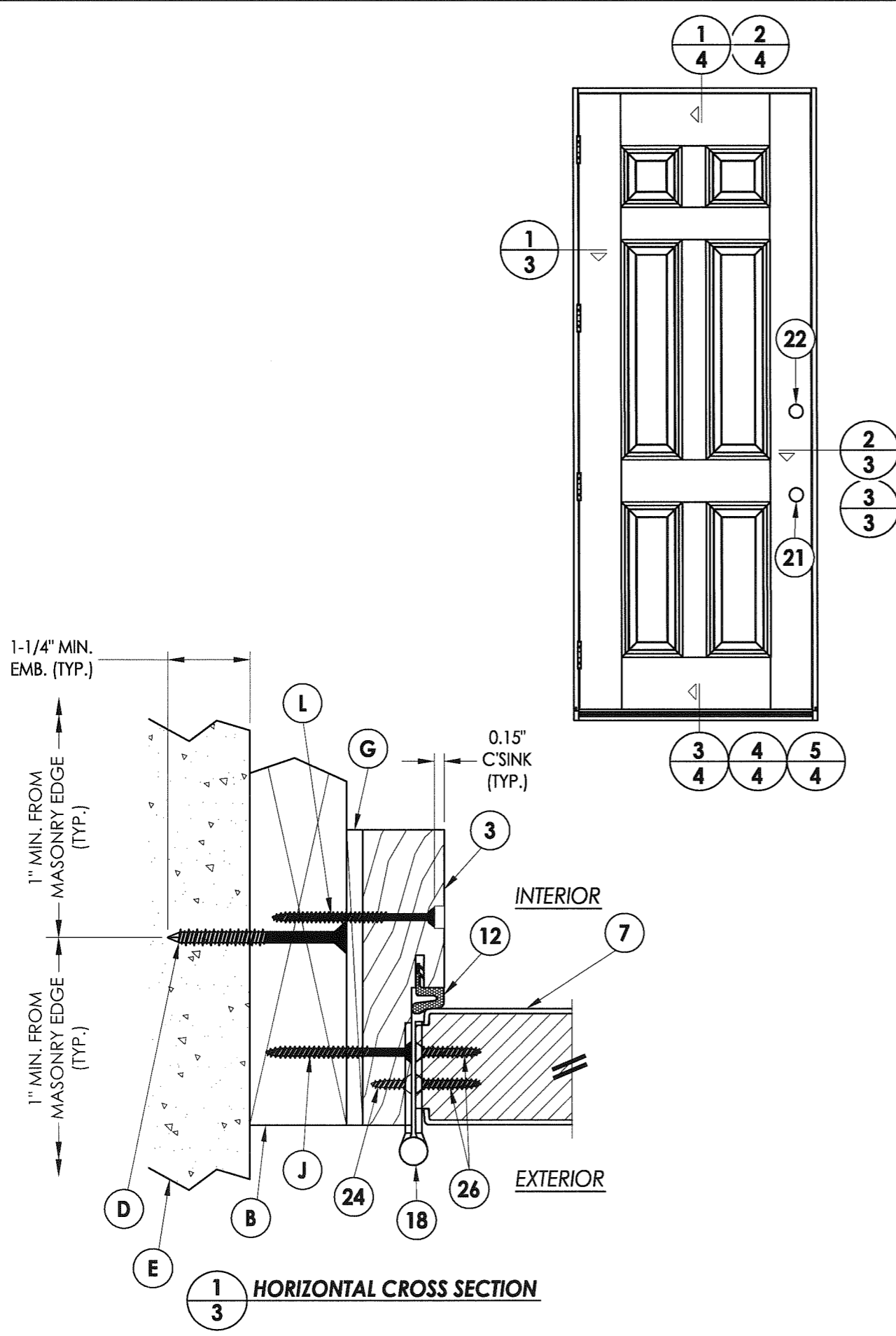
PRODUCT:
TRINITY GLASS INT'L
8'0" PREMIUM OPAQUE

PART OR ASSEMBLY:
TYPICAL ELEVATION, DESIGN PRESSURES & GENERAL NOTES

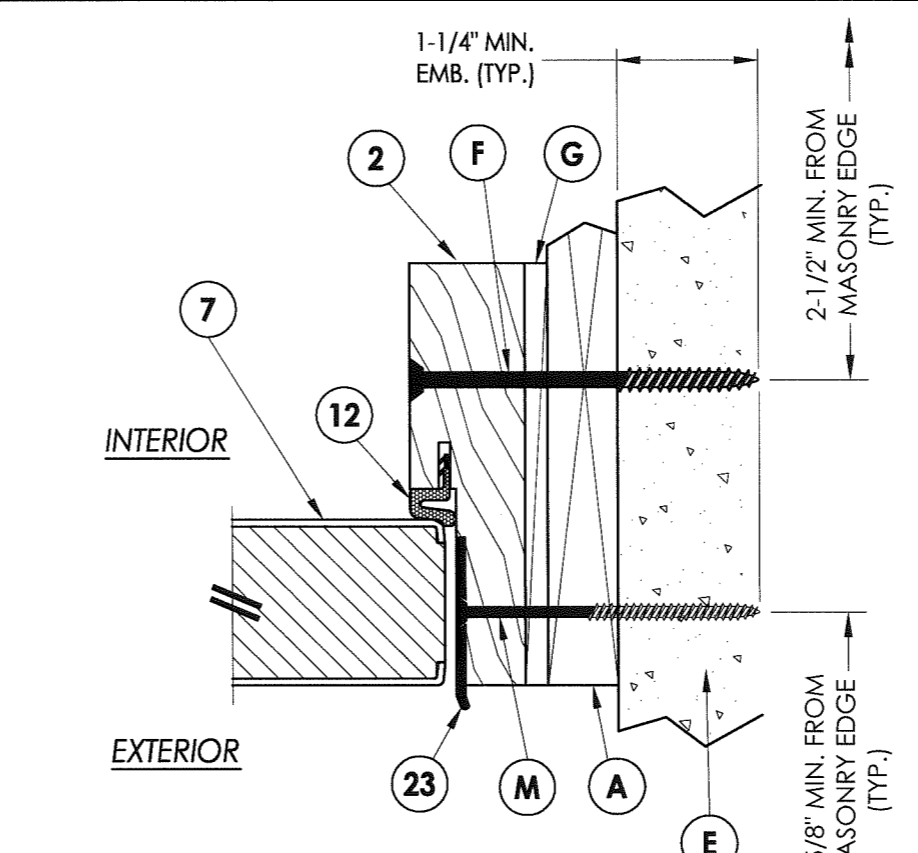
NO.	DATE	BY	REVISIONS

DATE: 5/07/08
SCALE: N.T.S.
DWG. BY: YV
CHK. BY: WWH
DRAWING NO.: FL-5750.1
SHEET 1 of 8

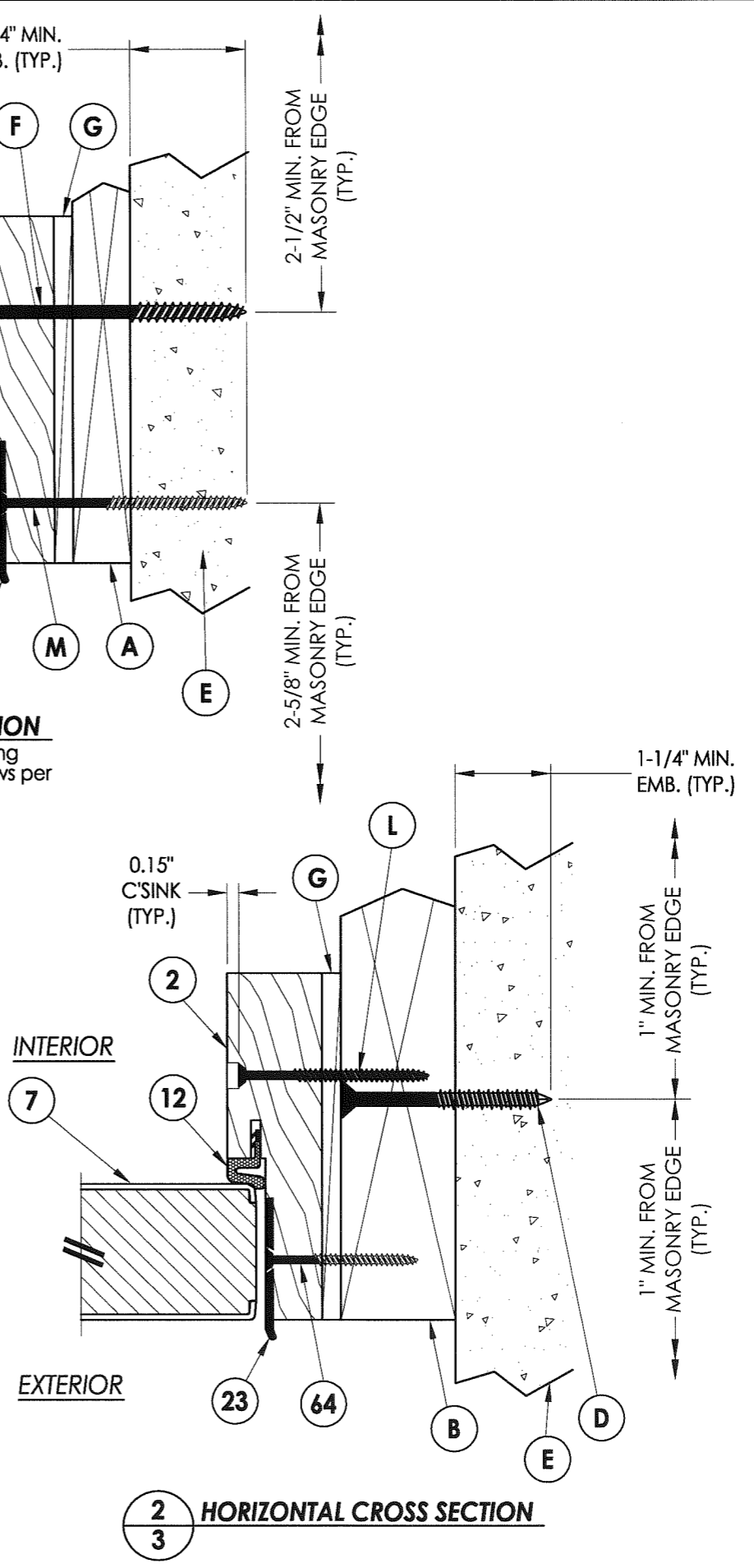
R:\A - Projects\Project Folders\Proj 801 - 900\p826\FL-5750\FL-5750.1-5.DWG, Model



1
3 HORIZONTAL CROSS SECTION



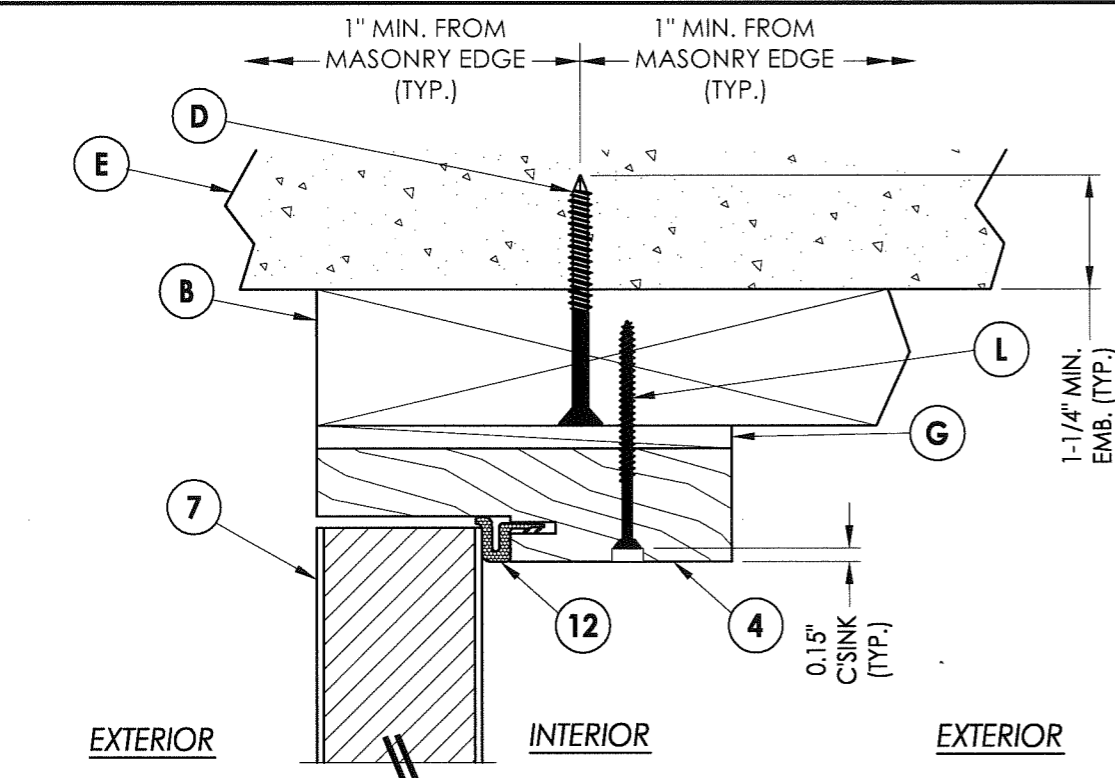
3
3 HORIZONTAL CROSS SECTION
Shown w/1X sub-buck substituting concrete screws for wood screws per Section 1714.5.4.2 of the FBC



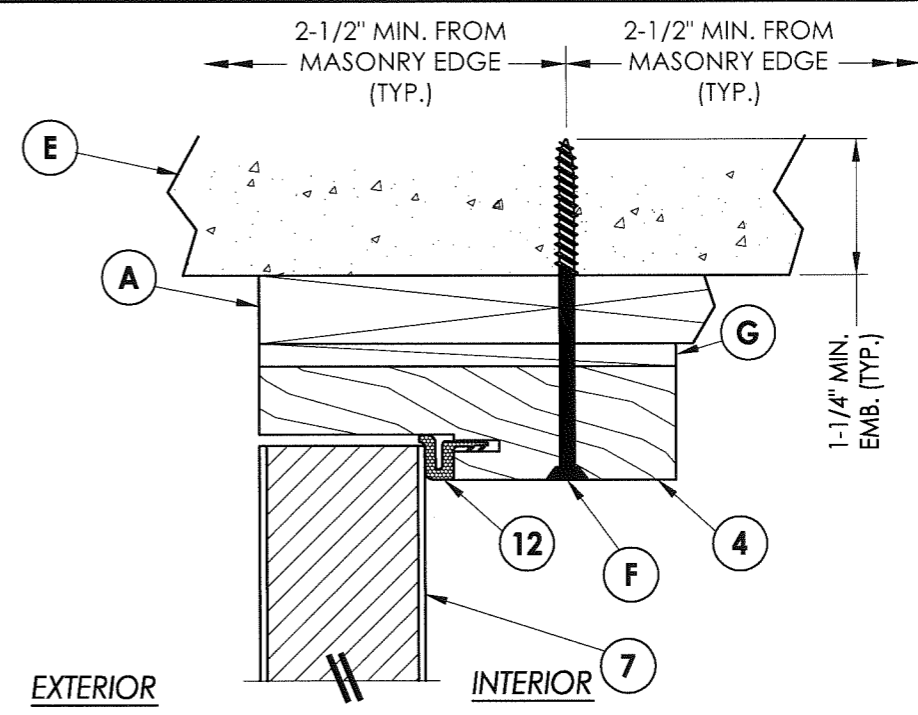
2
3 HORIZONTAL CROSS SECTION

Documents Prepared By:		RW BUILDING CONSULTANTS, INC. P.O. Box 230 Valrico FL 33595 Phone No.: 813.659.9197	
PRODUCT:		TRINITY GLASS INT'L 8'0 PREMIUM OPAQUE	
PART OR ASSEMBLY:		HORIZONTAL CROSS SECTIONS	
DATE:		5/07/08	
SCALE:		N.T.S.	
DWG. BY:		YV	
CHK. BY:		WWH	
DRAWING NO.:		FL-5750.1	
SHEET		3 OF 8	
NO.		DATE	
BY		REVISIONS	

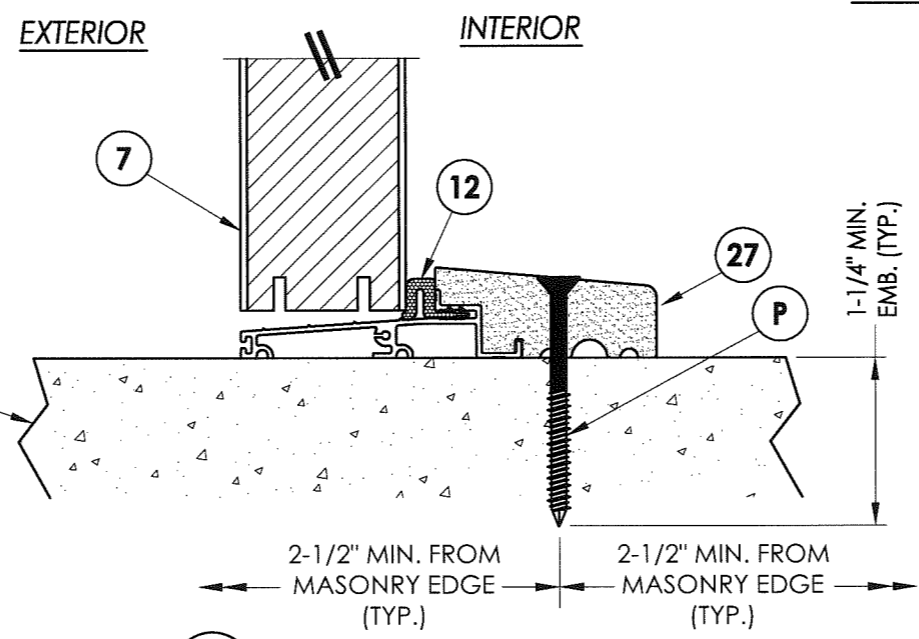
Florida Board of Professional Engineers
Certificate Of Authorization No. 9813
Wendell W. Henry, P.E. No. 54158
7-18-08



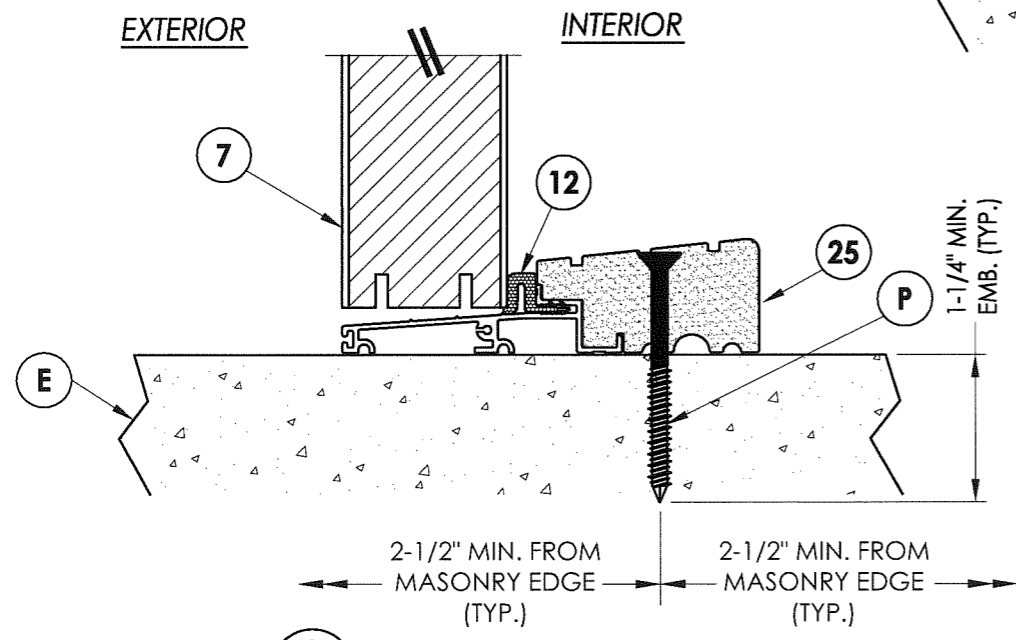
1 VERTICAL CROSS SECTION
4 Outswing shown
 Inswing also approved



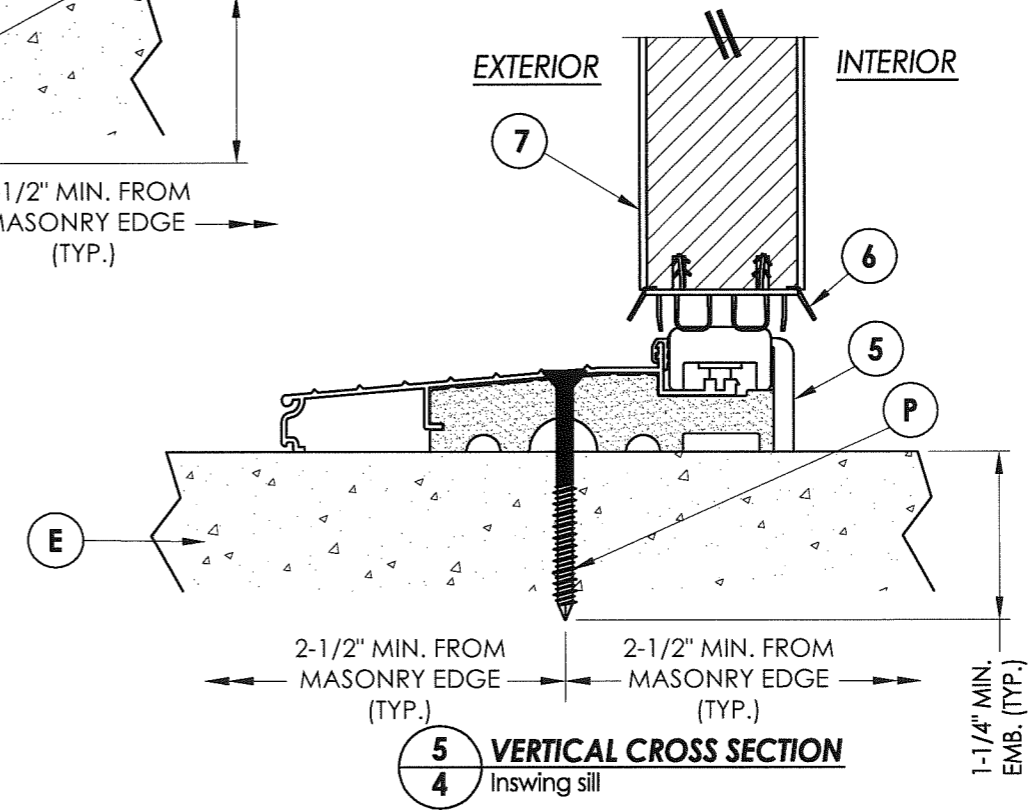
2 VERTICAL CROSS SECTION
4 Shown w/1X sub-buck substituting
 concrete screws for wood screws per
 Section 1714.5.4.2 of the FBC



4 VERTICAL CROSS SECTION
4 Outswing sill



3 VERTICAL CROSS SECTION
4 Outswing sill - high dam



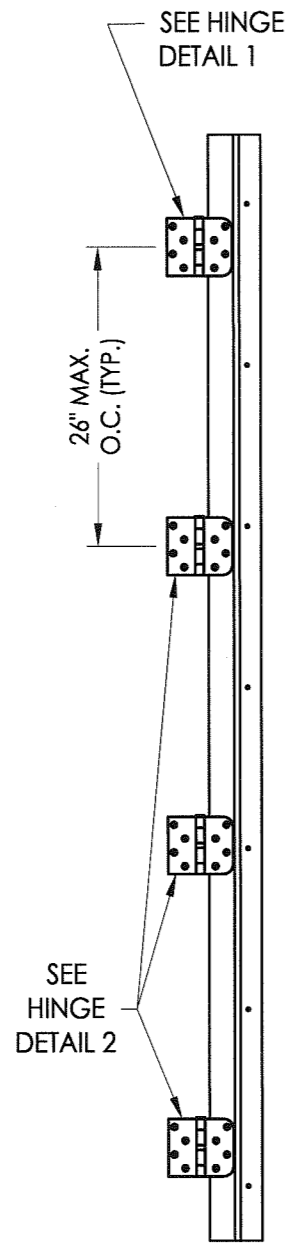
5 VERTICAL CROSS SECTION
4 Inswing sill

Documents Prepared By:
RW BUILDING CONSULTANTS, INC.
 P.O. Box 230 Vairico FL 33595
 Phone No.: 813.659.9197
 Florida Board of Professional Engineers
 Certificate Of Authorization No. 9813
Wendell W. Haney, P.E. 7-18-08
 Wendell W. Haney, P.E. No. 54158

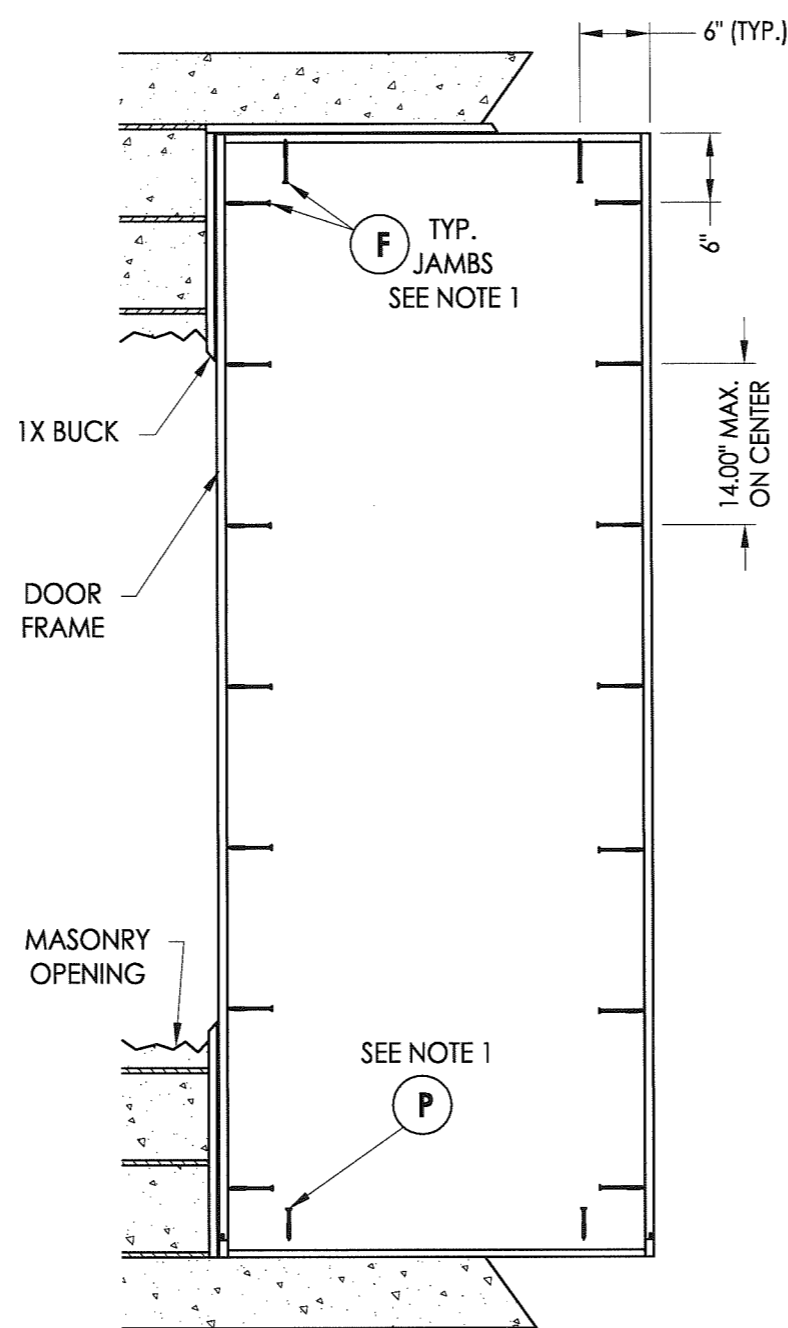
PRODUCT:
 TRINITY GLASS INT'L
 80 PREMIUM OPAQUE
 PART OR ASSEMBLY:
 VERTICAL CROSS SECTIONS

NO.	DATE	BY	REVISIONS

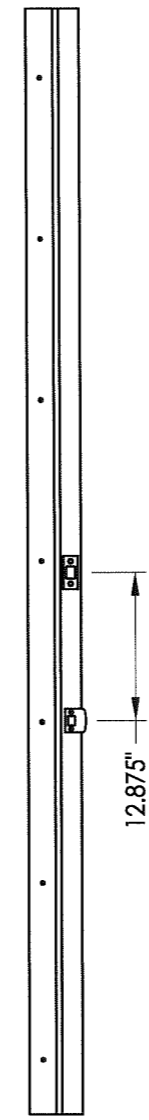
DATE: 5/07/08
 SCALE: N.T.S.
 DWG. BY: YV
 CHK. BY: WWH
 DRAWING NO.:
 FL-5750.1
 SHEET 4 OF 8



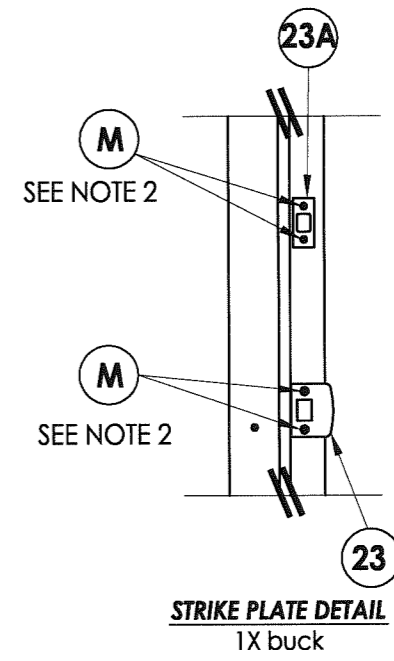
HINGE JAMB



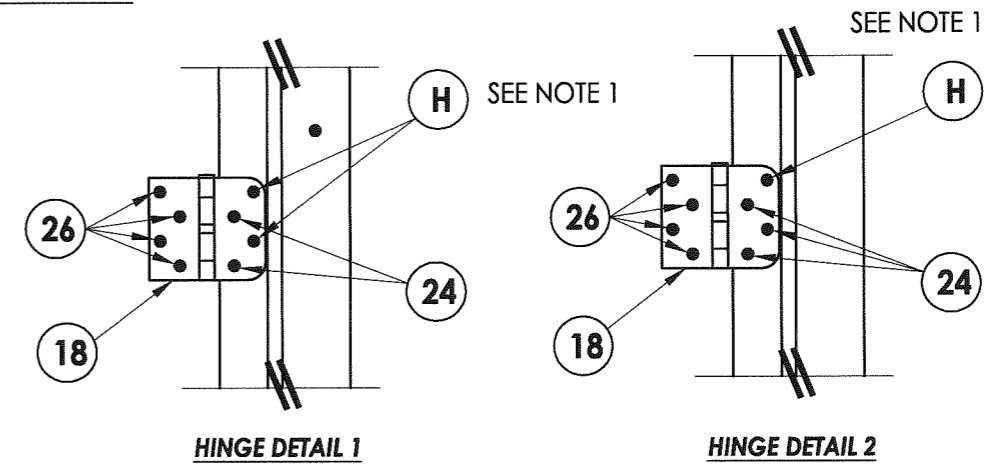
FRAME ANCHORING
Masonry 1X buck construction



STRIKE JAMB



STRIKE PLATE DETAIL
1X buck



HINGE DETAIL 1

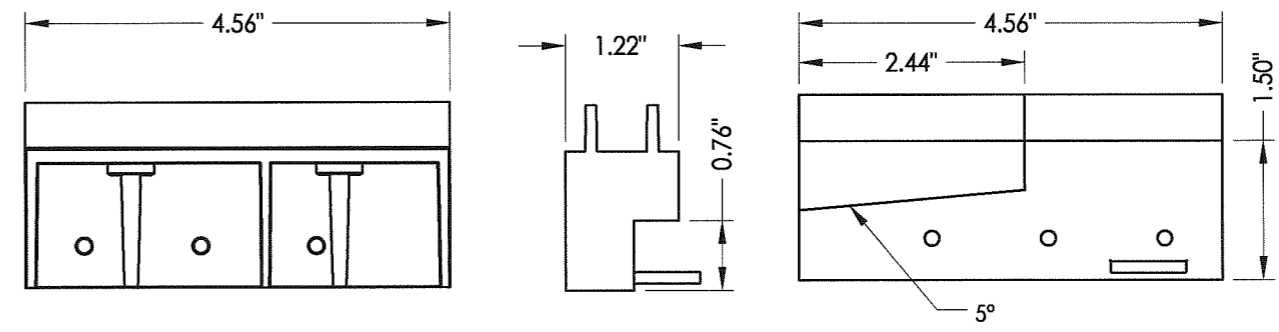
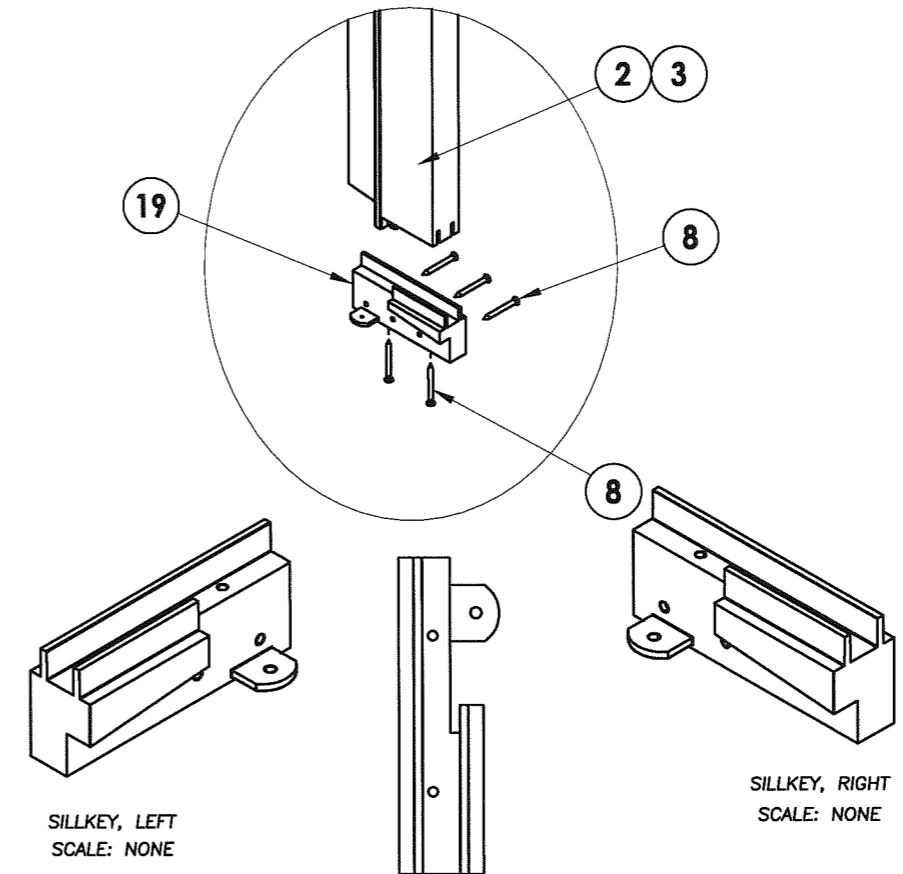
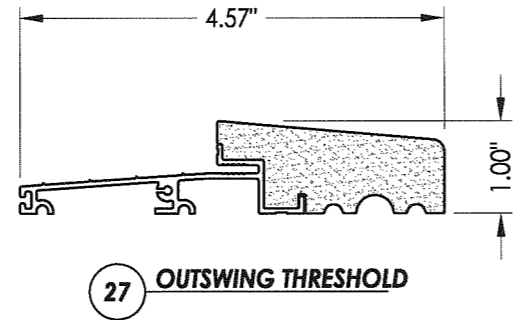
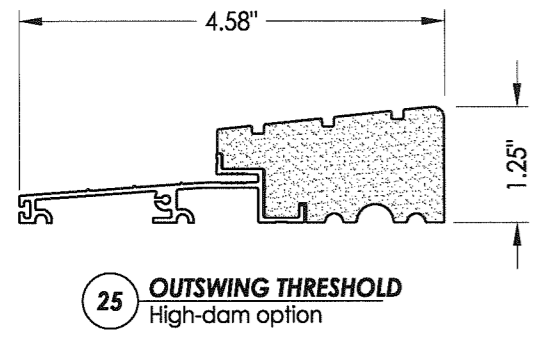
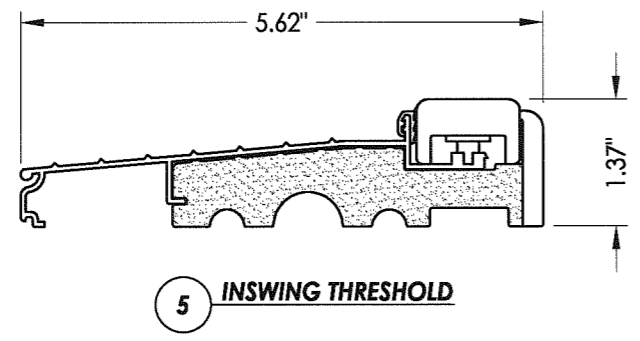
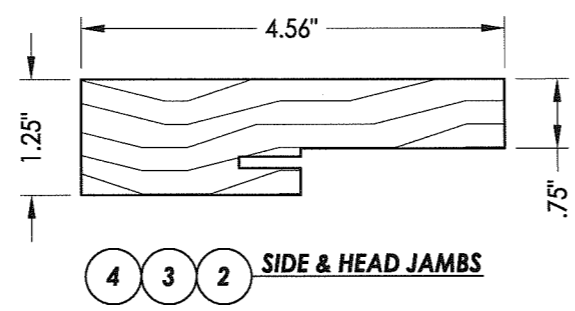
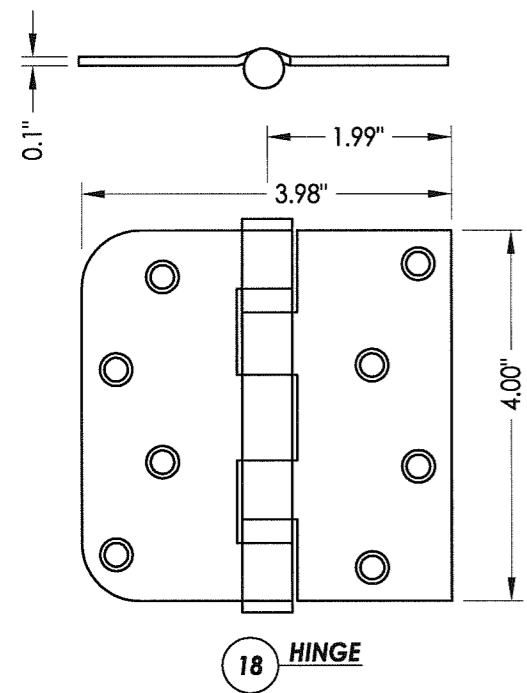
HINGE DETAIL 2

NOTES:

1. 1/4" ITW concrete screws anchoring frame and/or sill require a minimum 2-1/2" clearance to masonry edges, a 1-1/4" minimum embedment and a minimum 3" clearance to adjacent concrete screws. Substitution of equal concrete screws from a different supplier may have different edge distance and center distance requirements. Concrete screw locations at the corners may be adjusted to maintain the minimum edge distance to mortar joints. If Concrete screw locations noted as "MAX. ON CENTER" must be adjusted to maintain the minimum edge distance to mortar joints, additional Concrete screws may be required to ensure the maximum on center dimension is not exceeded.
2. 3/16" ITW concrete screws anchoring frame and/or sill require a minimum 2-5/8" clearance to masonry edges, a 1-1/4" minimum embedment and a minimum 2-1/4" clearance to adjacent concrete screws unless otherwise noted by concrete screw manufacturer.

Documents Prepared By: RW BUILDING CONSULTANTS, INC. P.O. Box 230 Valrico FL 33595 Phone No.: 813.659.9197 Florida Board of Professional Engineers Certificate Of Authorization No. 9813 <i>Wendell W. Hangul</i> 7-19-08 Wendell W. Hangul, P.E. No. 54158	
PRODUCT: TRINITY GLASS INT'L 8'0" PREMIUM OPAQUE	PART OR ASSEMBLY: FRAME ANCHORING 1X BUCK MASONRY CONSTRUCTION
NO.	DATE
BY	REVISIONS
DATE: 5/07/08	SCALE: N.T.S.
DWG. BY: YV	CHK. BY: WWH
DRAWING NO.: FL-5750.1	
SHEET 6 OF 8	

R:\A - Projects\Project_Folders\Proj_801 - 900\p826\FL-5750\FL-5750-1-5.DWG_Model



Documents Prepared By:
RW BUILDING CONSULTANTS, INC.
 P.O. Box 230 Valrico FL 33595
 Phone No.: 813.659.9197
 Florida Board of Professional Engineers
 Certificate Of Authorization No. 9813
Wendell W. Hgney 7/18/08
 Wendell W. Hgney, P.E. No. 54158

PRODUCT:
 TRINITY GLASS INT'L
 8'0 PREMIUM OPAQUE

PART OR ASSEMBLY:
 COMPONENTS

NO.	DATE	BY	REVISIONS

DATE: 5/07/08
 SCALE: N.T.S.
 DWG. BY: YV
 CHK. BY: WWH
 DRAWING NO.: FL-5750.1
 SHEET 7 OF 8

