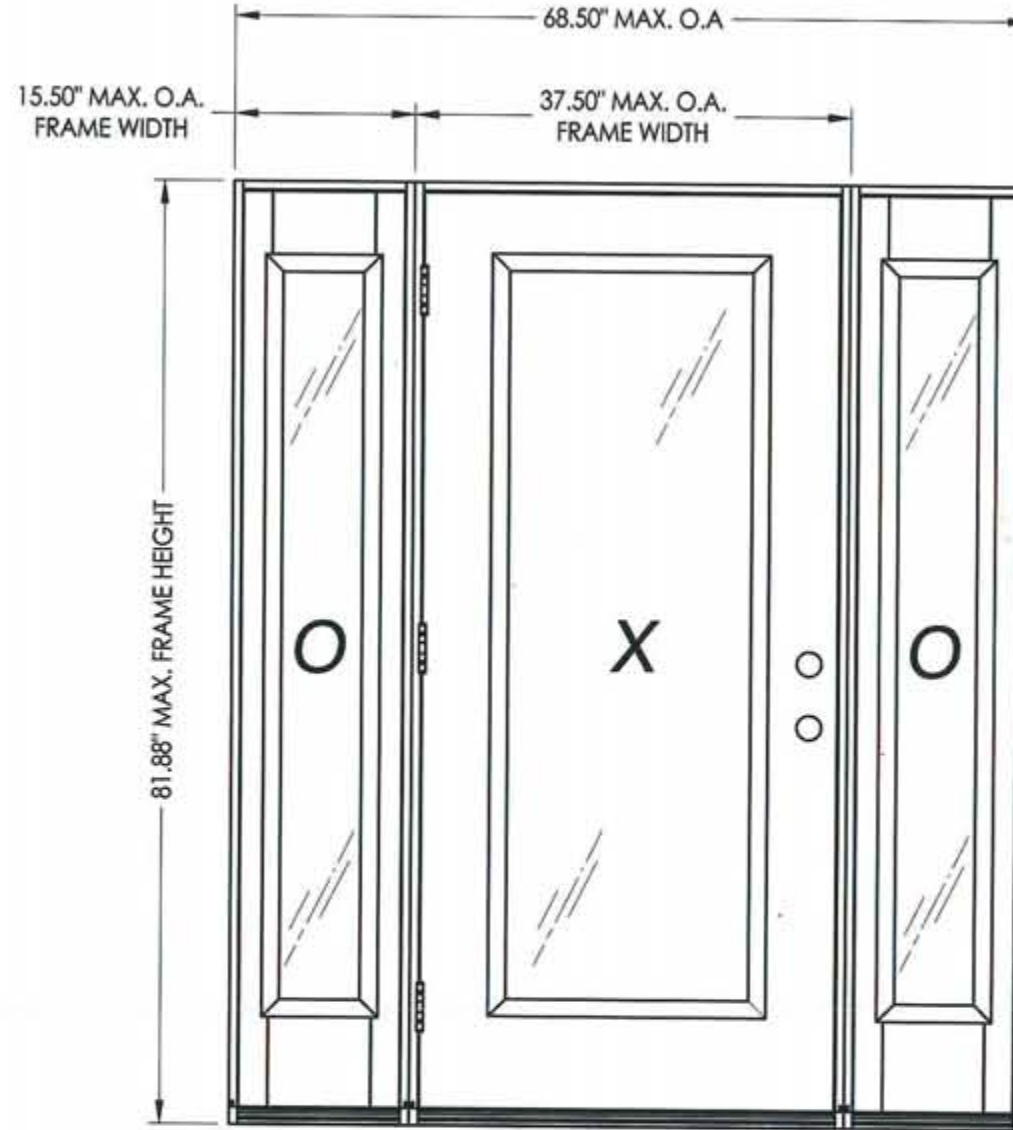


**PREMIUM LIPLITE
FIBERGLASS DOOR
IN SWING / OUT SWING
"NON-IMPACT"**

GENERAL NOTES

1. This product has been evaluated and is in compliance with the 2007 Florida Building Code (FBC) structural requirements including the "High Velocity Hurricane Zone" (HVHZ).
2. Product anchors shall be as listed and spaced as shown on details. Anchor embedment to base material shall be beyond wall dressing or stucco.
3. When used in the "HVHZ" this product is required to be protected with an impact resistant covering that complies with Section 1626 of the 2007 FBC.
4. When used in areas outside of the "HVHZ" requiring wind borne debris protection this product is required to be protected with an impact resistant covering that complies with Section 1609.1.2 of the FBC.
5. For 2x stud framing construction, anchoring of these units shall be the same as that shown for 2x buck masonry construction.
6. Site conditions that deviate from the details of this drawing require further engineering analysis by a licensed engineer or registered architect.
7. Outswing configuration using threshold item #25 meet water infiltration requirements for "HVHZ".
8. Inswing configurations and outswing configuration using threshold item #27 do not meet the water infiltration requirements for the "HVHZ" and shall be installed only in non-habitable areas or at habitable locations protected by an overhang or canopy such that the angle between the edge of canopy or overhang to sill is less than 45 degrees.

TABLE OF CONTENTS	
SHEET #	DESCRIPTION
1	Typical elevations, design pressures & general notes
2	Door panel construction details & glazing details
3	Sidelite panel construction details & glazing details
4	Horizontal cross sections
5	Vertical cross sections
6	Vertical cross sections
7	Buck and frame anchoring - 2X buck masonry construction
8	Frame anchoring - 1X buck masonry construction
9	Components
10	Bill of materials



SINGLE with BOXED SIDELITES

SWING	MAX. FRAME DIMENSION	GLASS TYPE	DESIGN PRESSURE (PSF)	
			POSITIVE	NEGATIVE
IN SWING	68.50" x 81.88"	G1	+47.0	-47.0
OUT SWING	68.50" x 80.75"		+47.0	-47.0

Documents Prepared By: **RW** BUILDING CONSULTANTS, INC.
P.O. Box 230 Valrico FL 33595
Phone No.: 813.659.9197

Florida Board of Professional Engineers
Certificate Of Authorization No. 9813
Wendell W. Horney P.E. No. 54158

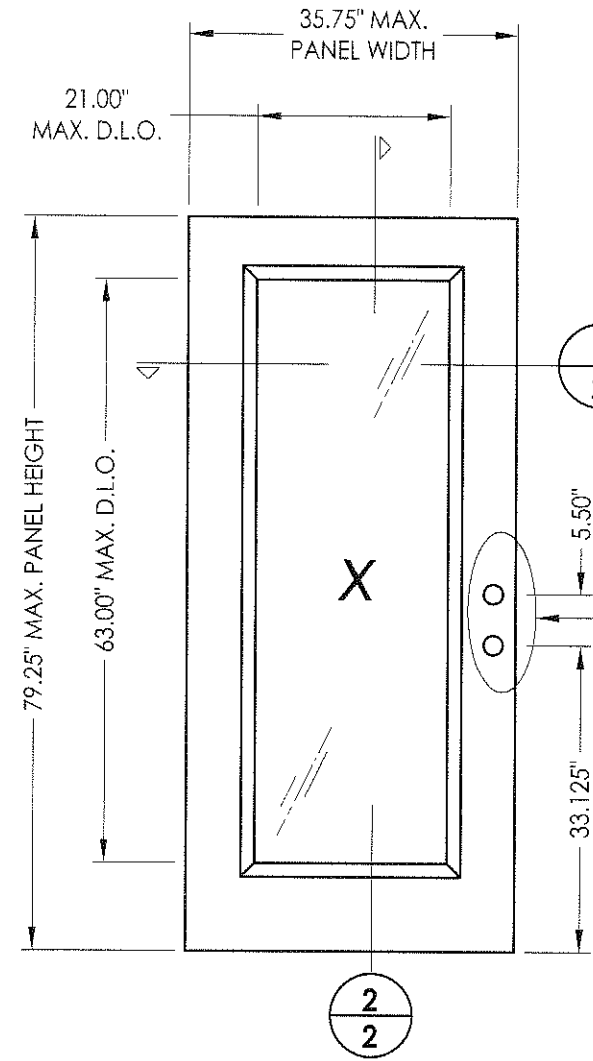
PRODUCT: TRINITY GLASS INT'L PREMIUM LIPLITE FIBERGLASS
PART OR ASSEMBLY: TYPICAL ELEVATION, DESIGN PRESSURES & GENERAL NOTES

NO.	DATE	BY	REVISIONS

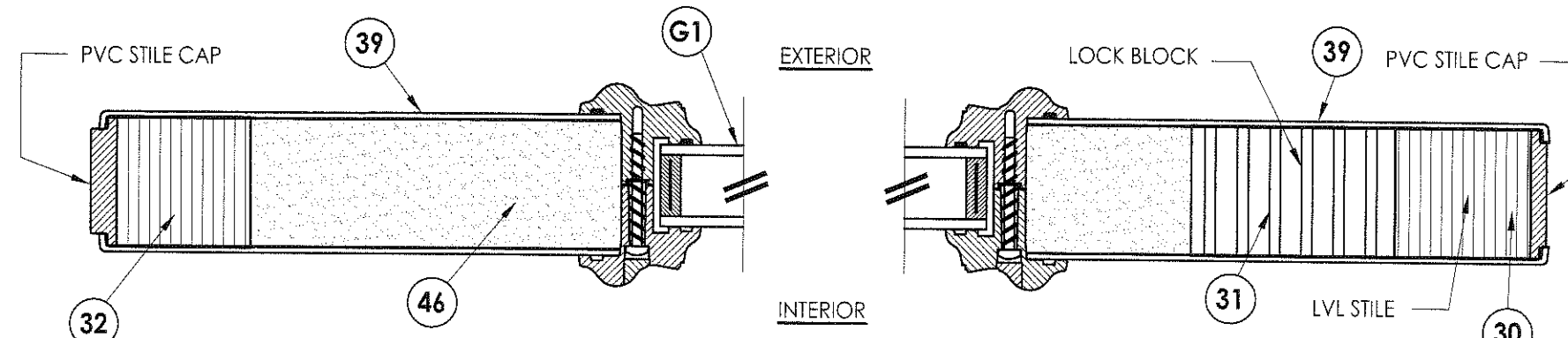
DATE: 5/09/08
SCALE: N.T.S.
DWG. BY: YV
CHK. BY: WWH
DRAWING NO.: FL-11165.5
SHEET 1 OF 10

© 2008 R.W. BUILDING CONSULTANTS INC.

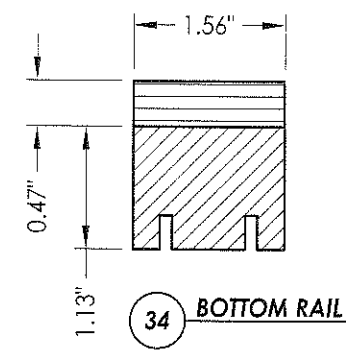
K:\A - Projects\Project Folders\Proj 1101 - 1200\p1122\DWG - RWBC Drawings\FL-11165\FL-11165.1-7.dwg, Model



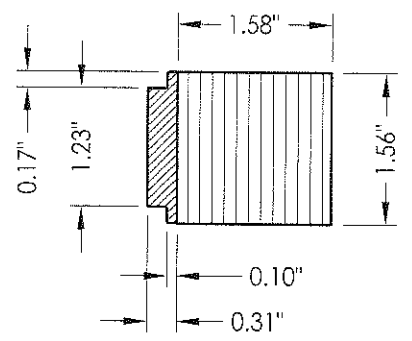
7 PREMIUM LIPLITE FIBERGLASS DOOR



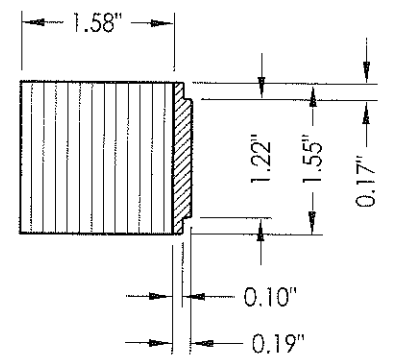
1 HORIZONTAL CROSS SECTION



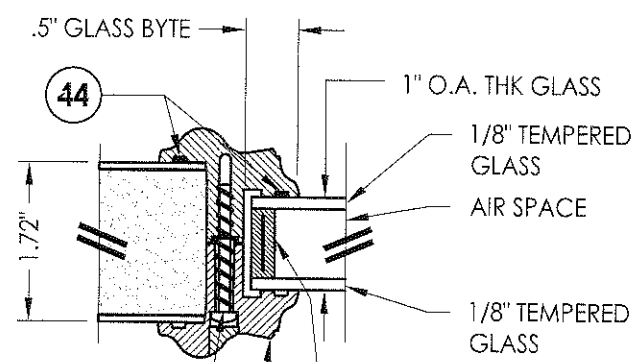
34 BOTTOM RAIL



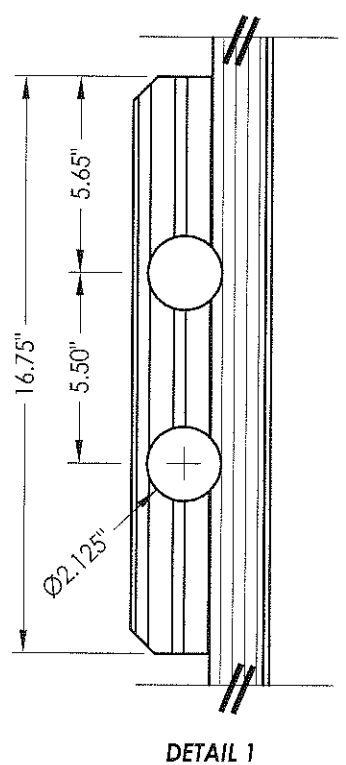
32 HINGE STILE



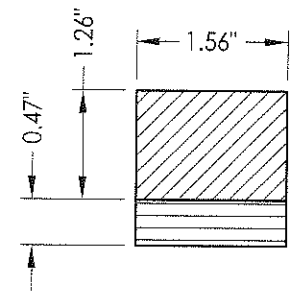
30 LATCH STILE



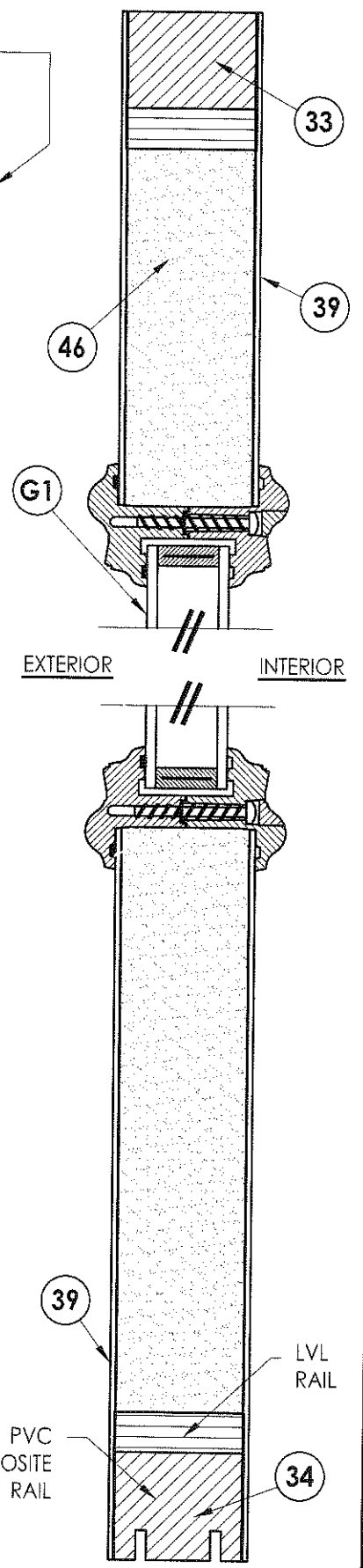
G1 GLAZING DETAIL



DETAIL 1



33 TOP RAIL



2 VERTICAL CROSS SECTION

PRODUCT: TRINITY GLASS INT'L PREMIUM LIPLITE FIBERGLASS
 PART OR ASSEMBLY: DOOR PANEL CONSTRUCTION DETAILS AND GLAZING DETAILS

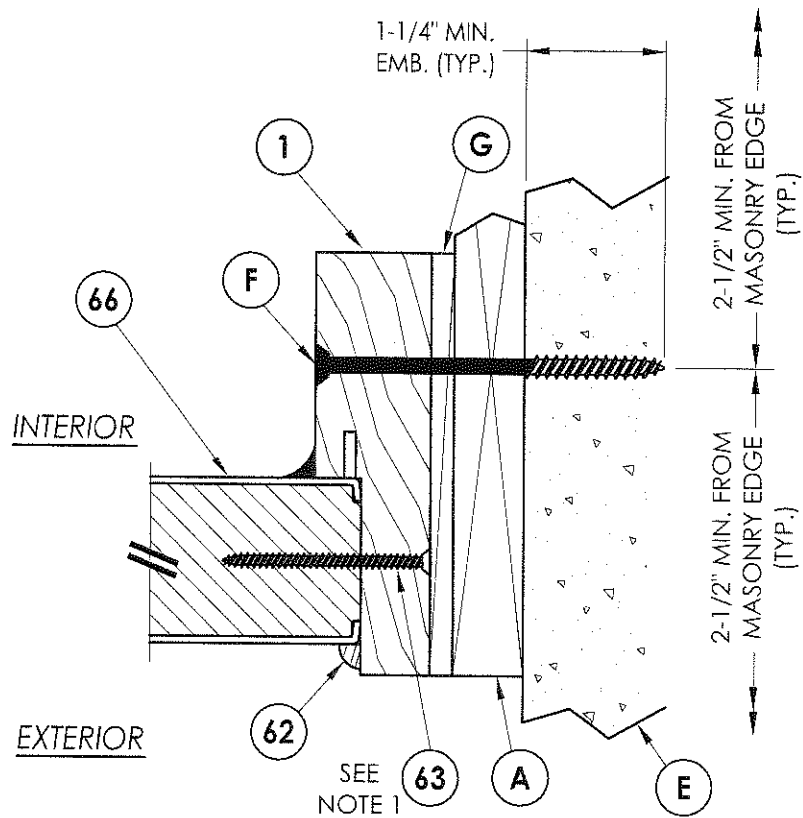
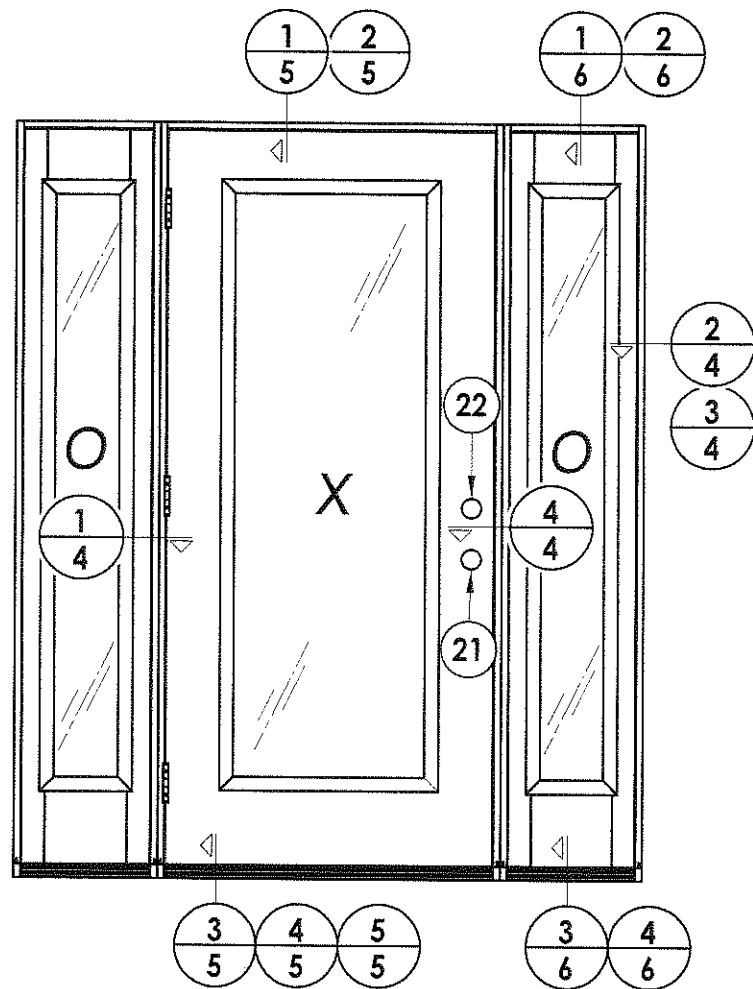
NO.	DATE	BY	REVISIONS

DATE: 5/09/08
 SCALE: N.T.S.
 DWG. BY: YV
 CHK. BY: WWH
 DRAWING NO.: FL-11165.5
 SHEET 2 OF 10

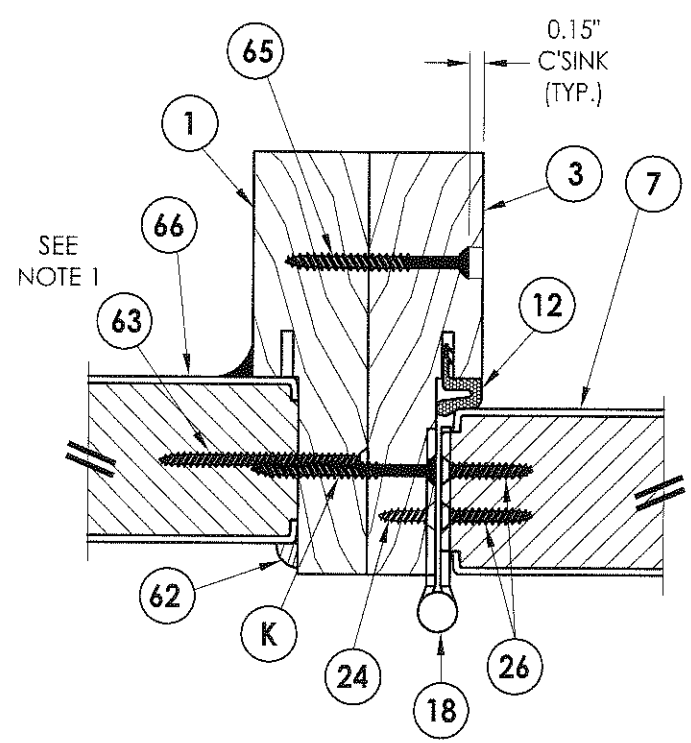
Documents Prepared By:
 R.W. BUILDING CONSULTANTS, INC.
 P.O. Box 230 Valrico FL 33595
 Phone No.: 813.659.9197
 Florida Board of Professional Engineers
 Certificate Of Authorization No. 9813
 Wendell W. Haynes P.E. No. 54158

NOTE:

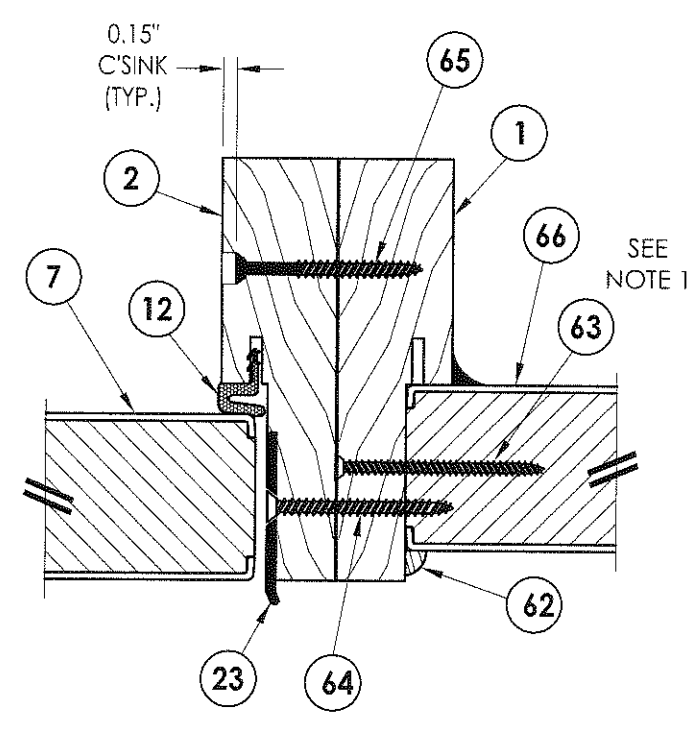
- 1. Sidelite ass'y fastener; 6" from each end and 4 more screws equally spaced between. (6 screws total per jamb.)



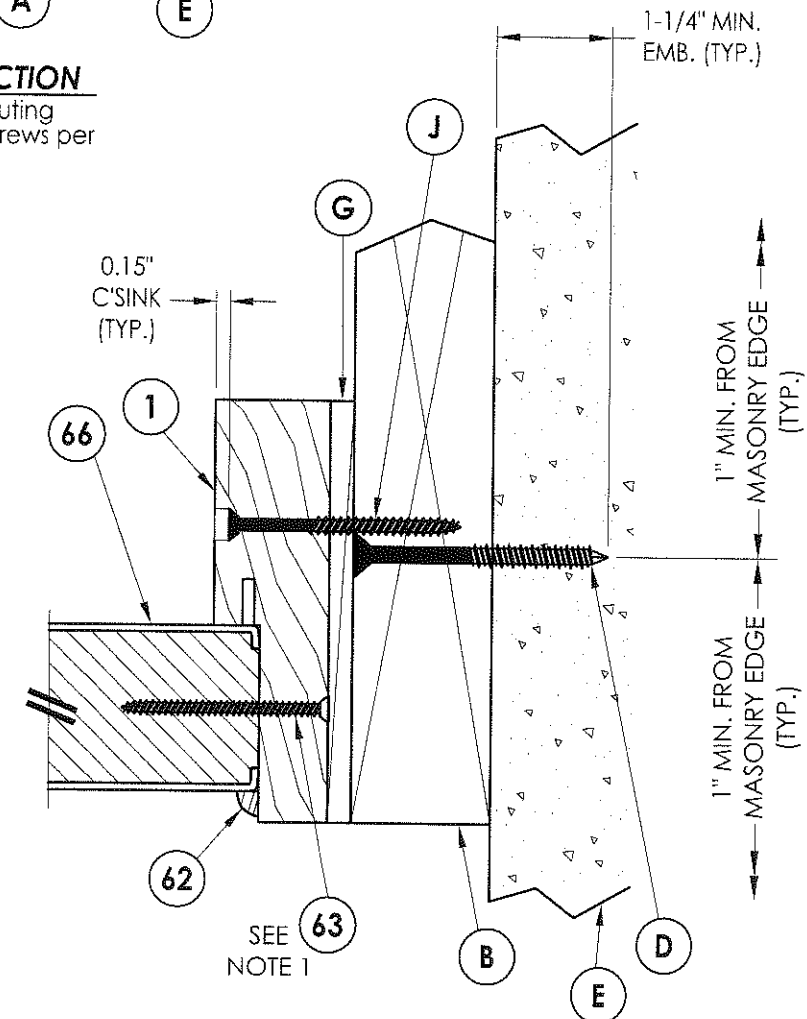
3 HORIZONTAL CROSS SECTION
 4 Shown w/1X sub-buck substituting concrete screws for wood screws per Section 1714.5.4.2 of the FBC



1 HORIZONTAL CROSS SECTION
 4 Outswing shown
 Inswing also approved



4 HORIZONTAL CROSS SECTION
 4 Outswing shown
 Inswing also approved



2 HORIZONTAL CROSS SECTION
 4 Outswing shown
 Inswing also approved

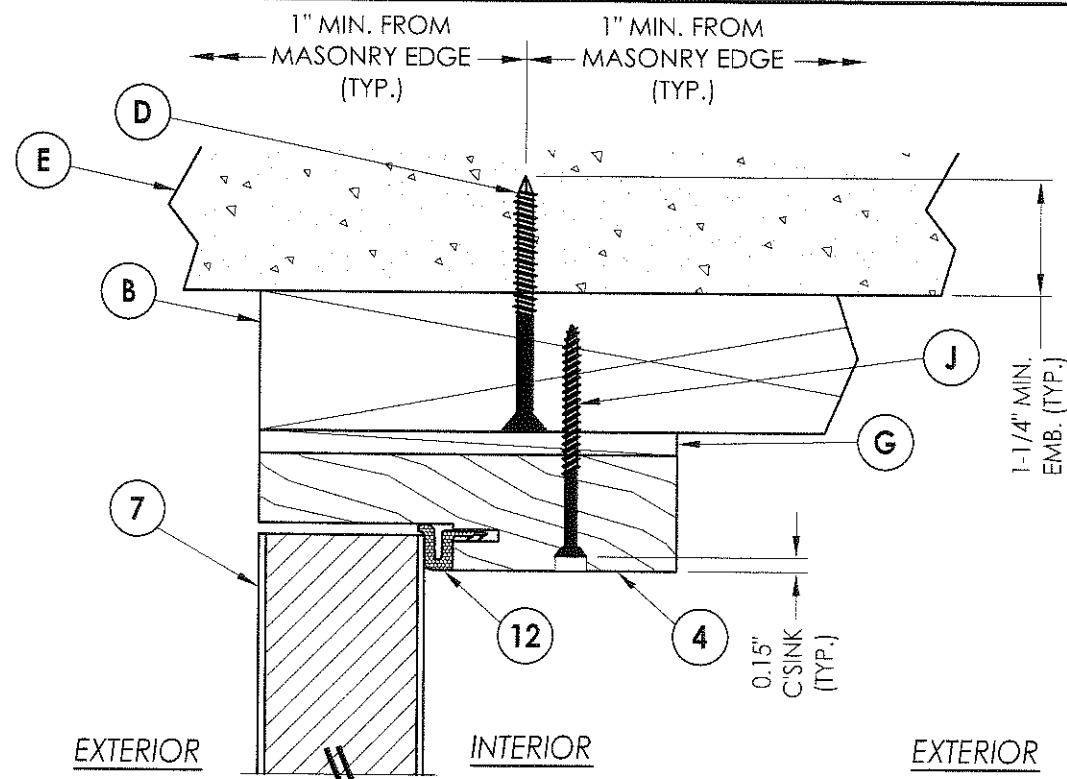
Documents Prepared By:
RW BUILDING CONSULTANTS, INC.
 P.O. Box 230 Valrico FL 33595
 Phone No.: 813.659.9197
 Florida Board of Professional Engineers
 Certificate Of Authorization No. 9813
Wendell W. Haney P.E. B-1-08
 Wendell W. Haney, P.E. No. 54158

PRODUCT: TRINITY GLASS INT'L PREMIUM LIPLITE FIBERGLASS
 PART OR ASSEMBLY: HORIZONTAL CROSS SECTION

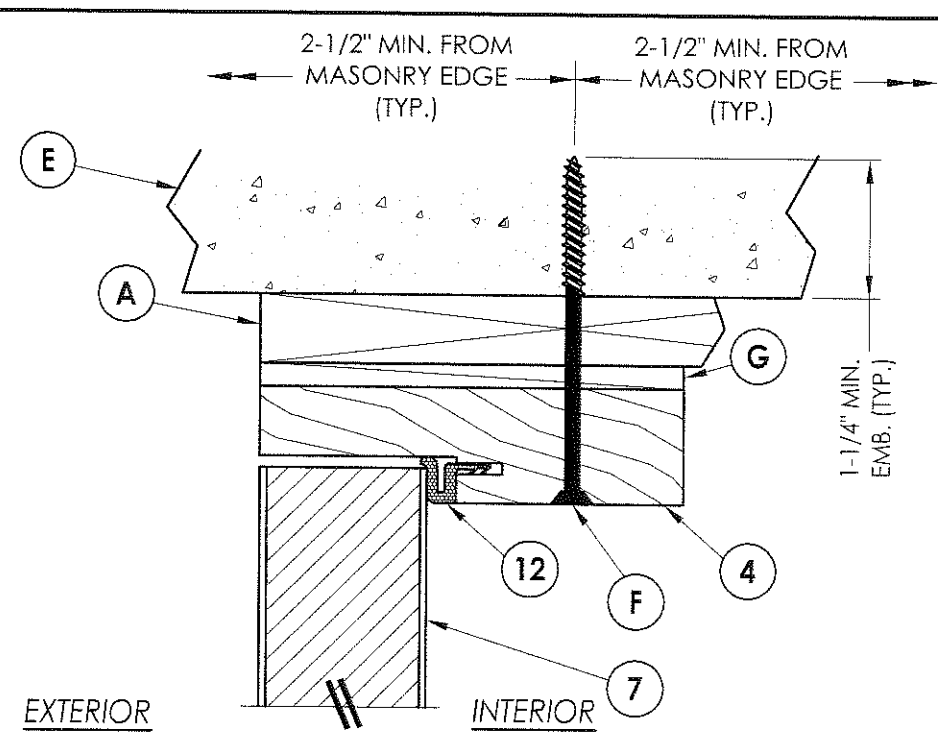
NO.	DATE	BY	REVISIONS

DATE: 5/09/08
 SCALE: N.T.S.
 DWG. BY: YV
 CHK. BY: WWH
 DRAWING NO.: FL-11165.5
 SHEET 4 OF 10

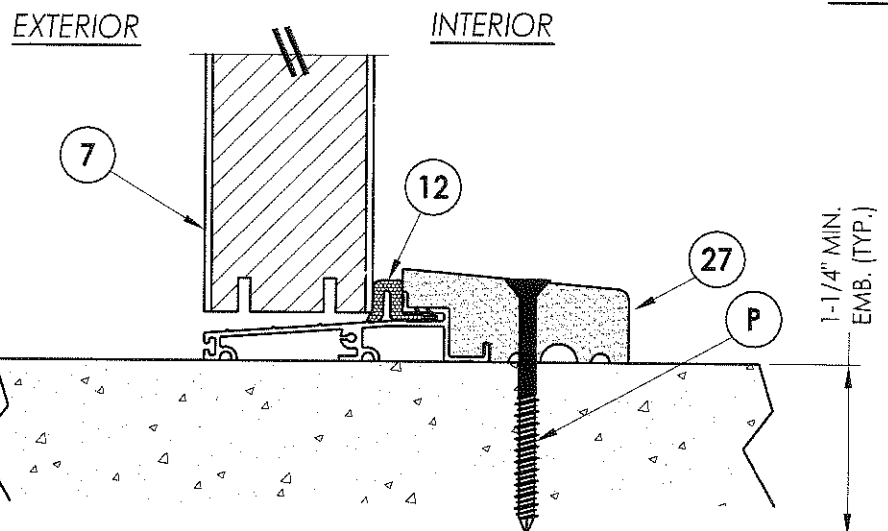
K:\VA - Project\Project Folders\Proj 1101 - 1200\pr1121\10 - RWBC Drawings\FL-11165\FL-11165.1-7.dwg, Model



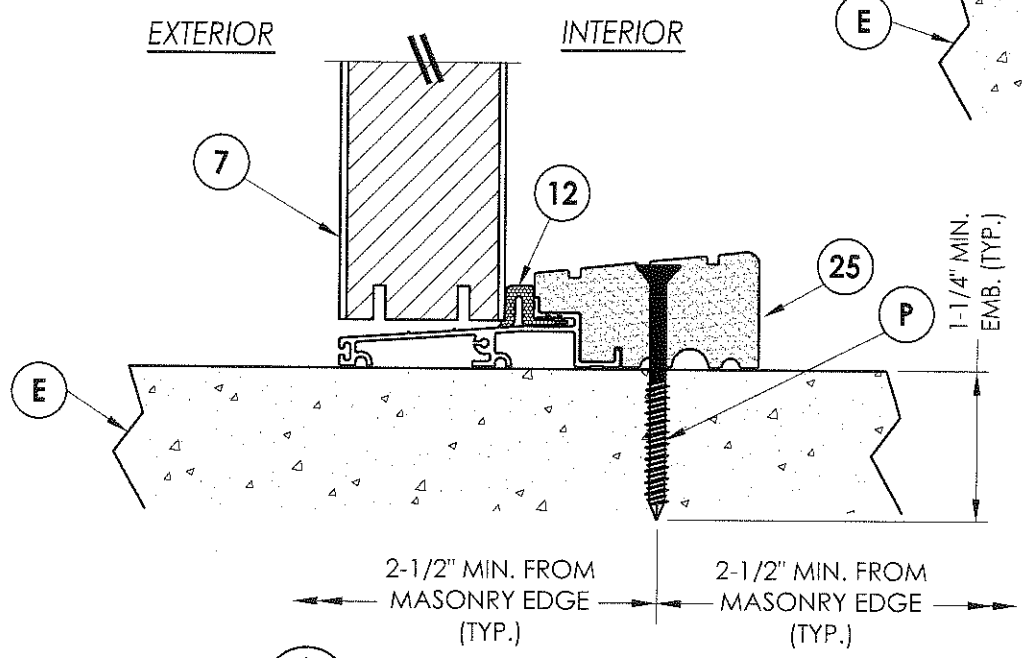
1 VERTICAL CROSS SECTION
5 Outswing shown
 Inswing also approved



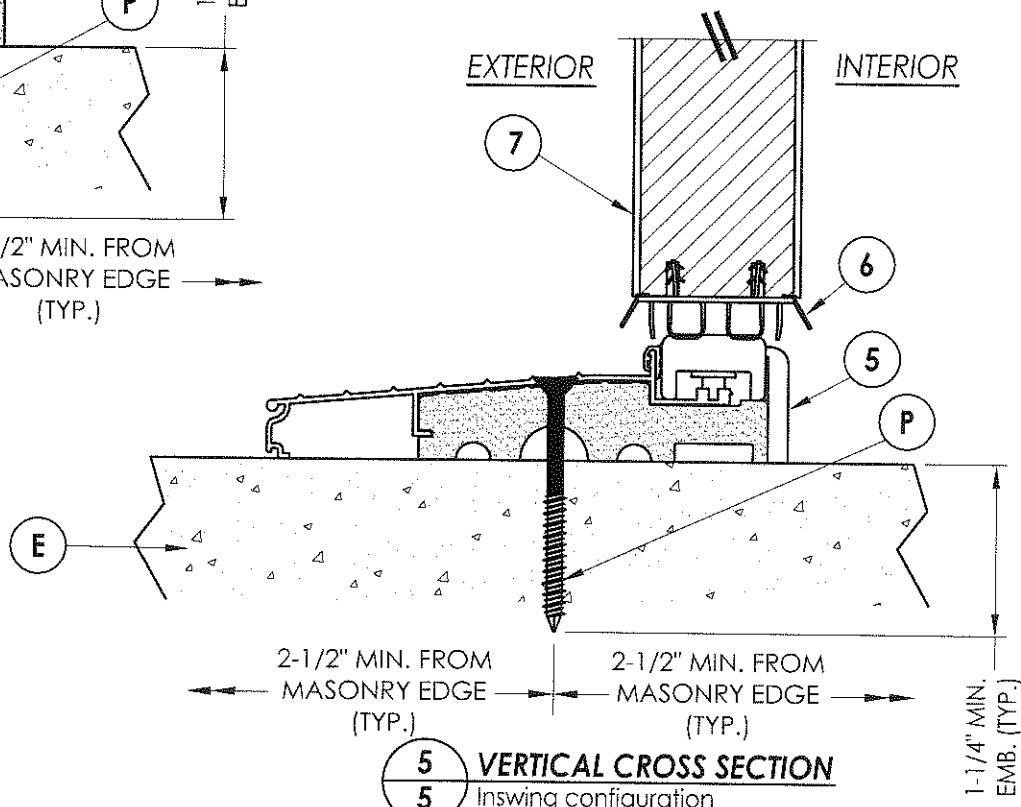
2 VERTICAL CROSS SECTION
5 Shown w/1X sub-buck substituting concrete screws for wood screws per Section 1714.5.4.2 of the FBC



4 VERTICAL CROSS SECTION
5 Outswing configuration see general notes, sheet 1 for "HVHZ" water infiltration requirements



3 VERTICAL CROSS SECTION
5 Outswing configuration see general notes, sheet 1 for "HVHZ" water infiltration requirements



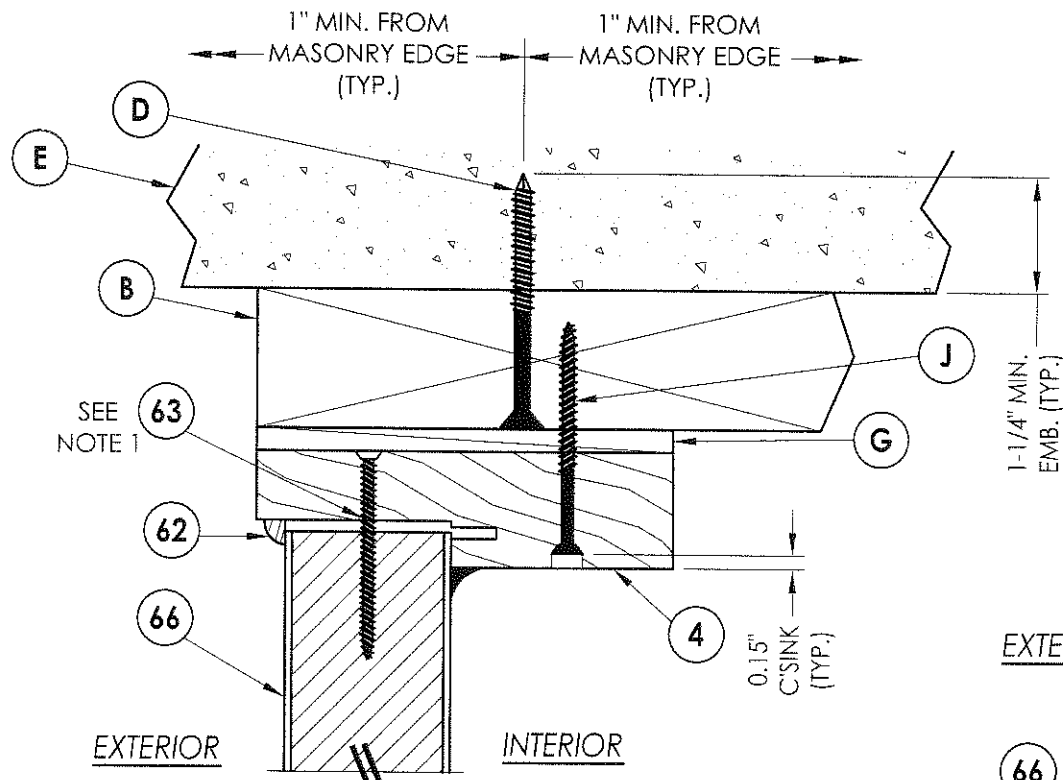
5 VERTICAL CROSS SECTION
5 Inswing configuration see general notes, sheet 1 for "HVHZ" water infiltration requirements

Documents Prepared By:
RW BUILDING CONSULTANTS, INC.
 P.O. Box 230 Valrico FL 33595
 Phone No.: 813.659.9197
 Florida Board of Professional Engineers
 Certificate Of Authorization No. 9813
Wendell W. Haney P.E.
 No. 54158

PRODUCT: TRINITY GLASS INT'L PREMIUM LIPLITE FIBERGLASS
 PART OR ASSEMBLY: VERTICAL CROSS SECTIONS

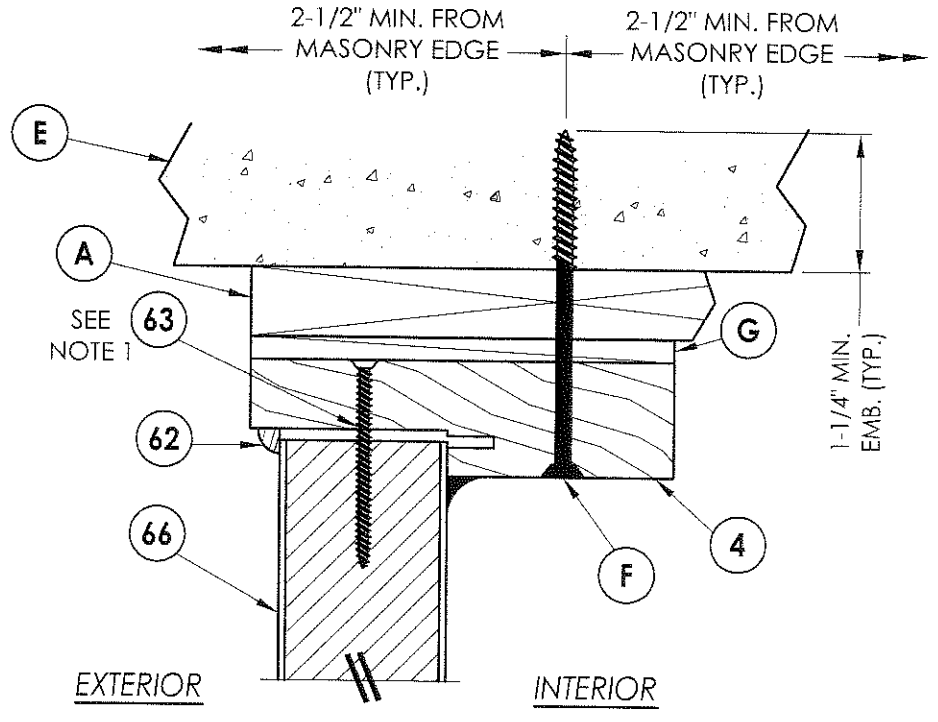
NO.	DATE	BY

DATE: 5/09/08
 SCALE: N.T.S.
 DWG. BY: YV
 CHK. BY: WWH
 DRAWING NO.: FL-11165.5
 SHEET 5 OF 10

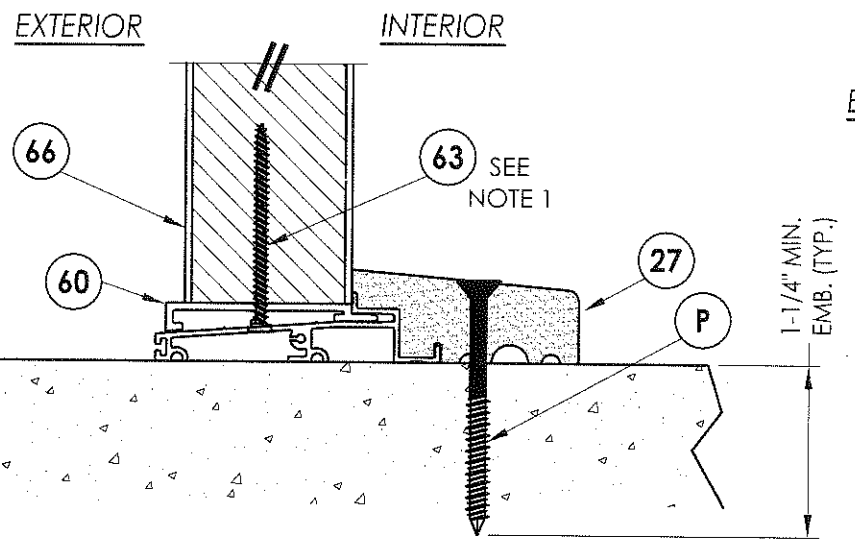


1
6 VERTICAL CROSS SECTION

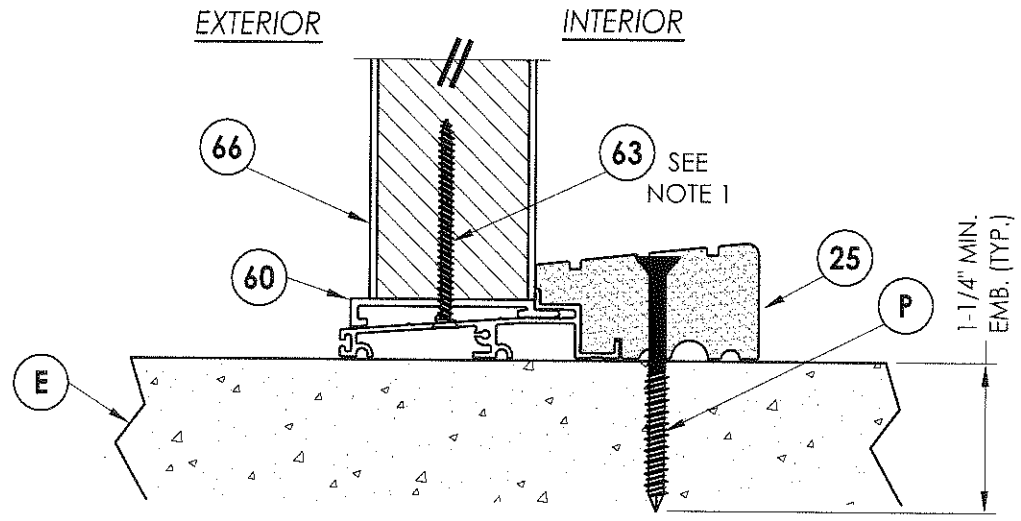
NOTE:
1. Screws thru head and sill jamb located 3" from each end and on center line.



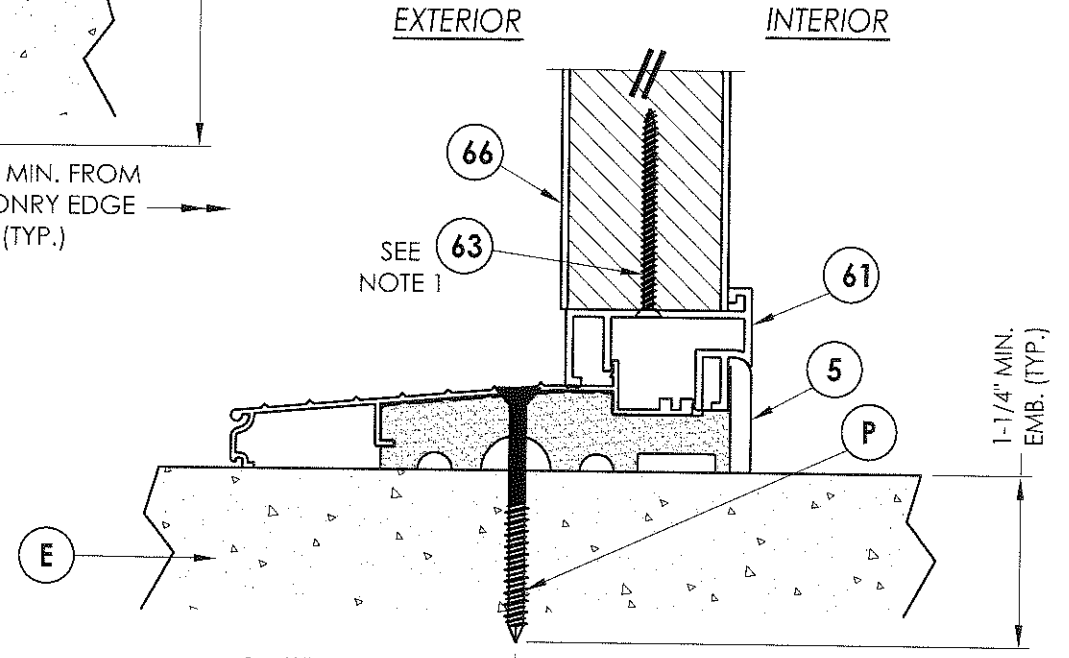
2
6 VERTICAL CROSS SECTION
Shown w/1X sub-buck substituting concrete screws for wood screws per Section 1714.5.4.2 of the FBC



4
6 VERTICAL CROSS SECTION
Outswing sill



3
6 VERTICAL CROSS SECTION
Outswing sill - high dam



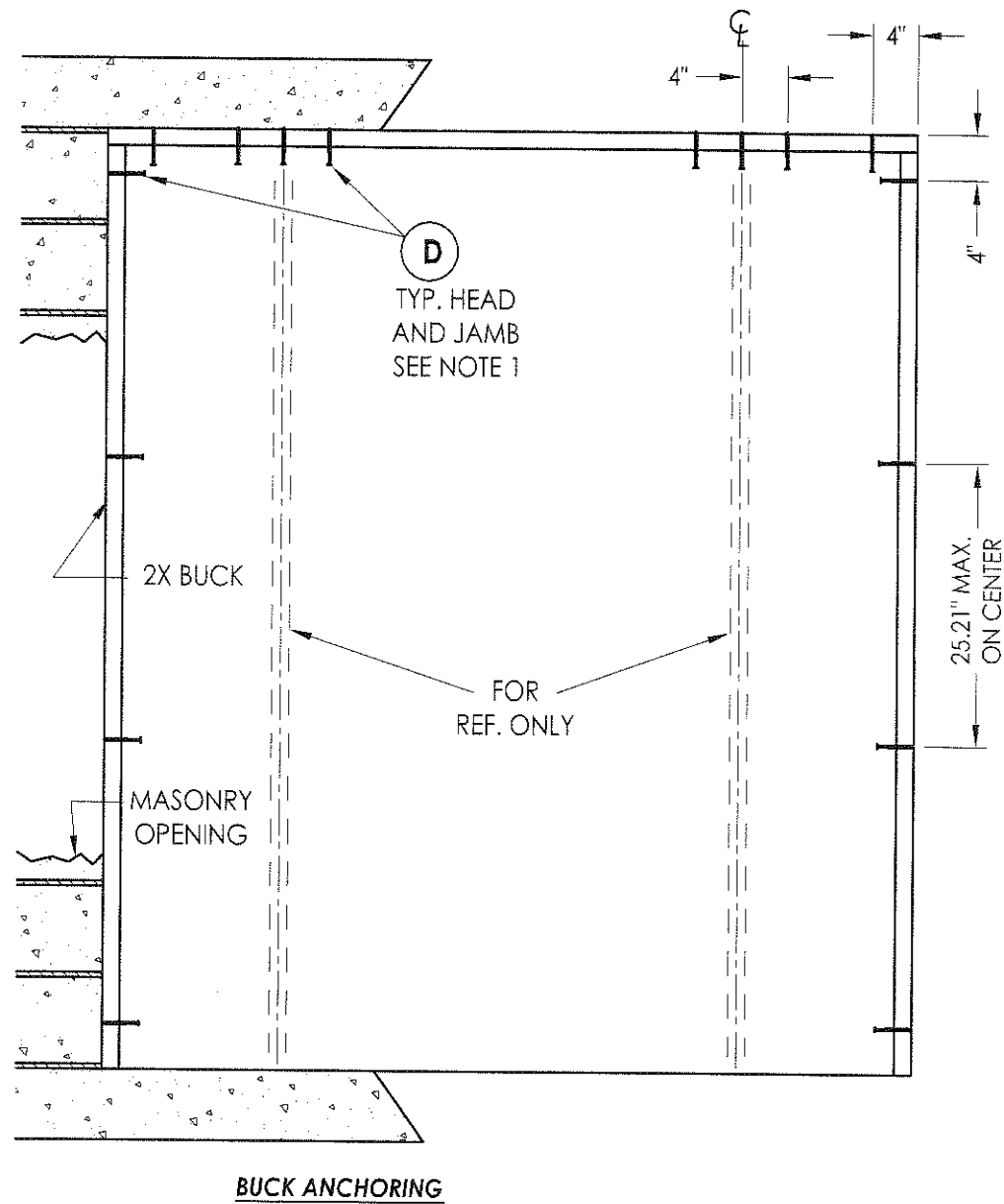
5
6 VERTICAL CROSS SECTION
Inswing sill

Documents Prepared By:
RW BUILDING CONSULTANTS, INC.
P.O. Box 230 Valrico FL 33595
Phone No.: 813.659.9197
Florida Board of Professional Engineers
Certificate of Authorization No. 9813
Wendell W. Harp P.E. No. 54158

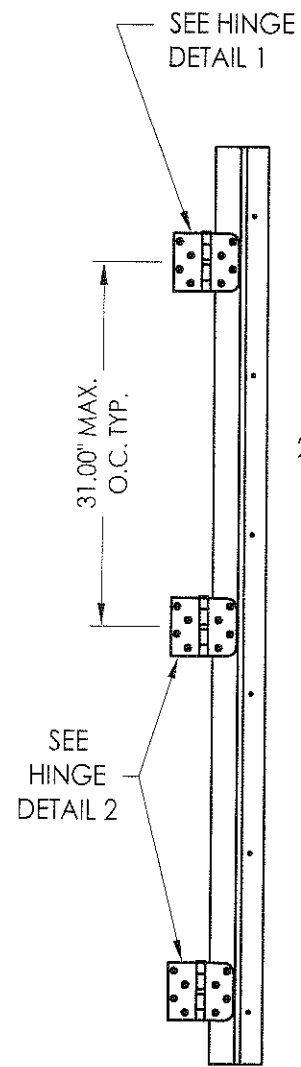
PRODUCT: TRINITY GLASS INT'L PREMIUM LIPLITE FIBERGLASS
PART OR ASSEMBLY: VERTICAL CROSS SECTIONS

NO.	DATE	BY

DATE: 5/09/08
SCALE: N.T.S.
DWG. BY: YV
CHK. BY: WWH
DRAWING NO.: FL-11165.5
SHEET 6 OF 10

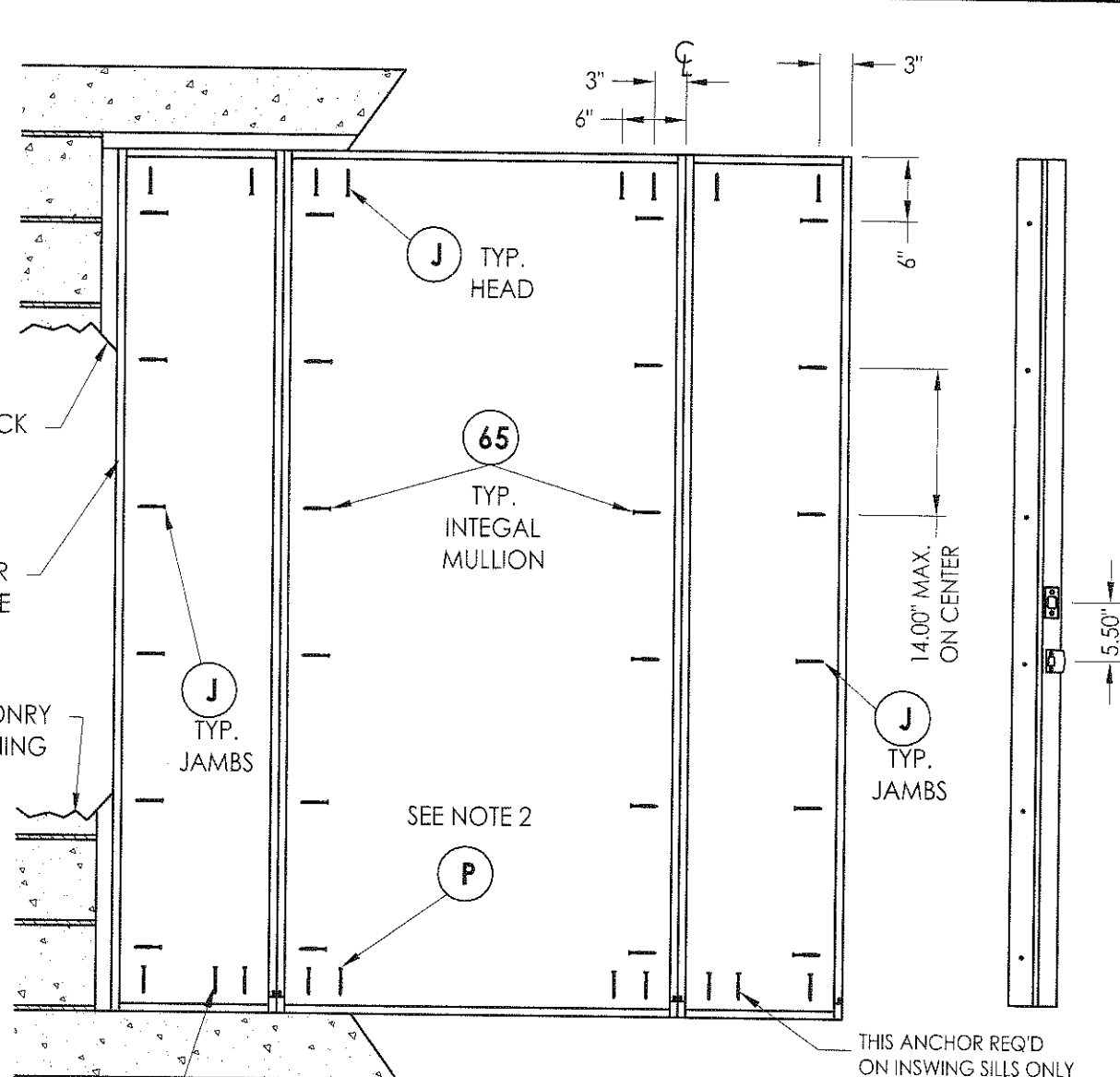


BUCK ANCHORING



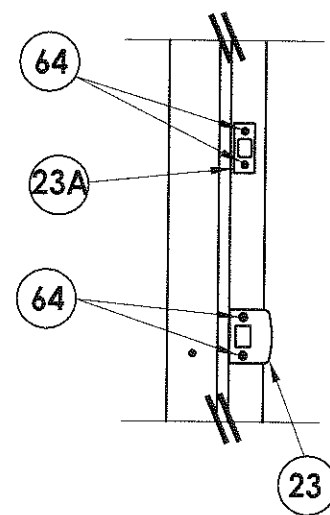
HINGE JAMB

THIS ANCHOR REQ'D ON INSWING SILLS ONLY

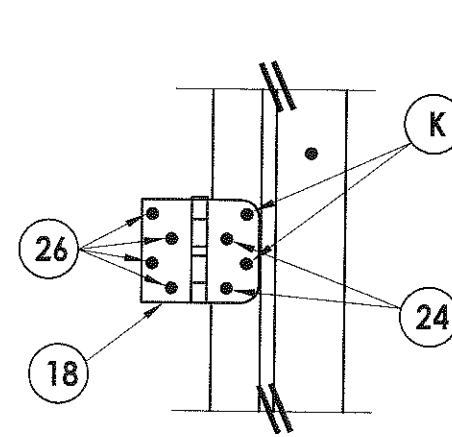


FRAME ANCHORING
Masonry 2X buck construction

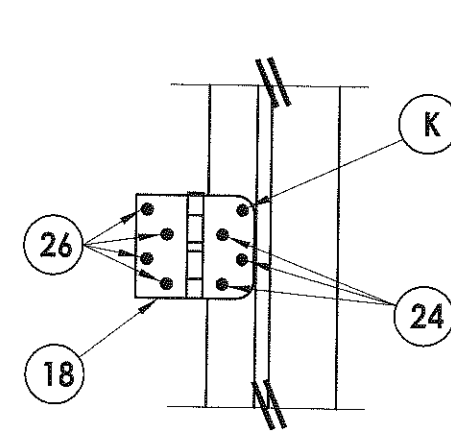
STRIKE JAMB



STRIKE PLATE DETAIL



HINGE DETAIL 1



HINGE DETAIL 2

NOTES:

- 1/4" Elco Concrete screws anchoring 2x buck require a minimum 1" clearance to masonry edges, a 1-1/4" minimum embedment and a minimum 4" clearance to adjacent concrete screws. Substitution of equal concrete screws from a different supplier may have different edge distance and center distance requirements. Concrete screw locations at the corners and mullions may be adjusted to maintain the minimum edge distance to mortar joints. If concrete screw locations noted as "MAX. ON CENTER" must be adjusted to maintain the minimum edge distance to mortar joints, additional concrete screws may be required to ensure the maximum on center dimension is not exceeded.
- 1/4" ITW concrete screws anchoring frame and/or sill require a minimum 2-1/2" clearance to masonry edges, a 1-1/4" minimum embedment and a minimum 3" clearance to adjacent concrete screws. Substitution of equal concrete screws from a different supplier may have different edge distance and center distance requirements. Concrete screw locations at the corners and mullions may be adjusted to maintain the minimum edge distance to mortar joints. If concrete screw locations noted as "MAX. ON CENTER" must be adjusted to maintain the minimum edge distance to mortar joints, additional concrete screws may be required to ensure the maximum on center dimension is not exceeded.

Documents Prepared By:

RW BUILDING CONSULTANTS, INC.
P.O. Box 230 Valrico FL 33595
Phone No.: 813.659.9197
Florida Board of Professional Engineers
Certificate of Authorization No. 9813
Wendell W. Hainey, P.E. No. 54158

PRODUCT:
TRINITY GLASS INT'L
PREMIUM LIPLITE FIBERGLASS

PART OR ASSEMBLY:
BUCK AND FRAME ANCHORING
2X BUCK MASONRY CONSTRUCTION

NO.	DATE	BY	REVISIONS

DATE: 5/09/08

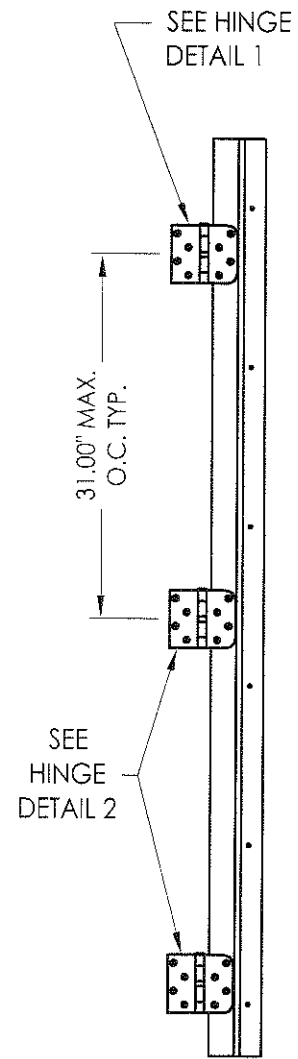
SCALE: N.T.S.

DWG. BY: YV

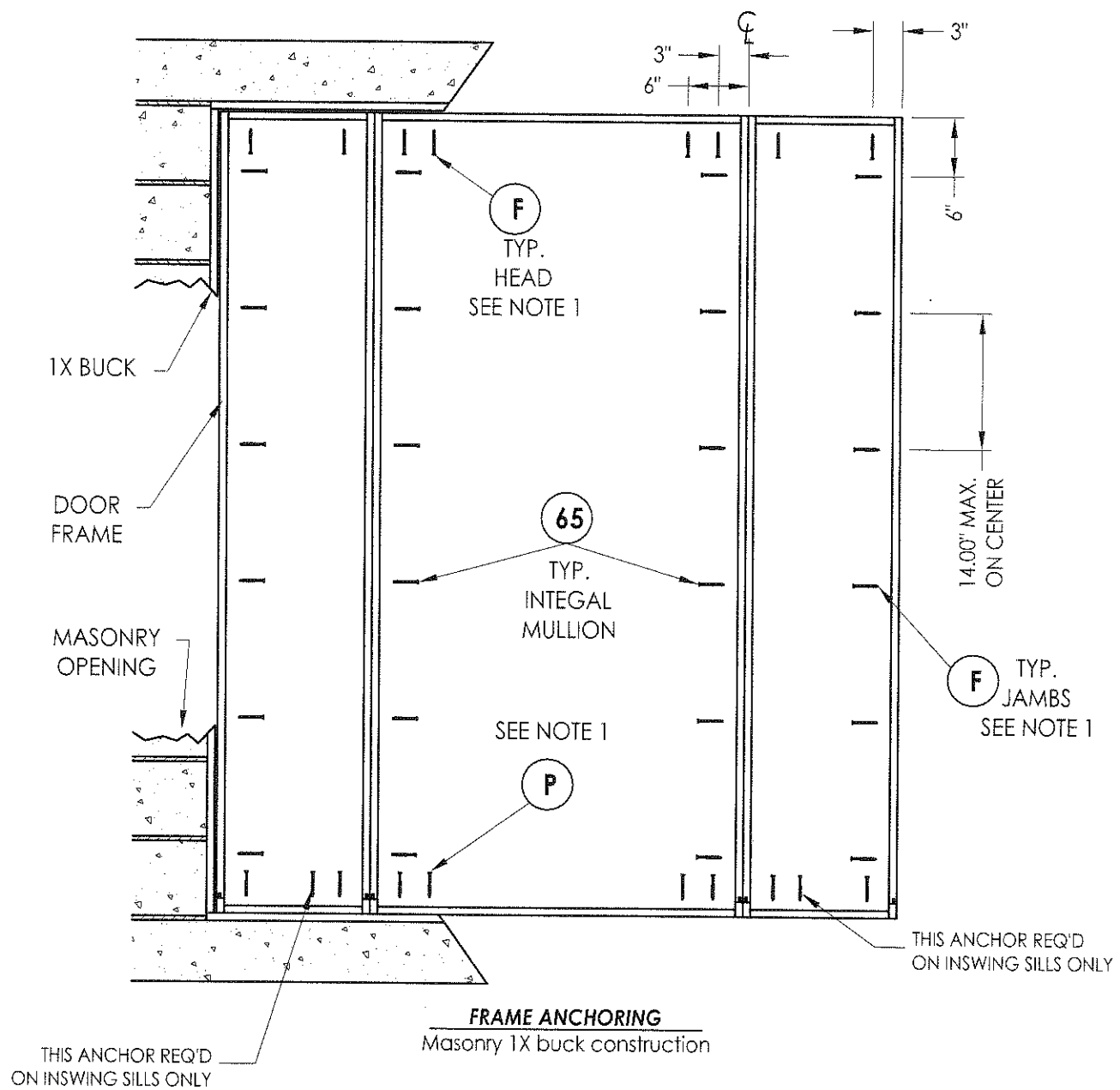
CHK. BY: WWH

DRAWING NO.:
FL-11165.5

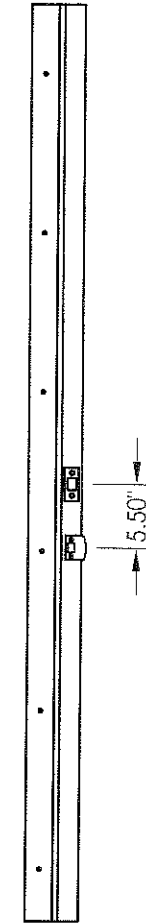
SHEET 7 OF 10



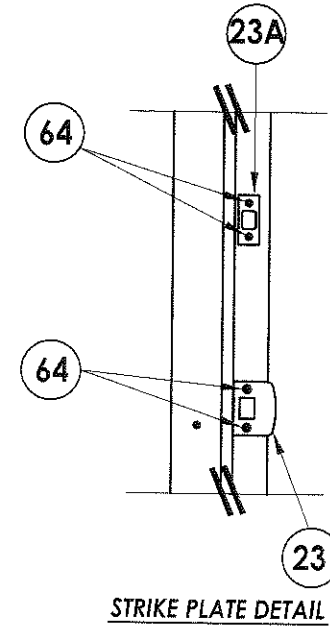
HINGE JAMB



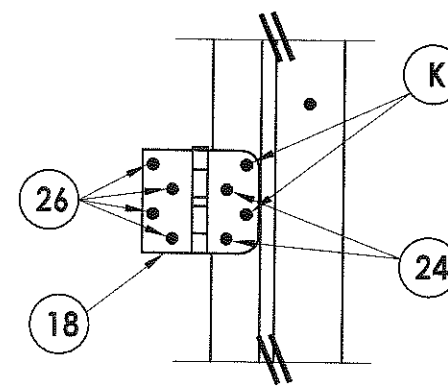
FRAME ANCHORING
Masonry 1X buck construction



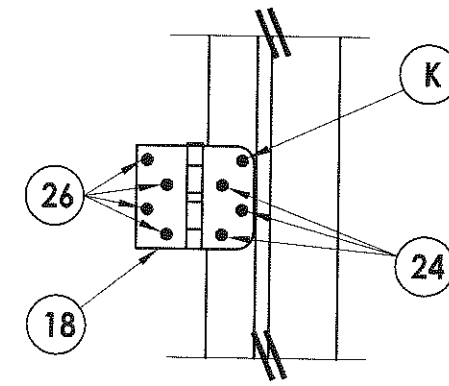
STRIKE JAMB



STRIKE PLATE DETAIL



HINGE DETAIL 1

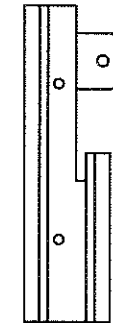
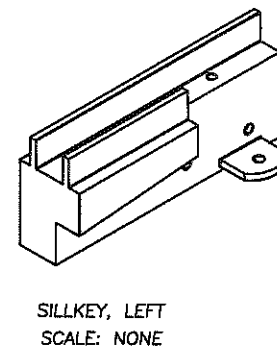
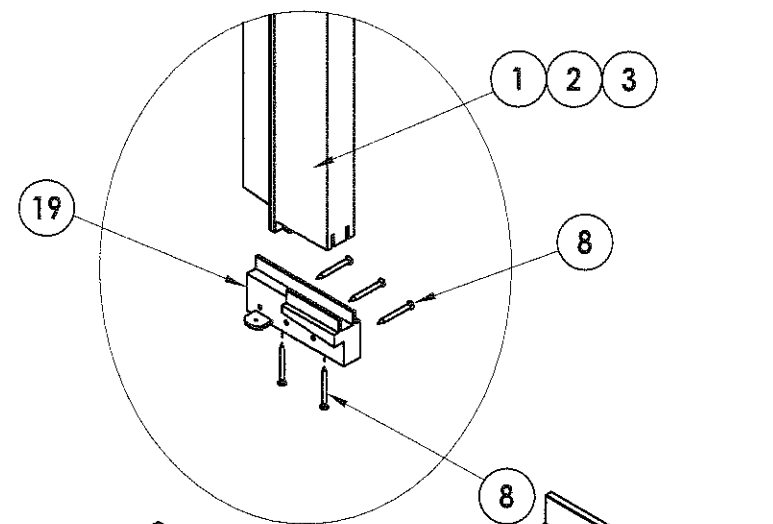
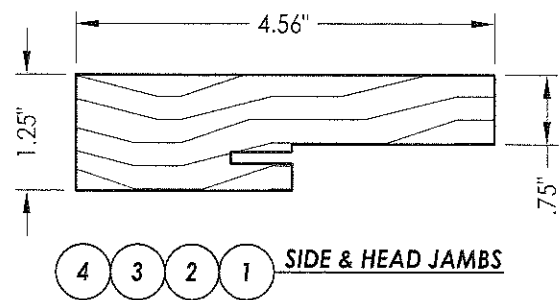
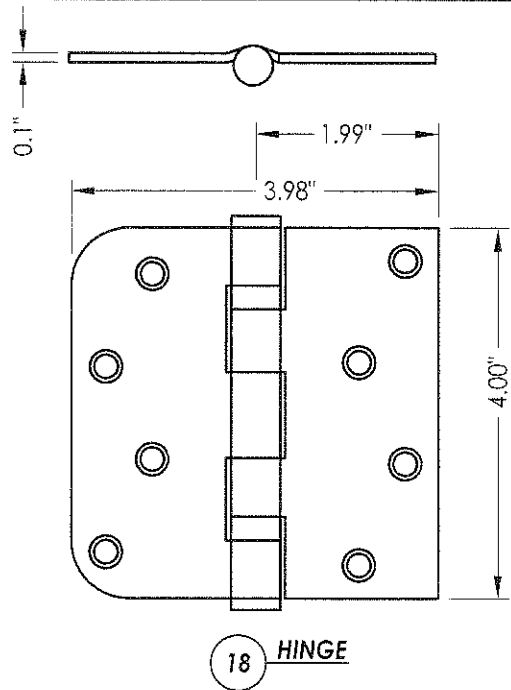


HINGE DETAIL 2

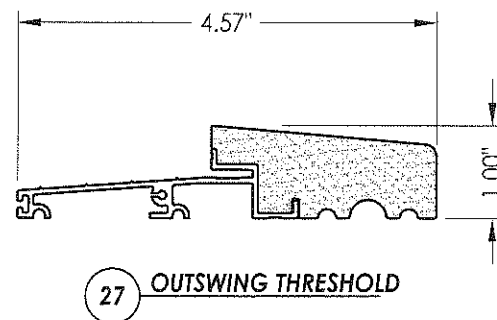
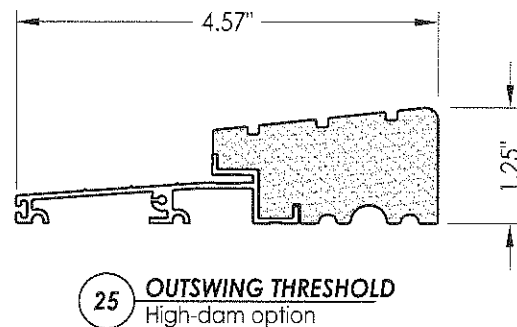
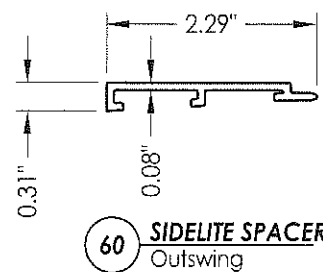
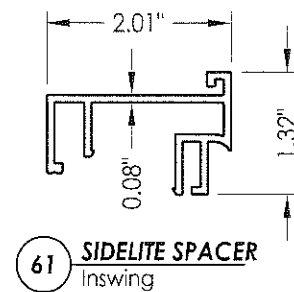
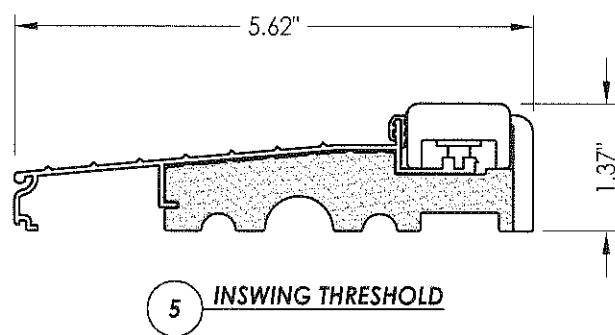
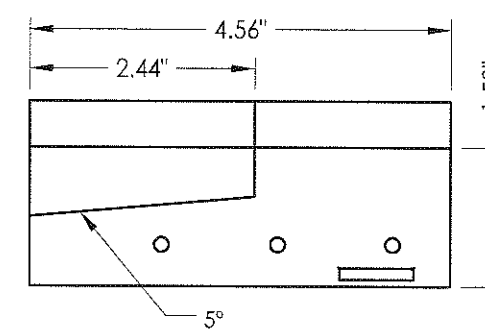
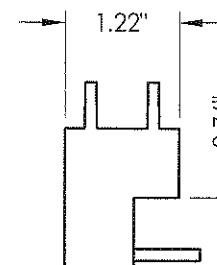
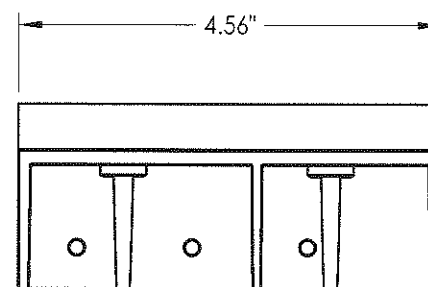
NOTES:

1. 1/4" ITW concrete screws anchoring frame and/or sill require a minimum 2-1/2" clearance to masonry edges, a 1-1/4" minimum embedment and a minimum 3" clearance to adjacent concrete screws. Substitution of equal concrete screws from a different supplier may have different edge distance and center distance requirements. Concrete screw locations at the corners and mullions may be adjusted to maintain the minimum edge distance to mortar joints. If concrete screw locations noted as "MAX. ON CENTER" must be adjusted to maintain the minimum edge distance to mortar joints, additional concrete screws may be required to ensure the maximum on center dimension is not exceeded.

Documents Prepared By: RW BUILDING CONSULTANTS, INC. P.O. Box 230 Valrico FL 33595 Phone No.: 813.659.9197		Florida Board of Professional Engineers Certificate Of Authorization No. 9813 <i>M. W. Hanby, P.E.</i> No. 54158 S-1-08
PRODUCT:	TRINITY GLASS INT'L PREMIUM LIPLITE FIBERGLASS PART OR ASSEMBLY: FRAME ANCHORING 1X BUCK MASONRY CONSTRUCTION	
NO.	DATE	BY
REVISIONS		
DATE:	5/09/08	
SCALE:	N.T.S.	
DWG. BY:	YV	
CHK. BY:	WWH	
DRAWING NO.:	FL-11165.5	
SHEET	8 OF 10	



SILLKEY, RIGHT
SCALE: NONE



Documents Prepared By:

RW BUILDING CONSULTANTS, INC.
P.O. Box 230 Valrico FL 33595
Phone No.: 813.659.9197
Florida Board of Professional Engineers
Certificate Of Authorization No. 9813

Wendell W. Hanley
Wendell W. Hanley, P.E. No. 54158

PRODUCT: TRINITY GLASS INT'L
PREMIUM LIPLITE FIBERGLASS

PART OR ASSEMBLY:
COMPONENTS

NO.	DATE	BY	REVISIONS

DATE: 5/09/08

SCALE: N.T.S.

DWG. BY: YV

CHK. BY: WWH

DRAWING NO.:
FL-11165.5

SHEET 9 OF 10

K:\VA - Projects\Project Holders\Proj 1101 - 1200\PT.1122\U. RWBC Drawings\FL-11165\FL-11165.1-7.dwg, Model

BILL OF MATERIALS			BILL OF MATERIALS		
ITEM	DESCRIPTION	MATERIAL	ITEM	DESCRIPTION	MATERIAL
A	1X BUCK SG >= 0.55	WOOD	39	FIBERGLASS SKIN 0.079" MIN. THICKNESS (Fy = 5,203 PSI MIN.)	FIBERGLASS
B	2X BUCK SG >= 0.55	WOOD	40	#8 X 1-1/8" SELF THREADING SCREW	STEEL
D	1/4" X 2-3/4" ELCO PFH CONCRETE SCREW	STEEL	42	ALUMINUM & BUTYL SPACER SYSTEM	ALUM./BUTYL
E	MASONRY - 3,192 PSI MIN. CONCRETE CONFORMING TO ACI 301 OR HOLLOW BLOCK CONFORMING TO ASTM C90	CONCRETE	44	HOT MELT SEALANT / SILICONE	-
F	1/4" X 3-3/4" ITW PFH CONCRETE SCREW	STEEL	45	LITE FRAME	PC/ASA
G	MAX. 1/4" SHIM SPACE	WOOD	46	FOAM CORE	POLYURETHANE
J	#10 X 2-1/2" PFH WS	STEEL	60	SIDELITE SPACER - OUTSWING	PVC
K	#9 X 2" PFH WS	STEEL	61	SIDELITE SPACER - INSWING	PVC
P	1/4" X 2-3/4" ITW PFH CONCRETE SCREW	STEEL	62	QUARTER ROUND	WOOD
1	SIDELITE JAMB - FINGER-JOINT PINE - SG >= 0.42	WOOD	63	#8 X 2-1/4" PFH SCREW	STEEL
2	STRIKE JAMB - FINGER-JOINT PINE - SG >= 0.42	WOOD	64	#8 X 2" PFH SCREW	STEEL
3	HINGE JAMB - FINGER-JOINT PINE - SG >= 0.42	WOOD	65	#10 X 2" PFH SCREW	STEEL
4	HEAD - FINGER-JOINT PINE - SG >= 0.42	WOOD	66	SIDELITE PANEL - SEE SIDELITE PANEL DETAIL SHEET FOR CONSTRUCTION DETAILS	-
5	INSWING THRESHOLD ALUMINUM W/ COMPOSITE SUBSTRATE	ALUMINUM	73	LVL SIDELITE TOP RAIL (FULL LITE)	POPLAR
6	DOOR BOTTOM SWEEP	PVC	74	LVL SIDELITE BOTTOM RAIL (FULL LITE)	POPLAR
7	DOOR PANEL - SEE DOOR PANEL DETAIL SHEET FOR CONSTRUCTION DETAILS	-	75	LVL SIDELITE STILE (FULL LITE)	POPLAR
8	#6 X 1-1/4" PFH DRYWALL SCREW	STEEL			
12	WEATHER STRIP QEBD650 Q-LON	-			
18	3.983" X 4.0" HINGE MIN 0.098" THICK	STEEL			
19	SILLKEY	PC/ASA			
21	KWIKSET LOCK -SERIES 200 PASSAGE	STEEL			
22	KWIKSET DEADBOLT -SERIES 600	STEEL			
23	STRIKE PLATE	STEEL			
23A	DEADBOLT PLATE	STEEL			
24	#9 X 5/8" PFH SCREW	STEEL			
25	OUTSWING HIGH-DAM THRESHOLD ALUMINUM W/ COMPOSITE SUBSTRATE	ALUM./ COMP.			
26	#9 X 1" PFH SCREW	STEEL			
27	OUTSWING THRESHOLD ALUMINUM W/ COMPOSITE SUBSTRATE	ALUM./ COMP.			
30	LATCH STILE - SG >= 0.42	LVL/PVC			
31	LVL LOCK BLOCK	POPLAR			
32	HINGE STILE - SG >= 0.42	LVL/PVC			
33	TOP RAIL - POPLAR LVL & WPC COMBINATION	POPLAR/WPC			
34	BOTTOM RAIL - POPLAR LVL & WPC COMBINATION	POPLAR/WPC			

Documents Prepared By:
RW BUILDING CONSULTANTS, INC.
 P.O. Box 230 Valrico FL 33595
 Phone No.: 813.659.9197
 Florida Board of Professional Engineers
 Certificate of Authorization No. 9813
Wendell W. Horner
 Wendell W. Horner, P.E. No. 54158

PRODUCT:
 TRINITY GLASS INT'L
 PREMIUM LIPLITE FIBERGLASS
 PART OR ASSEMBLY:
 BILL OF MATERIALS

NO.	DATE	BY	REVISIONS

DATE: 5/09/08
 SCALE: N.T.S.
 DWG. BY: YV
 CHK. BY: WWH
 DRAWING NO.: FL-11165.5
 SHEET 10 OF 10